



■ Features :

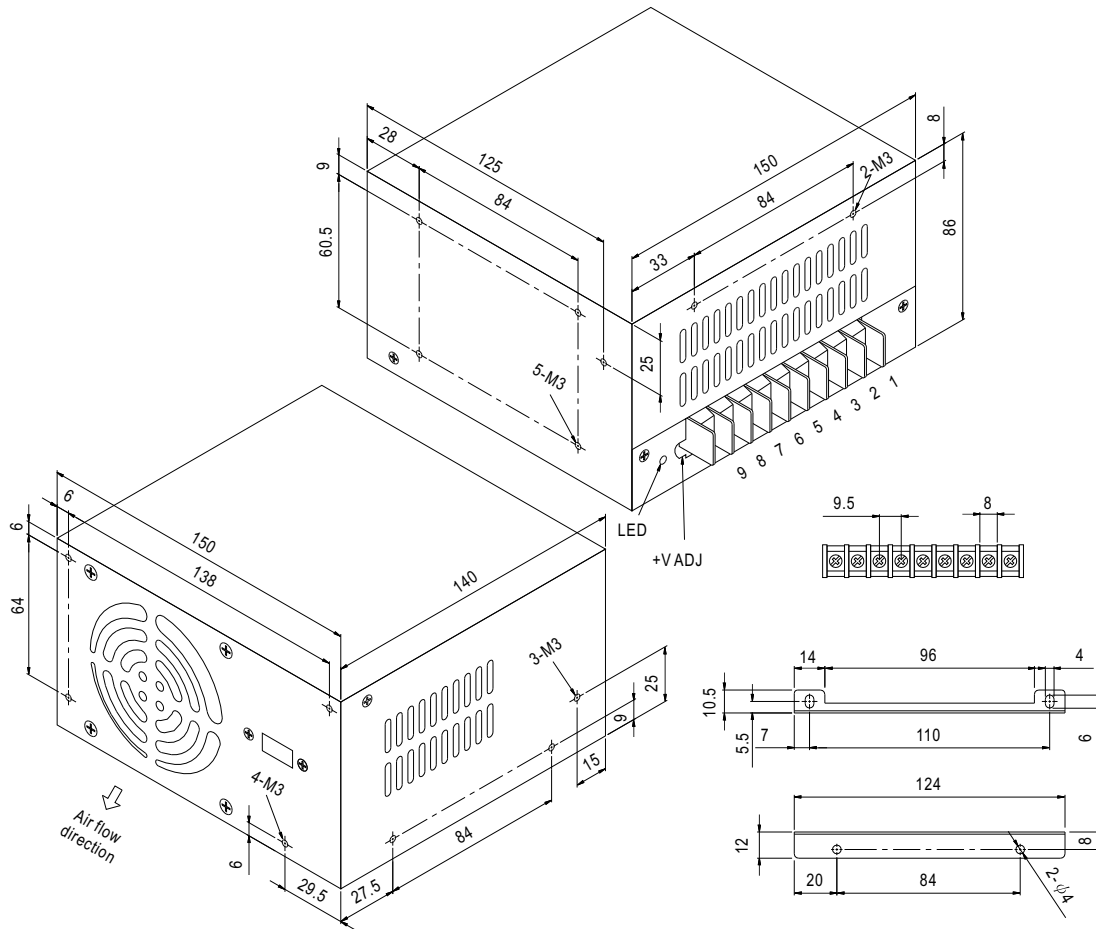
- AC input range selected by switch
- Protections: Short circuit/Over load
- Forced air cooling by built-in DC ball bearing fan
- LED indicator for power on
- Fixed switching frequency at 25KHz
- 1 year warranty

**SPECIFICATION**

MODEL	S-200-5	S-200-12	S-200-15	S-200-24	S-200-27	
OUTPUT	DC VOLTAGE	5V	12V	15V	24V	27V
	RATED CURRENT	40A	16.5A	13.3A	8.5A	7.4A
	CURRENT RANGE	0 ~ 40A	0 ~ 16.5A	0 ~ 13.3A	0 ~ 8.5A	0 ~ 7.4A
	RATED POWER	200W	200W	200W	204W	200W
	RIPPLE & NOISE (max.) Note.2	180mVp-p	120mVp-p	120mVp-p	120mVp-p	150mVp-p
	VOLTAGE ADJ. RANGE	4.75 ~ 5.5V	10.8 ~ 13.2V	13.5 ~ 16.5V	21.6 ~ 26.4V	26 ~ 32V
	VOLTAGE TOLERANCE Note.3	±2.0%	±1.0%	±1.0%	±1.0%	±1.0%
	LINE REGULATION	±0.5%	±0.5%	±0.5%	±0.5%	±0.5%
	LOAD REGULATION	±1.0%	±0.5%	±0.5%	±0.5%	±0.5%
SETUP, RISE, HOLD TIME	200ms, 80ms, 16ms at full load					
INPUT	VOLTAGE RANGE	85 ~ 132VAC / 176 ~ 264VAC selected by switch		248 ~ 370VDC		
	FREQUENCY RANGE	47 ~ 63Hz				
	EFFICIENCY(Typ.)	75%	79.5%	80%	81.5%	82%
	AC CURRENT	4.2A/115VAC	2.3A/230VAC			
	INRUSH CURRENT(max.)	COLD START 30A/115VAC		60A/230VAC		
	LEAKAGE CURRENT	<2mA / 240VAC				
PROTECTION	OVER LOAD	110 ~ 160% rated output power		105 ~ 150% rated output power		
		Protection type : Shut down on voltage, re-power on to recover.				
ENVIRONMENT	WORKING TEMP.	-10 ~ +60°C (Refer to output load derating curve)				
	WORKING HUMIDITY	20 ~ 90% RH non-condensing				
	STORAGE TEMP., HUMIDITY	-20 ~ +85°C, 10 ~ 95% RH				
	TEMP. COEFFICIENT	±0.03%/°C (0 ~ 50°C)				
	VIBRATION	10 ~ 500Hz, 2G 10min./1cycle, period for 60min. each along X, Y, Z axes				
SAFETY & EMC	SAFETY STANDARDS	Design refer to UL1012				
	WITHSTAND VOLTAGE	I/P-O/P:1.5KVAC		I/P-FG:1.5KVAC		O/P-FG:0.5KVAC
	ISOLATION RESISTANCE	I/P-O/P, I/P-FG, O/P-FG:100M Ohms/500VDC				
	EMI CONDUCTION & RADIATION	Design refer to FCC Part15 J Conduction Class A				
OTHERS	MTBF	301.1K hrs min.		MIL-HDBK-217F (25°C)		
	DIMENSION	150*140*86mm (L*W*H)				
	PACKING	1.25Kg; 8pcs/11Kgs/0.97CUFT				
NOTE	<p>1. All parameters NOT specially mentioned are measured at 230VAC input, rated load and 25°C of ambient temperature.</p> <p>2. Ripple &amp; noise are measured at 20MHz of bandwidth by using a 12" twisted pair-wire terminated with a 0.1uf &amp; 47uf parallel capacitor.</p> <p>3. Tolerance : includes set up tolerance, line regulation and load regulation.</p>					

**Mechanical Specification**

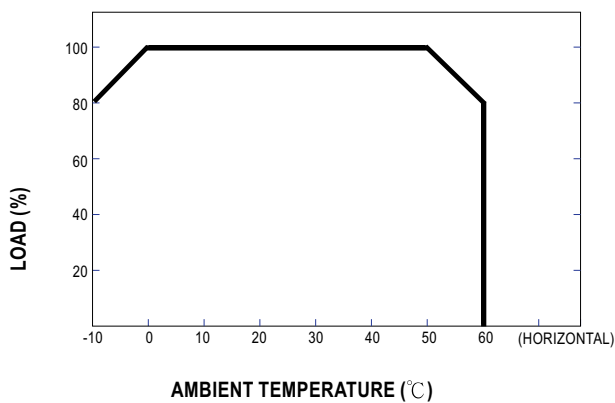
Case No. 907 Unit:mm



Terminal Pin. No Assignment

Pin No.	Assignment	Pin No.	Assignment
1	AC/L	4,5,6	DC OUTPUT -V
2	AC/N	7,8,9	DC OUTPUT +V
3	FG $\perp$		

**Output Derating**



**Static Characteristics (24V)**

