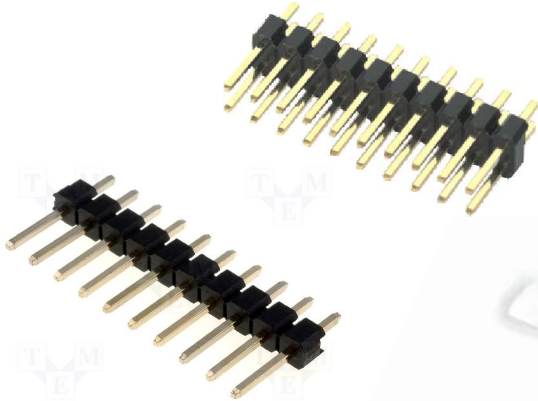


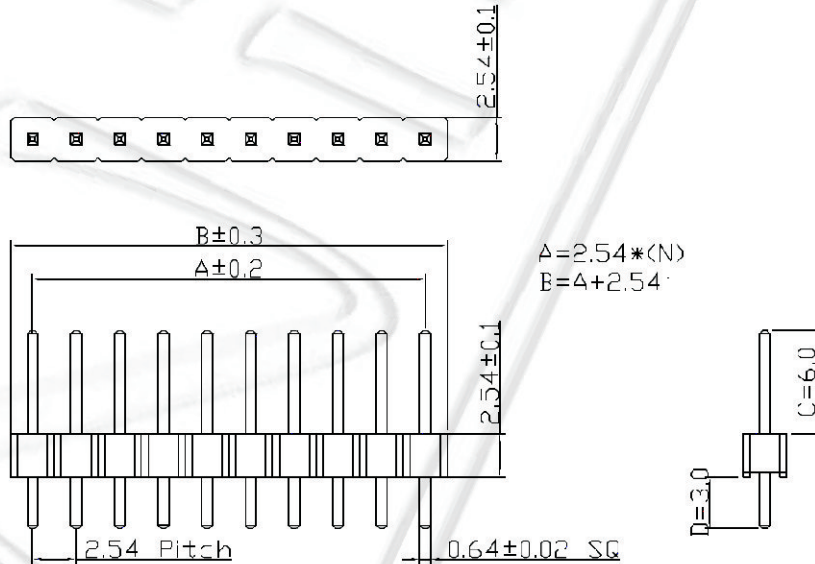
ZL201, ZL202 SERIES 2.54 MM (0.100") STRAIGHT PIN HEADER



Specification:

- 1) To +105° Current Rate: 3 A
- 2) Dielectric Withstanding Voltage: 500 VAC
- 3) Insulation Resistance: 5000 MW
- 4) Temperature: -55°C ~ 105°C
- 5) Insulator: Thermoplastic (UL94V-0)
- 6) Contact: Copper Alloy
- 7) Contact Plated: Gold Flash

| Series No. | No. of Contact (N) |
|------------|--------------------|
| ZL201-10G | 1 x 10 |
| ZL201-20G | 1 x 20 |
| ZL201-36G | 1 x 36 |
| ZL201-40G | 1 x 40 |
| ZL201-50G | 1 x 50 |
| ZL202-20G | 2 x 10 |
| ZL202-40G | 2 x 20 |
| ZL202-80G | 2 x 40 |
| ZL202-100G | 2 x 50 |



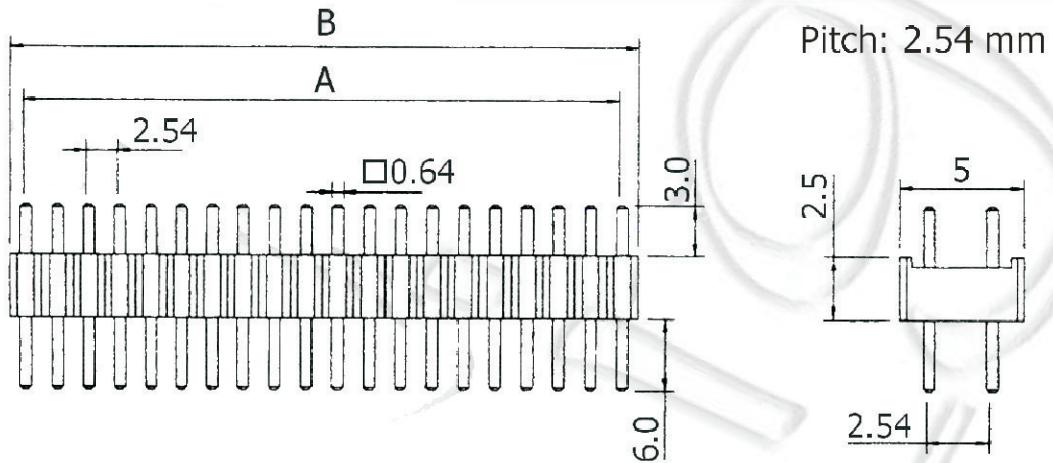
ZL201

All dimensions in mm.

Ninigi

D A T A S H E E T

ZL201, ZL202 SERIES 2.54 MM (0.100") STRAIGHT PIN HEADER



$$A = 2.54 * \left(\frac{N}{2} - 1\right)$$
$$B = 2.54 * \frac{N}{2}$$

All dimensions in mm.

ZL202