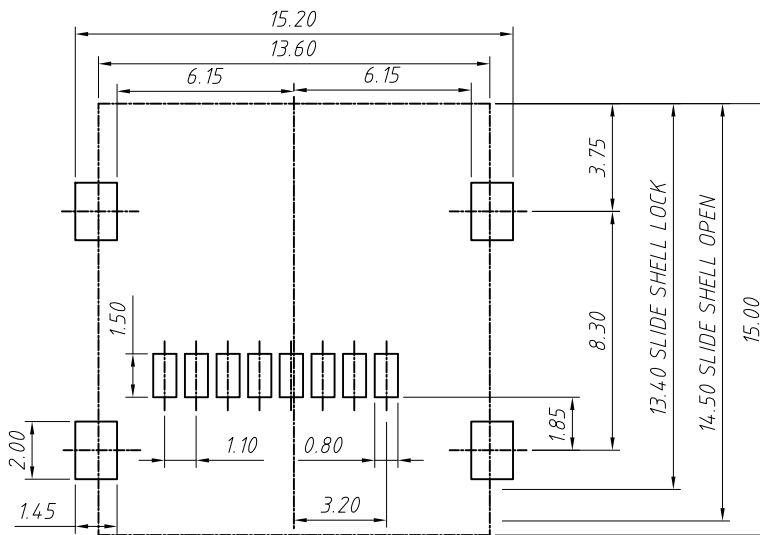
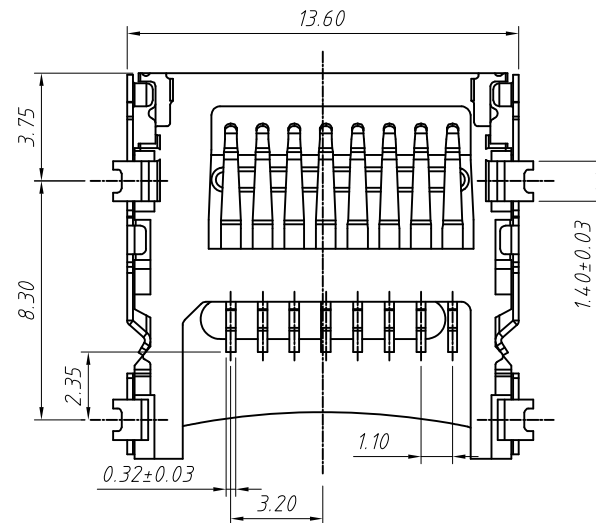


SLIDE SHELL OPEN

SLIDE SHELL LOCK



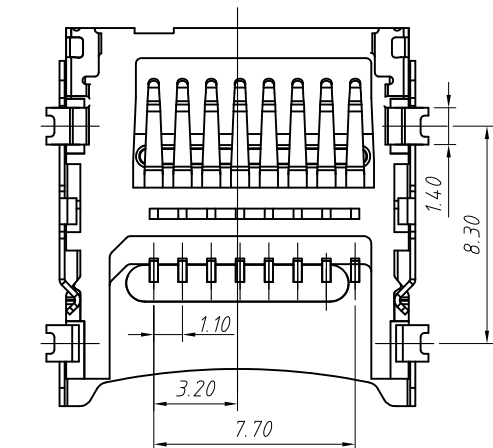
RECOMENDED PCB LAYOUT
TOLERANCK:±0.05

Material:

Housing:High Temperature Thermoplastic,UL 94 V-0.Black.
Terminal:Copper Alloy.
Stator:Copper Alloy.
Shell:Stainless Steel.

Electrical:

Rated current:1.0A
Rated Voltage:30V
Contact Resistance:50mΩ Max.
Insulation Resistance:100MΩ Min./100V DC
Dielectric Withstanding Voltage:100V AC.
Solder ability:245°C ~±5°C ,5±0.5s
Durability:5000 Cycles.
Operating Condition:Temperature:-40°C TO +85°C



GENERAL TOLERANCE		ANGLE TOLERANCE		PROJECTION	Description:	
X. ±0.15		X. ±5°		UNITS	Micro SD Card CONN;HINGED TYPE,H1.5mm	
.X ±0.03		.X ±3°		SHEET SIZE		A4
.XX ±0.05		.XX ±2°			KLS P/N:	L-KLS1-TF-007-H1.5-R
Draw by:	Jenny	Date:	2018-03-10	 NingBo KLS ELECTRONIC CO.,L TD.		
Check by:		Date:	2018-03-10			
SCALE		SHEET	1 OF 1			