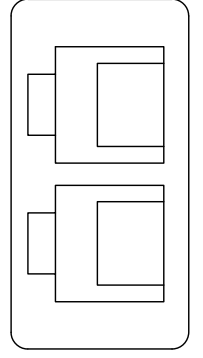
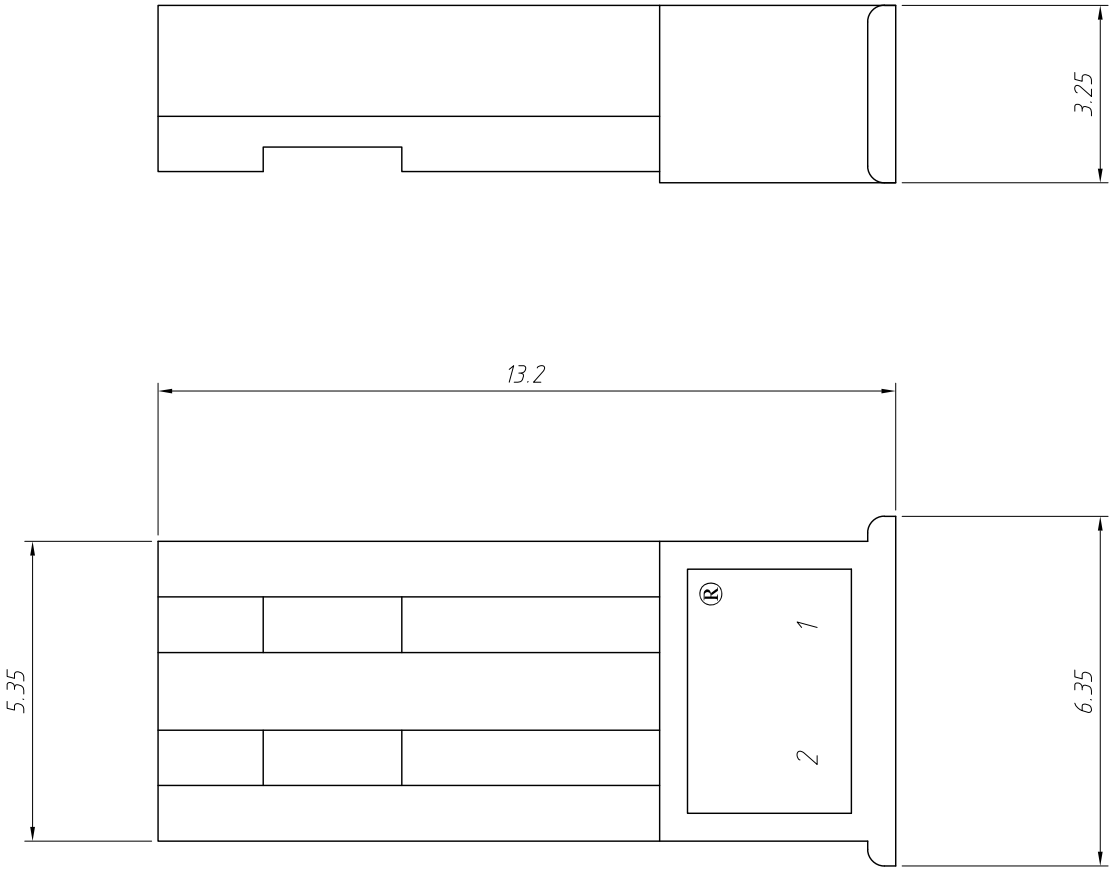
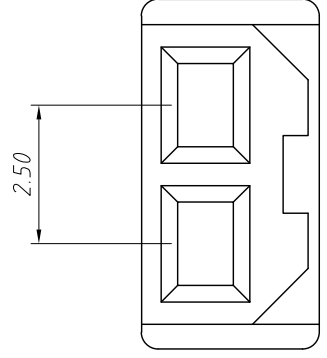


1  
RoHS Compliance

Order Information:  
 L-KLS1-XM2-2.50-XX-FH  
 L: RoHS  
 Pitch: 2.50mm  
 XX-No. of 02~15 pins  
 Type:  
 MH-Male Hosing  
 FH-Female Hosing  
 MT-Male Terminal  
 FT-Female Terminal

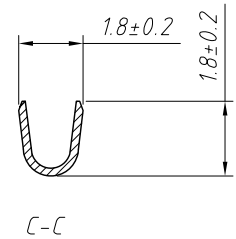
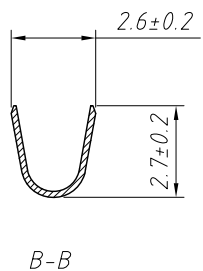
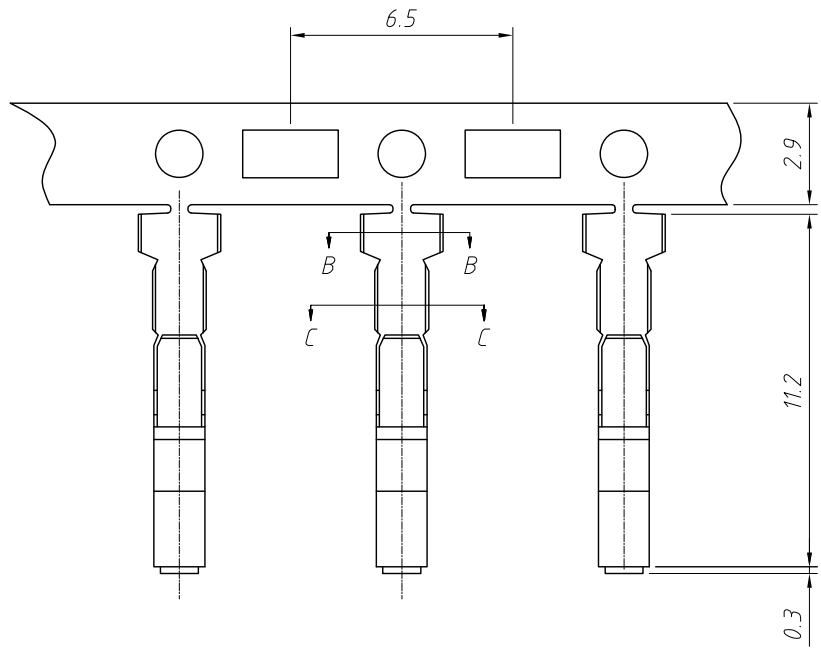
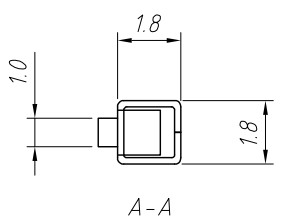
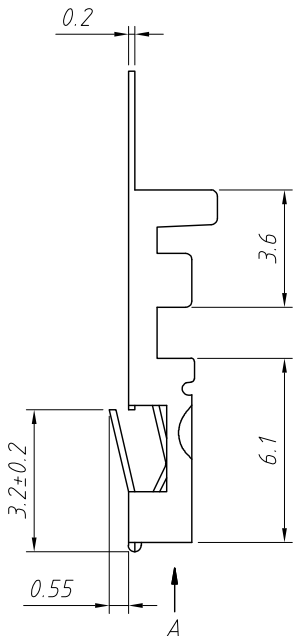


Material:  
 Housing: PA66, UL 94V-0

Electrical Characteristics:  
 Rated Current: 3.0AMP  
 Voltage rating: 250V AC, DC  
 Temperature range: -45°C ~ +105°C  
 Insulator Resistance: 500MΩ Min  
 Withstanding Voltage: 1500V AC/minute  
 Contact Resistance: 20mΩ Max

ANGLE TOLERANCE	PROJECTION	Description:	2.50mm Pitch SYP SYR Type Wire To Wire Connector	
±3°				
GENERAL TOLERANCE	UNITS	mm	KLS P/N: L-KLS1-XM2-2.50-XX-FH	
x.x ±0.30	SHEET SIZE	A4	NingBo KLS ELECTRONIC CO.,L TD.	
x.xx ±0.20	Draw:	Daniel		2021-01-11
x.xxx ±0.10	Check:	Daniel		2021-01-11

1  
RoHS Compliance



**Material:**  
Terminal: Phosphor Bronze  
Plating: Tin plated  
Applicable wires: AWG #22 ~ #28

**Electrical Characteristics:**  
Rated Current: 3.0AMP  
Voltage rating: 250V AC, DC  
Temperature range: -45°C ~ +105°C  
Insulator Resistance: 500MΩ Min  
Withstanding Voltage: 1500V AC/minute  
Contact Resistance: 20mΩ Max

**Order Information:**  
L-KLS1-XM2-2.50-FT  
L: RoHS  
Pitch: 2.50mm  
Type: \_\_\_\_\_  
MH-Male Hosing  
FH-Female Hosing  
MT-Male Terminal  
FT-Female Terminal

ANGLE TOLERANCE	PROJECTION	Description:	2.50mm Pitch SYP SYR Type Wire To Wire Connector
±3°			
GENERAL TOLERANCE	UNITS	mm	KLS P/N: L-KLS1-XM2-2.50-FT
x.x ±0.30	SHEET SIZE	A4	NingBo KLS ELECTRONIC CO.,L TD.
x.xx ±0.20	Draw:	Daniel 2021-01-11	
x.xxx ±0.10	Check:	Daniel 2021-01-11	

1  
RoHS Compliance

2

3

4

5

6

7

8

A

B

C

D

E

F

G

H

A

B

C

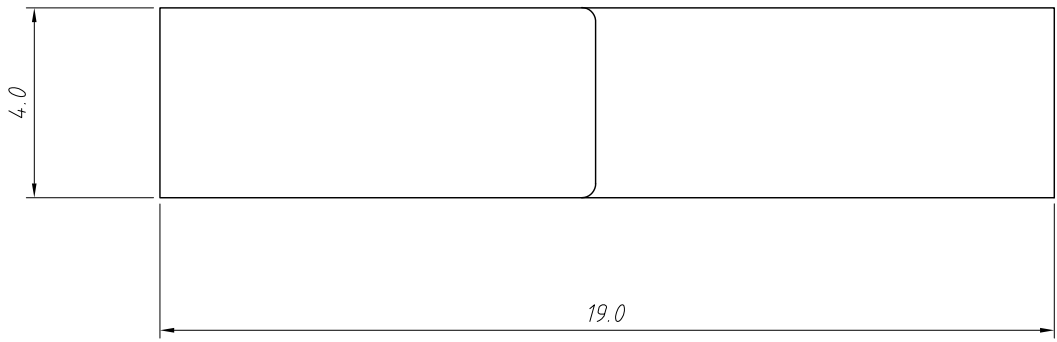
D

E

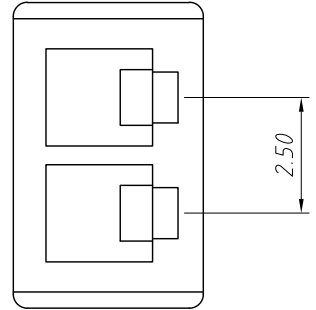
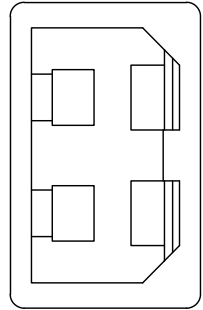
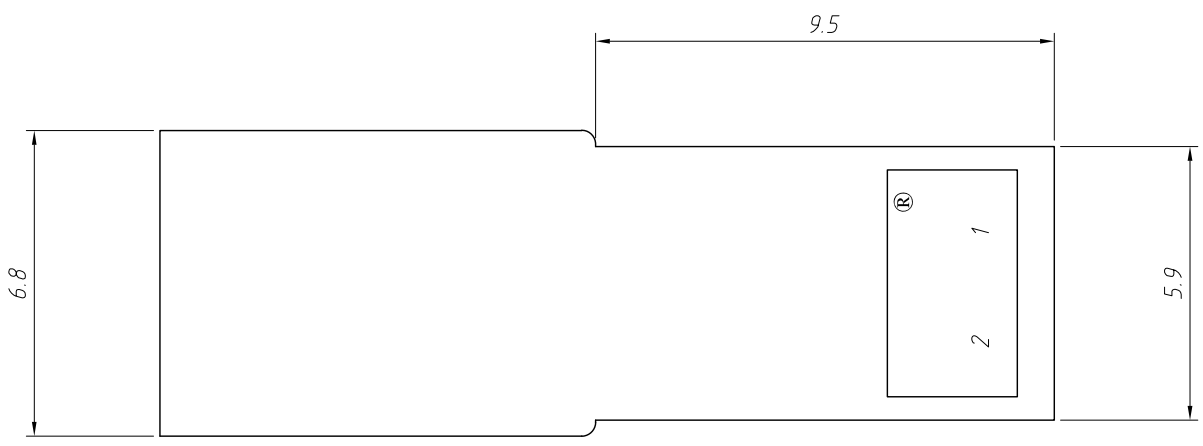
F

G

H



Order Information:  
**L-KLS1-XM2-2.50-XX-MH**  
 L: RoHS  
 Pitch: 2.50mm  
 XX-No. of 02~15 pins  
 Type:  
 MH-Male Hosing  
 FH-Female Hosing  
 MT-Male Terminal  
 FT-Female Terminal



Material:  
 Housing: PA66, UL 94V-0

Electrical Characteristics:  
 Rated Current: 3.0AMP  
 Voltage rating: 250V AC, DC  
 Temperature range: -45°C ~ +105°C  
 Insulator Resistance: 500MΩ Min  
 Withstanding Voltage: 1500V AC/minute  
 Contact Resistance: 20mΩ Max

ANGLE TOLERANCE	PROJECTION	Description:	2.50mm Pitch SYP SYR Type Wire To Wire Connector	
±3°				
GENERAL TOLERANCE	UNITS	mm	KLS P/N: L-KLS1-XM2-2.50-XX-MH	
x.x ±0.30	SHEET SIZE	A4	NingBo KLS ELECTRONIC CO.,L TD.	
x.xx ±0.20	Draw:	Daniel		2021-01-11
x.xxx ±0.10	Check:	Daniel		2021-01-11

1

2

3

4

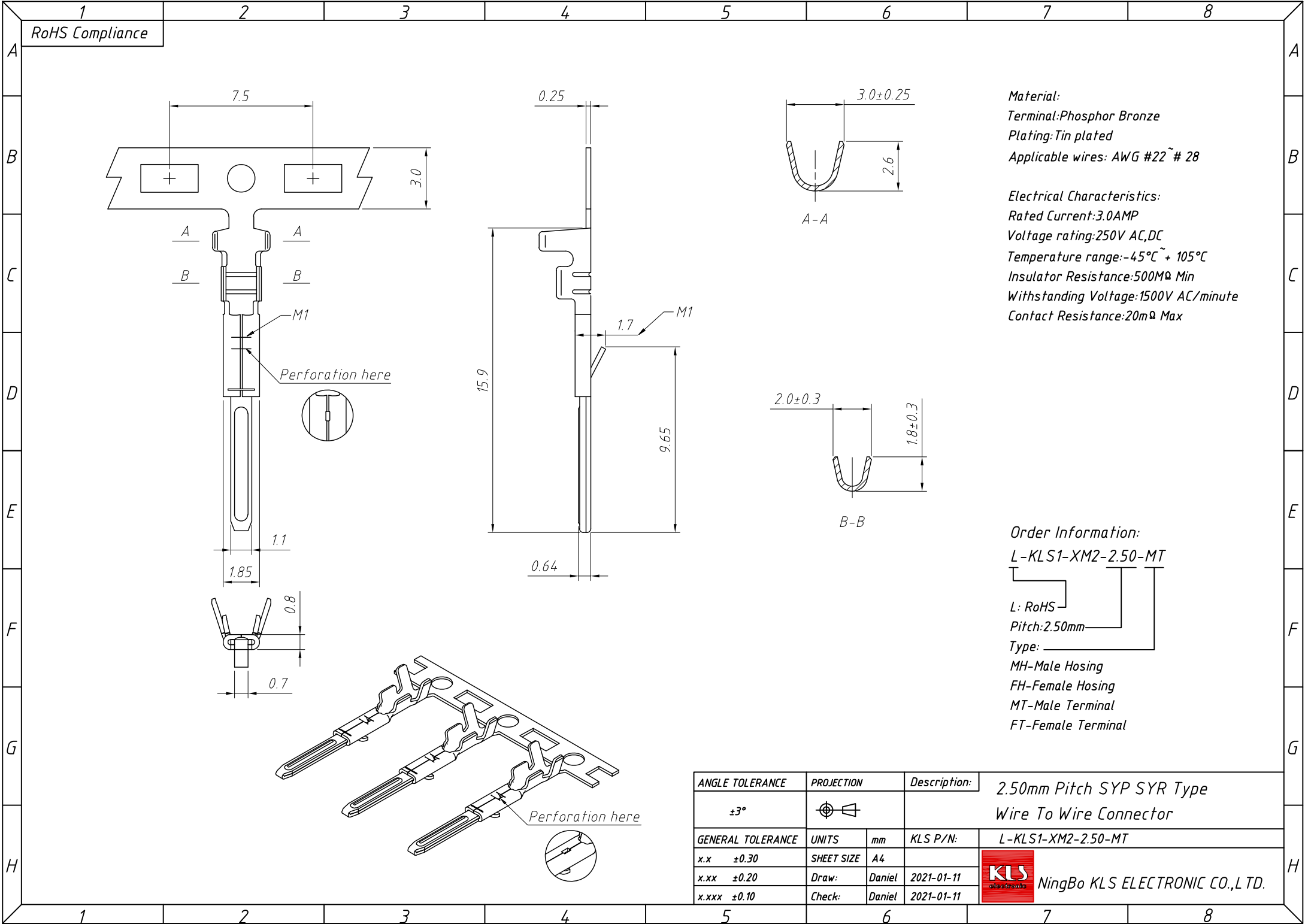
5

6

7

8

1  
RoHS Compliance



**Material:**  
Terminal: Phosphor Bronze  
Plating: Tin plated  
Applicable wires: AWG #22 ~ # 28

**Electrical Characteristics:**  
Rated Current: 3.0AMP  
Voltage rating: 250V AC, DC  
Temperature range: -45°C ~ + 105°C  
Insulator Resistance: 500MΩ Min  
Withstanding Voltage: 1500V AC/minute  
Contact Resistance: 20mΩ Max

**Order Information:**  
L-KLS1-XM2-2.50-MT

L: RoHS  
Pitch: 2.50mm  
Type: \_\_\_\_\_  
MH-Male Hosing  
FH-Female Hosing  
MT-Male Terminal  
FT-Female Terminal

ANGLE TOLERANCE	PROJECTION	Description:	2.50mm Pitch SYP SYR Type Wire To Wire Connector
±3°			
GENERAL TOLERANCE	UNITS	mm	KLS P/N: L-KLS1-XM2-2.50-MT
x.x ±0.30	SHEET SIZE	A4	NingBo KLS ELECTRONIC CO.,L TD.
x.xx ±0.20	Draw:	Daniel 2021-01-11	
x.xxx ±0.10	Check:	Daniel 2021-01-11	