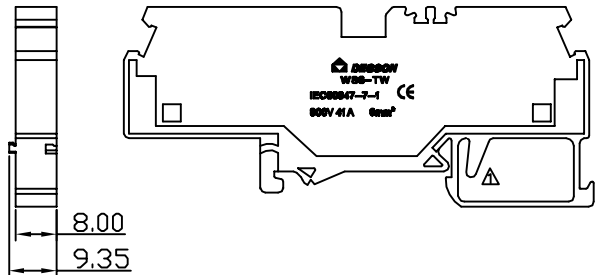
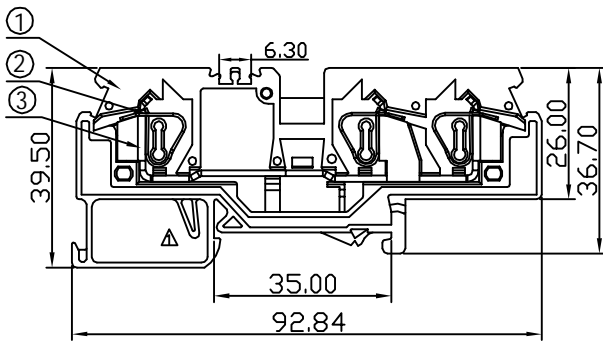
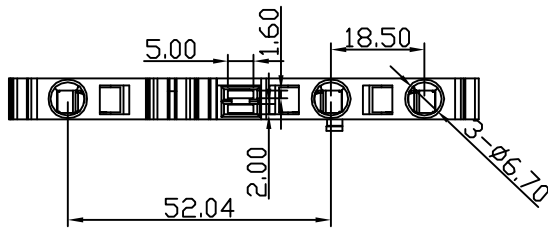


REVISION RECORD				
REV	ECD	DESCRIPTION	DRFT	DATE
△		加限位结构	CW	05/14/09

Notes:

- Rated voltage/current: UL1059 600V/30A  
IEC 800V/41A
- Operation temperatures: -40° C~+105° C
- Withstanding Voltage: AC8000V/1Min
- Insulation Resistance: 5000MΩ /DC1000V
- Wire Range: 24~10AWG, 6mm<sup>2</sup>
- Un dimensioned Tolerances:

Pitch range in mm		Nominal dimension range in mm					—	
to	over	to	over	to	over	to		
6	6 to 10	10	10 to 24	30	30 to 60	60 to 100	100 to 150	∩
±0.10	±0.15	±0.25	±0.2	±0.3	±0.5	±0.7	±1	□



3	WS6-TW-Current Carrier	6132B00010(H)	1	Copper	SnCe plate
2	WS6-Shrapnel	X000001880(H)	2	Stainless steel	
1	WS6-TW-Housing	6132A0Y01A(H)	1	PA66	UL94V-0

ITEM	NAME OF PART	NO. OF PART	Q'TY	MATERIAL	NOTES																																		
<table border="1"> <tr> <td rowspan="4">TOLERANCES EXCEPT AS NOTED</td> <td>MM</td> <td>DATE</td> <td>12/10/07</td> </tr> <tr> <td>INCH</td> <td>DATE</td> <td></td> </tr> <tr> <td>APPVL</td> <td>DATE</td> <td></td> </tr> <tr> <td>CHKD</td> <td>DATE</td> <td></td> </tr> <tr> <td rowspan="3">MATERIAL</td> <td>NAME</td> <td colspan="2"></td> </tr> <tr> <td>FINISH</td> <td colspan="2"></td> </tr> <tr> <td>G.E.</td> <td colspan="2"></td> </tr> <tr> <td rowspan="2">DRAWING NO.</td> <td>WS6-TW-E01</td> <td>SIZE</td> <td>A3</td> </tr> <tr> <td>PART NO.</td> <td></td> <td>REV</td> </tr> <tr> <td colspan="3">DD NOT SCALE DRAWING</td> <td>SHEET 1 OF 1</td> </tr> </table>						TOLERANCES EXCEPT AS NOTED	MM	DATE	12/10/07	INCH	DATE		APPVL	DATE		CHKD	DATE		MATERIAL	NAME			FINISH			G.E.			DRAWING NO.	WS6-TW-E01	SIZE	A3	PART NO.		REV	DD NOT SCALE DRAWING			SHEET 1 OF 1
TOLERANCES EXCEPT AS NOTED	MM	DATE	12/10/07																																				
	INCH	DATE																																					
	APPVL	DATE																																					
	CHKD	DATE																																					
MATERIAL	NAME																																						
	FINISH																																						
	G.E.																																						
DRAWING NO.	WS6-TW-E01	SIZE	A3																																				
	PART NO.		REV																																				
DD NOT SCALE DRAWING			SHEET 1 OF 1																																				
<p>DEGSON® 宁波高正电子有限公司 DEGSON ELECTRONICS CO., LTD</p> <p>NAME <b>WS6-TW-01P-1Y-00A(H)</b></p> <p>ANGLES ± 1°</p> <p>THIRD ANGLE PROJECTION</p> <p>SCALE: 1:1</p>																																							