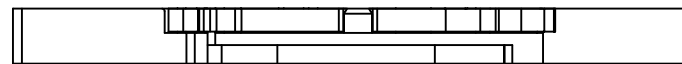
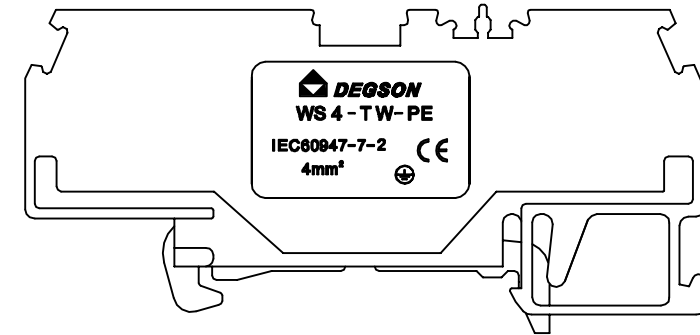
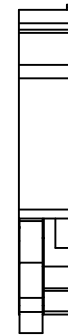
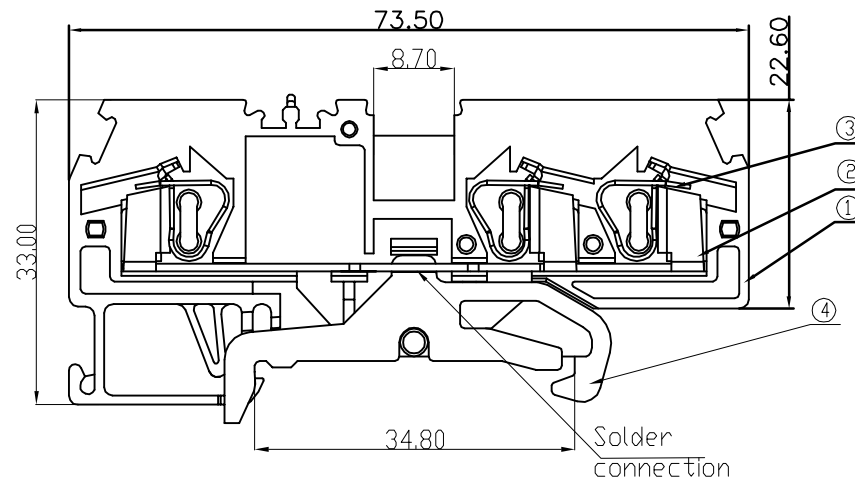
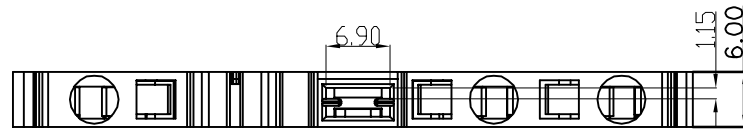


REVISION RECORD				
REV	ECD	DESCRIPTION	DRFT	DATE

Notes:

1. Operation temperatures: -40°C ~ +105°C
2. Withstanding Voltage: AC3000V/1Min
3. Insulation Resistance: 5000MΩ / DC1000V
4. Wire Range: 28~12AWG, 4.0mm²
5. Undimensioned Tolerances:

Pitch range in mm		Nominal dimension range in mm						—
	over 6	over 10		over 30	over 60	over 100	over 150	∩
to 6	to 10	to 24	to 30	to 60	to 100	to 150		∇
±0.10	±0.15	±0.25	±0.2	±0.3	±0.5	±0.7	±1.0	±0.05/10



4	WS4-PE Ground Pin	6033B00010 (H)	1	copper	Sn plated
3	WS4 Clamp	X000000600 (H)	3	Stainless steel	
2	WS4-TW Carrier	6131B00010 (H)	1	copper	Sn plated
1	WS4-TW-PE Housing	6166A0C01A (H)	1	PA66	UL94V-0
ITEM	NAME OF PART	NO. OF PART	Q'TY	MATERIAL	NOTES

DETACHED LISTS	MM (INCH)	DFTD LINDA	DATE 08/13/08"	宁波高正电子有限公司 DEGSON ELECTRONICS CO., LTD		
	TOLERANCES EXCEPT AS NOTED	CHKD	DATE			
		MFD	DATE			
		APPVL	DATE			
		MATERIAL :				
	ANGLES ± 1°	G.E :		NAME WS4-TW-PE-01P-1C-00A (H)		
	THIRD ANGLE PROJECTION	FINISH:		DRAWING NO. WS 4-TW-PE-E01	SIZE A3	REV TO 06/28/10
		SCALE : 1:1		DO NOT SCALE DRAWING	SHEET 1	OF 1