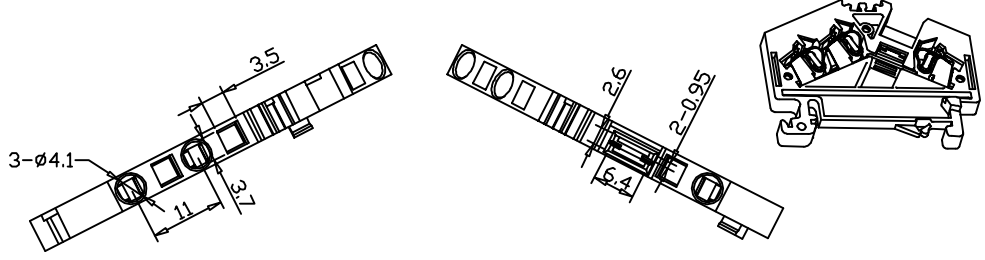
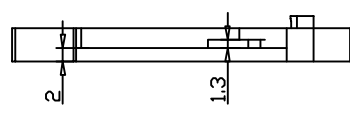
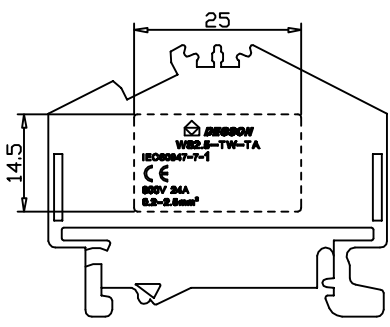
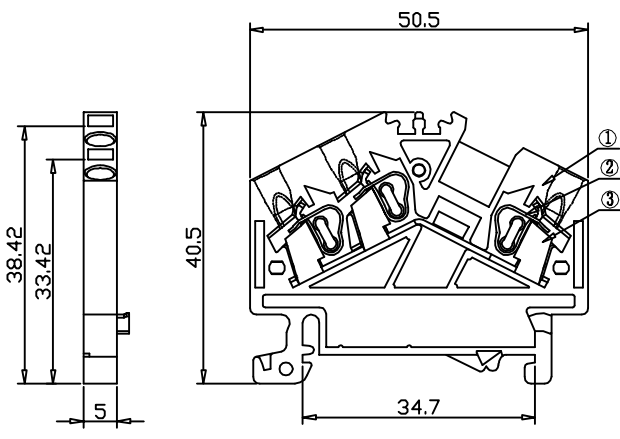


REVISION RECORD				
REV	ECD	DESCRIPTION	DRFT	DATE



- Notes:
1. Rated voltage/current: UL1059 600V 15A
IEC 800V 24A
 2. Operation temperatures: -40°C~+105°C
 3. Withstanding Voltage: AC3500V/1Min
 4. Insulation Resistance: 1000MΩ/DC500V
 5. Wire Range: 28~12AWG, 0.2~2.5mm²
 6. Undimensioned Tolerances:

Pitch range in mm		Nominal dimension range in mm					—
to	over	to	over	to	over	to	
6	6 to 10	10 to 24	30 to 60	60 to 100	100 to 150	150	
±0.10	±0.15	±0.25	±0.2	±0.3	±0.5	±0.7	
						±1	
						0.05/10	



ITEM	NAME OF PART	NO. OF PART	Q'TY	MATERIAL	NOTES
3	WS2.5-TW-TA Current Carrier	6176B00010 (H)	1	Copper	SnCe plated
2	DG242-5.0-Shrapnel	X000000990 (H)	3	Stainless steel	
1	WS2.5-TW-TA Housing	6176A0Y01A (H)	1	PA66	UL94V-0

TOLERANCES EXCEPT AS NOTED		DATE	12/01/08
MM	±	DATE	
.0 ±	±	DATE	
.00 ±	±	DATE	
.000 ±	±	DATE	
ANGLES ± 1°	G.E. :		
THIRD ANGLE PROJECTION	FINISH:		
	SCALE : 1:1		

宁波高正电子有限公司
 DEGSON ELECTRONICS CO., LTD
 NAME
 WS2.5-TW-TA-01P-1Y-00A (H)
 DRAWING NO. WS2.5-TW-TA-E01
 /PART NO.
 DD NOT SCALE DRAWING
 SHEET 1 OF 1