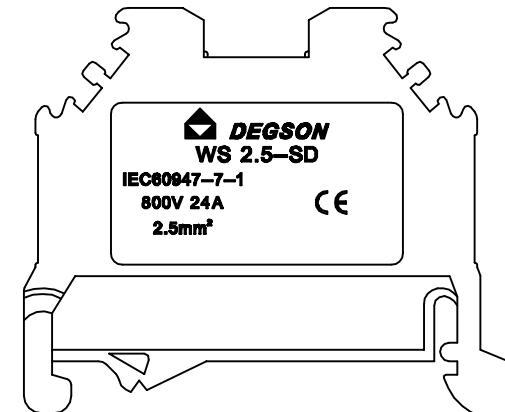
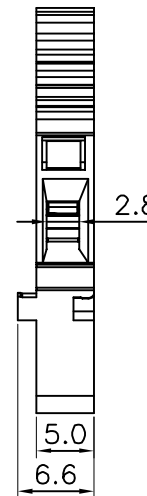
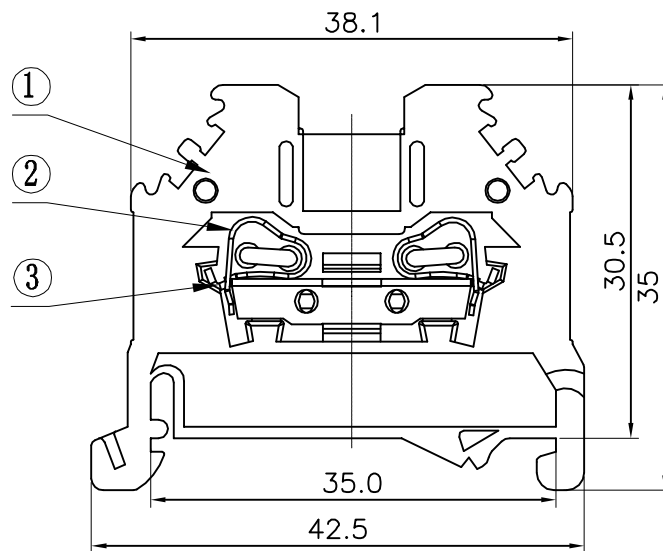
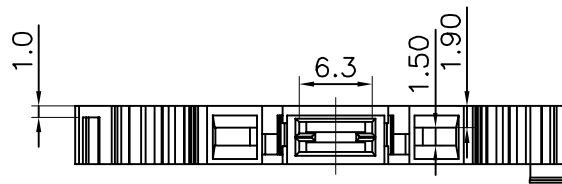


REVISION RECORD				
REV	ECO	DESCRIPTION	DRFT	DATE



Notes:

1. Rated voltage/current: UL1059 600V/15A  
IEC 800V/24A

2. Operation temperatures: -40°C ~ +105°C

3. Withstanding Voltage: AC3000V/1min

4. Insulation Resistance: 5000MΩ / DC1000V

5. Wire Range: 28~14AWG, 2.5mm²

6. Undimensioned Tolerances:

Tolerance range in mm		Nominal dimension range in mm							
over 6	over 10	to 24	to 30	over 30	over 60	over 100	over 150	∩	
±0.10	±0.15	±0.25	±0.2	±0.3	±0.5	±0.7	±1.0	∇	

3	WS 2.5-SD-Current-Carrier	6060B00010 (H)	1	Copper	SnCe														
2	DC242-5.0-Shrapnel	X000000990 (H)	2	Stainless steel															
1	WS 2.5-SD-Housing	6060A0Y01A (H)	1	PA66	UL94V-0														
ITEM	NAME OF PART	NO. OF PART	Q'TY	MATERIAL	NOTES														
<table border="1"> <tr> <td>← INCH →</td> <td>DFTD Apply</td> <td>DATE 07/02/08*</td> </tr> <tr> <td>TOLERANCES EXCEPT AS NOTED</td> <td>CHD</td> <td>DATE</td> </tr> <tr> <td></td> <td>MPO</td> <td>DATE</td> </tr> <tr> <td></td> <td>APPVL</td> <td>DATE</td> </tr> <tr> <td colspan="3">MATERIAL :</td> </tr> </table>		← INCH →	DFTD Apply	DATE 07/02/08*	TOLERANCES EXCEPT AS NOTED	CHD	DATE		MPO	DATE		APPVL	DATE	MATERIAL :			宁波高正电子有限公司 DEGSON ELECTRONICS CO., LTD		
← INCH →	DFTD Apply	DATE 07/02/08*																	
TOLERANCES EXCEPT AS NOTED	CHD	DATE																	
	MPO	DATE																	
	APPVL	DATE																	
MATERIAL :																			
<table border="1"> <tr> <td>MM</td> <td>±</td> </tr> <tr> <td>.0 ±</td> <td>±</td> </tr> <tr> <td>.00 ±</td> <td>±</td> </tr> <tr> <td>.000 ±</td> <td>±</td> </tr> </table>		MM	±	.0 ±	±	.00 ±	±	.000 ±	±	NAME WS 2.5-SD-01P-1Y-00A (H)									
MM	±																		
.0 ±	±																		
.00 ±	±																		
.000 ±	±																		
<table border="1"> <tr> <td>ANGLES ± 1°</td> <td>G. E :</td> </tr> <tr> <td>FINISH :</td> <td></td> </tr> <tr> <td>SCALE : 1:1</td> <td></td> </tr> </table>		ANGLES ± 1°	G. E :	FINISH :		SCALE : 1:1		DRAWING NO. WS 2.5-SD-E01		SIZE A3	REV TO 07/02/08*								
ANGLES ± 1°	G. E :																		
FINISH :																			
SCALE : 1:1																			
THIRD ANGLE PROJECTION		DO NOT SCALE DRAWING		SHEET 1 OF 1															