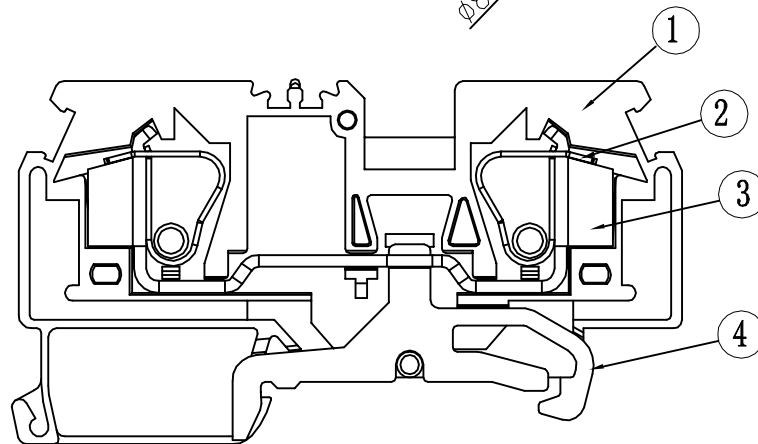
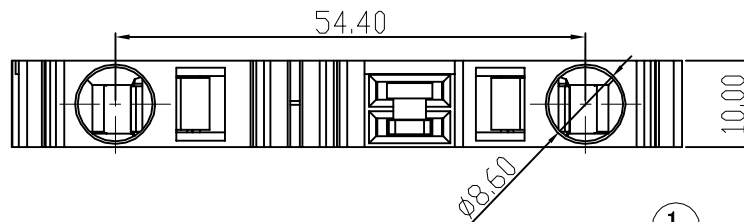
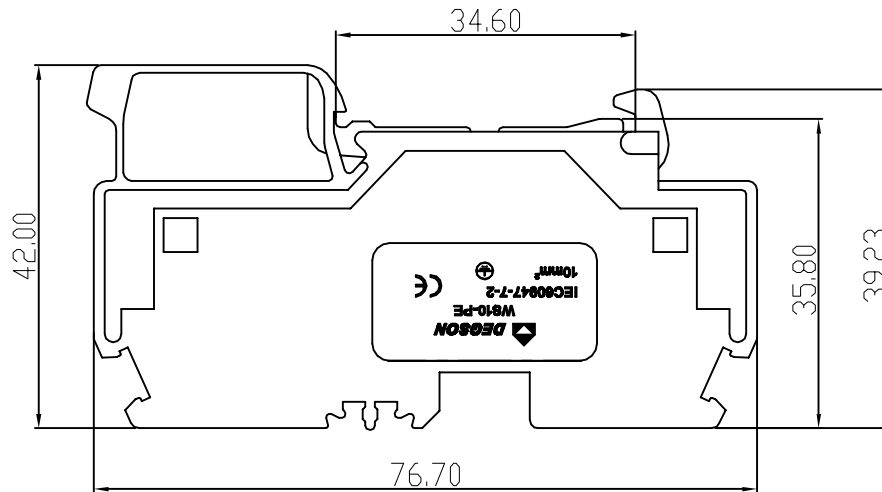


REVISION RECORD				
REV	ECD	DESCRIPTION	DRFT	DATE



Notes:

1. Pitch: 10.0mm
2. Operation temperatures: $-40^{\circ}\text{C} \sim +105^{\circ}\text{C}$
3. Withstanding Voltage: AC3000V/1Min
4. Insulation Resistance: $5000\text{M}\Omega/1000\text{V}$
5. Wire Range: $24 \sim 8\text{AWG}$, 10mm^2
6. Undimensioned Tolerances:

Pitch range in mm		Nominal dimension range in mm						—
to 6	over 6 to 10	over 10 to 24	to 30	over 30 to 60	over 60 to 100	over 100 to 150	150	
± 0.10	± 0.15	± 0.25	± 0.2	± 0.3	± 0.5	± 0.7	± 1.0	
							0.05/10	

4	WS10-PE Ground contact	6035B00010 (H)	1	Phosphor bronze	SnCe
3	WS10-Current carrier	6029B00010 (H)	1	Copper	SnCe
2	WS10-Shrapnel	X000001860 (H)	2	Stainless steel	
1	WS10-PE Housing	6035A0Y01A (H)	1	PA66	UL94V-0
ITEM	NAME OF PART	NO. OF PART	Q'TY	MATERIAL	NOTES
DETAILED LISTS	MM (INCH)	DFTO LIN	DATE 10/25/08'	宁波高正电子有限公司 DEGSON ELECTRONICS CO., LTD NAME WS10-PE-01P-1Y-00A(H) DRAWING NO. WS10-PE-E01 SIZE A3 REV TO 10/07/09' /PART NO. DO NOT SCALE DRAWING SHEET 1 OF 1	
	TOLERANCES EXCEPT AS NOTED	CHKD	DATE		
	MM .0 ± .00 ± .000 ±	MFD	DATE		
	ANGLES ± 1°	APPVL	DATE		
	FINISH:				
THIRD ANGLE PROJECTION	SCALE :				