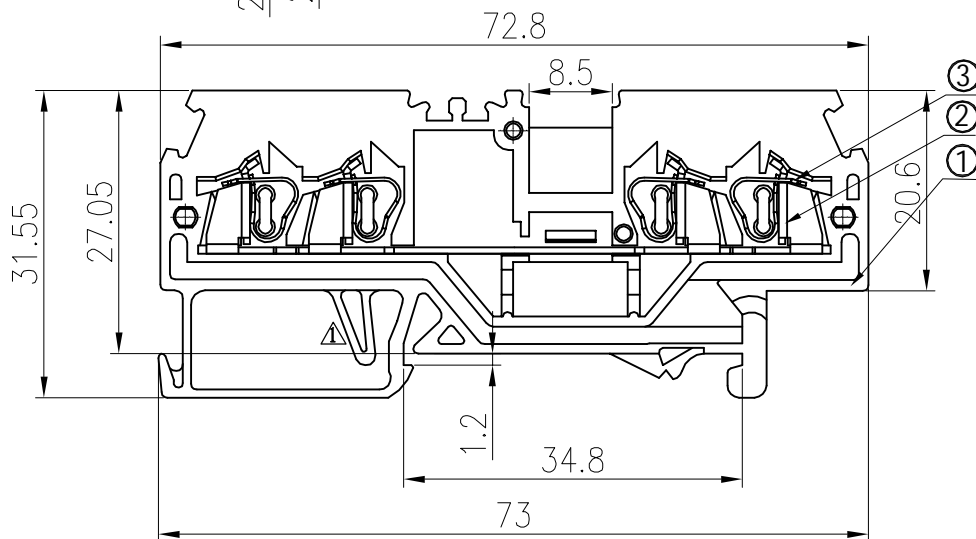
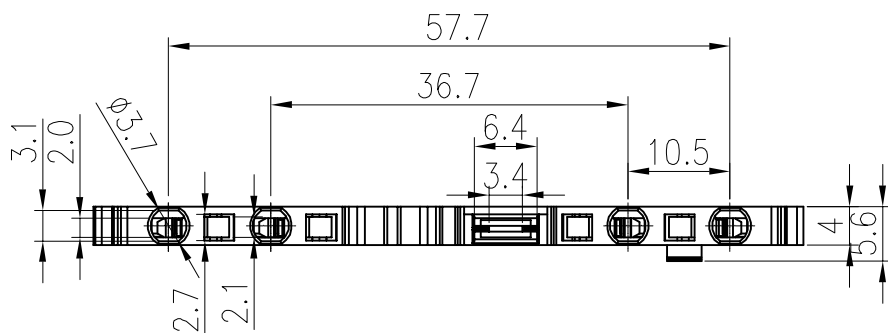
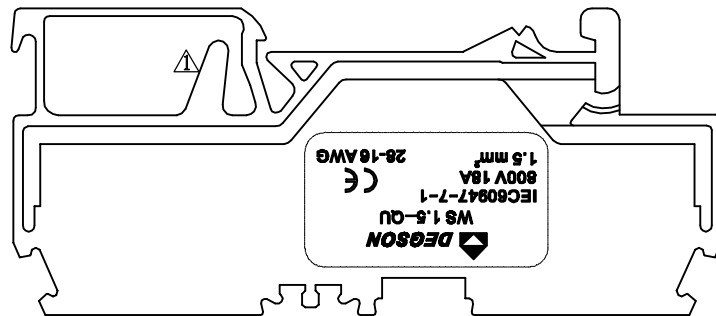


| REVISION RECORD |     |             |      |          |
|-----------------|-----|-------------|------|----------|
| REV             | ECO | DESCRIPTION | DRFT | DATE     |
| △               |     | 增加限位结构      | CW   | 05/18/09 |



Notes:

- Rated voltage/current: UL1059 600V/10A  
IEC 800V/18A
- Operation temperatures: -40°C ~ +105°C
- Withstanding Voltage: AC3000V/1Min
- Insulation Resistance: 5000MΩ / DC1000V
- Wire Range: 28~16AWG, 1.5mm<sup>2</sup>
- Unidimensional Tolerances:

| Pitch range in mm |       | Nominal dimension range in mm |      |      |      |      |      |         |
|-------------------|-------|-------------------------------|------|------|------|------|------|---------|
| to                | over  | to                            | over | to   | over | to   | over |         |
| 6                 | 6     | 10                            | 30   | 60   | 100  | 150  |      |         |
| ±0.10             | ±0.15 | ±0.25                         | ±0.2 | ±0.3 | ±0.5 | ±0.7 | ±1.0 | 0.05/10 |

| 3   | WS 1.5-Shrapnel           | X000001700(H)   | 4    | Stainless Steel                                   |                                      |
|---|---------------------------|---|------|---|--------------------------------------|
| 2   | WS 1.5-QU-Current Carrier | 6139B00010(H)   | 1    | Copper  | Sn                                   |
| 1   | WS 1.5-QU-Housing         | 6139A0Y01A(H)   | 1    | PA66  | UL94V-0                              |
| ITEM  | NAME OF PART              | NO. OF PART   | Q'TY | MATERIAL  | NOTES                                |
| DFTO Yangys DATE 10/05/08"<br>CHKD DATE<br>MFO DATE<br>APPVL DATE<br>MATERIAL :<br>ANGLES ± 1'<br>FINISH :<br>SCALE : |                           | DEGSON<br>宁波高正电子有限公司<br>DEGSON ELECTRONICS CO., LTD<br>NAME<br><b>WS 1.5-QU-01P-1Y-00A(H)</b><br>DRAWING NO. WS 1.5-QU-E01<br>/PART NO. |      | SIZE<br><b>A3</b><br>REV<br><b>T1</b><br>05/18/09 | DO NOT SCALE DRAWING<br>SHEET 1 OF 1 |