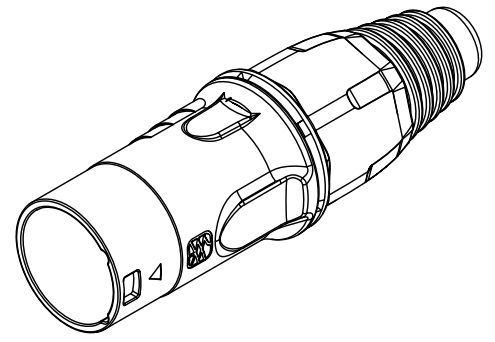
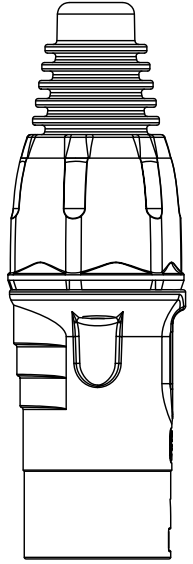
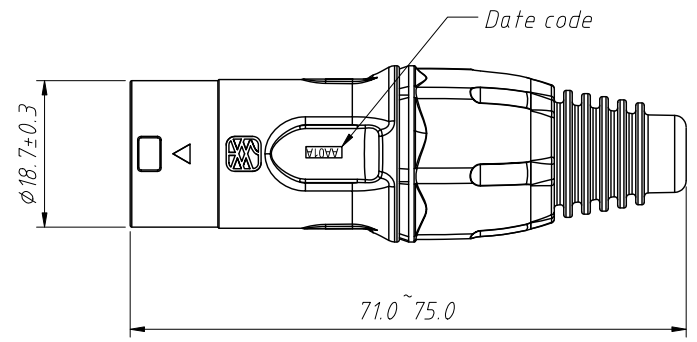
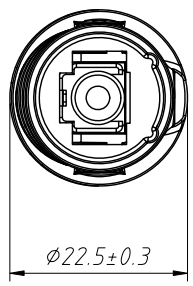


1
RoHS Compliance

6		7		8	
REV	SYM	Revision Record		Appr.	Date
V0	KLS01256	New Version Release		Jenny	2024-07-25



Specifications:
 Cable OD: $\phi 5.0 - \phi 6.8\text{mm}$
 Tightening torque: 1.3N.m
 Waterproof Standard: IP67
 Operating cycles (Min): 500 times
 Operating temperature: $-25^{\circ}\text{C} \sim +85^{\circ}\text{C}$



ANGLE TOLERANCE	PROJECTION	Description:			
$\pm 3^{\circ}$		IP65 RJ45 PLUG with Metal shell, PLUG			
GENERAL TOLERANCE	UNITS	mm	KLS P/N:		
x.x ± 0.30	SHEET SIZE	A4	L-KLS12-WRJ45-20P		
x.xx ± 0.20	Draw:	Jenny	2024-07-25	NingBo KLS ELECTRONIC CO.,L TD.	
x.xxx ± 0.10	Check:	Daniel	2024-07-25		