

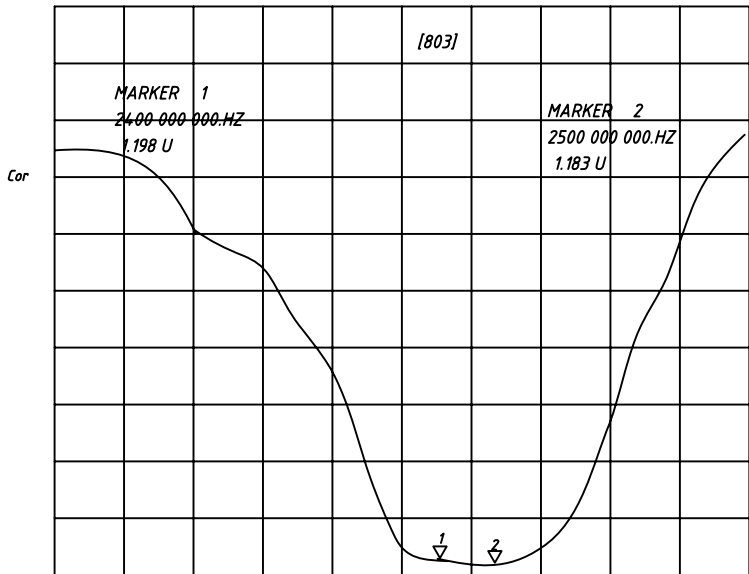
CH1 A/R SWR

f: 1.198U

MKR

1.000 U/ 2400 000 000.HZ

REF 1.000 U



CH1 START 2000 000 000.HZ

STOP 2 700 000 000.HZ

Specification:

Frequency : 2400 ~ 2500MHz

Gain : 3dBi

Vswr : 1.5 Max.

Impedance : 50 Ω

Polarization : Vertical

Radiation : OMNIDIRECTIONAL

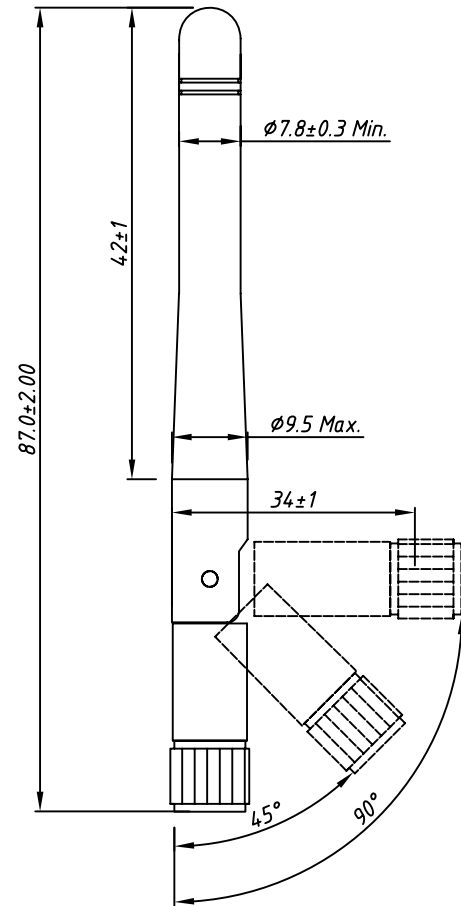
Max power : 50W

Shell material : PVC

Connector : SMA Pin

Lightning protection: DC Grounding

Operating Temperature : -30°C to +70°C



| GENERAL TOLERANCE | ANGLE TOLERANCE | PROJECTION | Description: |
|-------------------|-----------------|------------|---------------------------|
| X. ±0.60 | X. ±5° | UNITS | mm |
| .X ±0.38 | .X ±3° | SHEET SIZE | A4 |
| .XX ±0.25 | .XX ±2° | KLS P/N: | KLS1-WIFI-2.4G-04-MS-87MM |

Draw by: Date 2016-11-11

Check by:: Date 2016-11-11

SCALE SHEET OF

KLS ELECTRONIC CO., LTD.