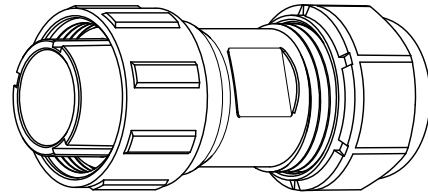


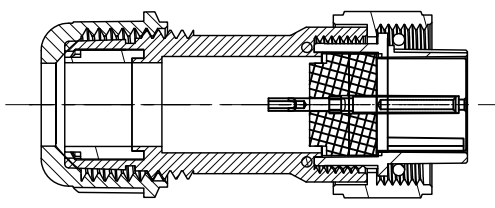
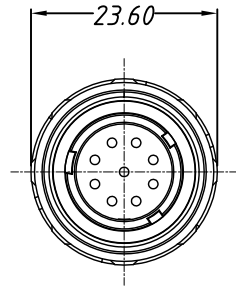
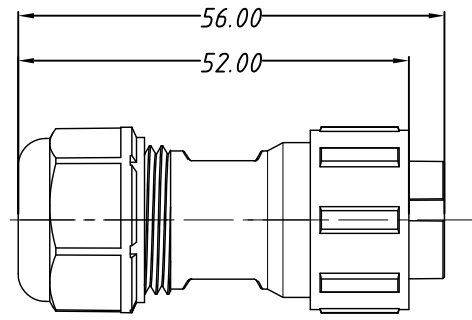
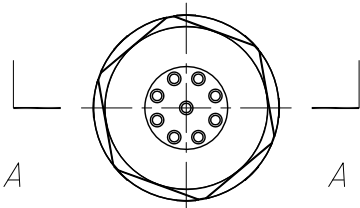
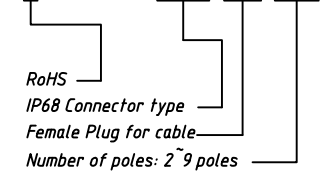
1
RoHS Compliance

- Material & SPEC.**
- 1.Shell Material: PPO,PA66 UL94V-0
 - 2.Insulation Materials: PPS, High Temperature 260°C
 - 3.Contact: Brass,Gold-plated
 - 4.Insulation resistance: 2000MΩ
 - 5.Number of poles: 2~9 poles
 - 6.Coupling: Threaded
 - 7.Termination: Solder
 - 8.Cable outer Diameter: 6~10mm
 - 9.IP Rating: IP68
 - 10.Durability: 500 mating cycles
 - 11.Temperature Range: -25°C~+80°C



ORDER INFORMATION:

L-KLS15-W17 B1-XX



SECTION A-A

Match Connector	
KLS15-W17B2	
KLS15-W17B3	
KLS15-W17B4	

Solder contact arrangement and spec

Number of contact	2	3	4	5	7	9
Male contact face view						
Rated current (A)	10A	10A	5A	5A	5A	5
Contact diameter	∅1.5×2	∅1.5×3	∅1.0×4	∅1.0×5	∅1.0×7	∅1.0×9
Rated voltage(AC.V)	500V	500V	500V	500V	400V	400V
Test voltage(AC.V) 1min	1500V	1500V	1500V	1500V	1200V	1200V
Contact resistance mΩ	2.5	2.5	5	5	5	5
Wire size solder mm ² /AWG	≤2/14	≤2/14	≤0.785/18	≤0.785/18	≤0.785/18	≤0.785/18

GENERAL TOLERANCE		PROJECTION	Description:
.X	±0.05	UNITS	mm
.XX	±0.02	SHEET SIZE	A4
		KLS P/N:	KLS15-W17B1-XX
Draw:	Daniel	2018-08-27	NingBo KLS ELECTRONIC CO.,L TD.
Check:	Daniel	2018-08-27	
SCALE	1:1	SHEET	