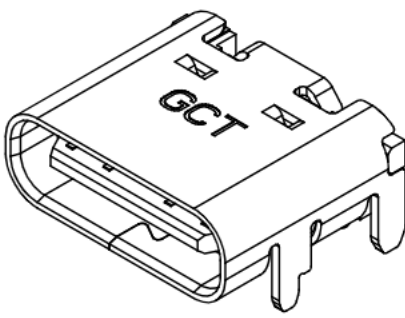


Recommended PCB Layout
As viewed from component side Tolerance: ±0.05mm



Pin	Signal	Mating Sequence	Pin	Signal	Mating Sequence
A1	GND	First	B12	GND	First
A4	V _{sus}	First	B9	V _{bus}	First
A5	CC1	Second	B8	SBU2	Second
A6	Dp1	Second	B7	Dn2	Second
A7	Dn1	Second	B6	Dp2	Second
A8	SBU1	Second	B5	CC2	Second
A9	V _{sus}	First	B4	V _{bus}	First
A12	GND	First	B1	GND	First
SHELL		GND	SHELL		GND

Specifications

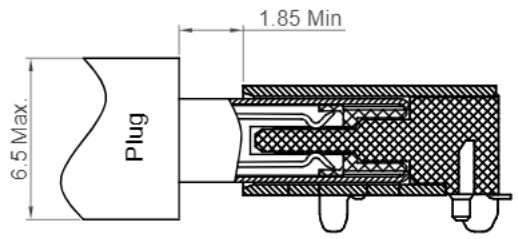
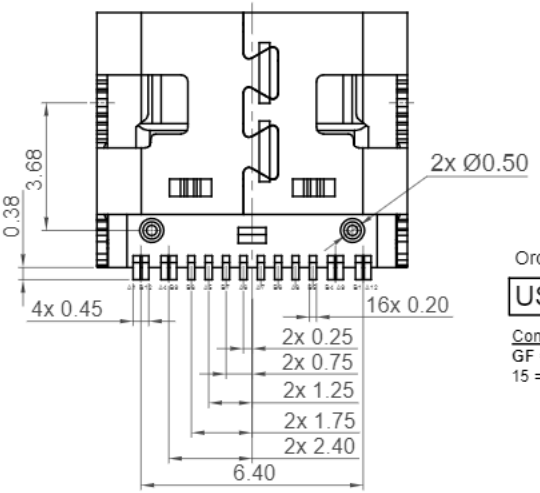
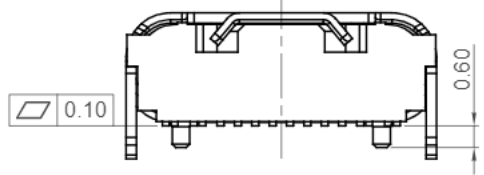
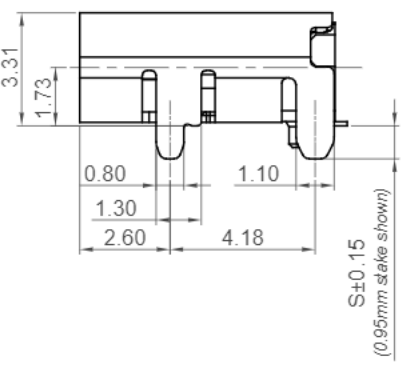
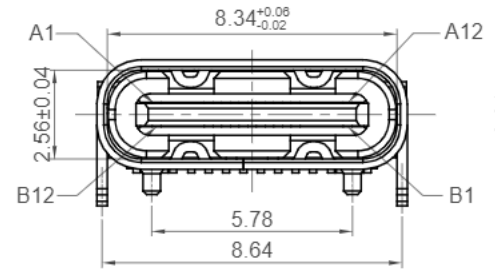
Material
 Insulator: LCP, UL 94V-0, Black
 Contact: Copper Alloy
 Shell: Stainless steel
 Mid Plate: Stainless Steel

Plating
 Contact:
 Contact Area: See Ordering Grid
 Solder Tails: Gold Flash
 Underplating: 50µ" min. Nickel All Over
 Shell: 30µ" min. Nickel
 Mid Plate: Clear

Electrical
 Current Rating: 5.00A collectively for V_{bus} pins
 6.25A collectively for GND pins
 1.25A for A5/B5 pin
 0.25A per pin for all other pins

Voltage Rating: 48V DC
 Power Rating: 240W
 Contact Resistance: 40mΩ max. initial.
 50mΩ max. after test
 Dielectric Withstanding Voltage: 100V AC
 Insulation Resistance 100MΩ min.

Mechanical & Environmental
 Operating Temperature: -40°C to +85°C
 Mating Force: 5 to 20 N.
 Unmated Force: 6 to 20 N after test
 Durability: 20,000 cycles



Plug and Receptacle Mating View

Ordering Grid
 USB4105 - XX - A - XXX Request Samples and Quotation
 Contact Plating: GF = Gold Flash (standard), 15 = 15µ" Gold
 Shell Stake Length "S": Blank = 0.95mm, 060 = 0.60mm, 120 = 1.20mm
 Packing Options: A = Tape & Reel

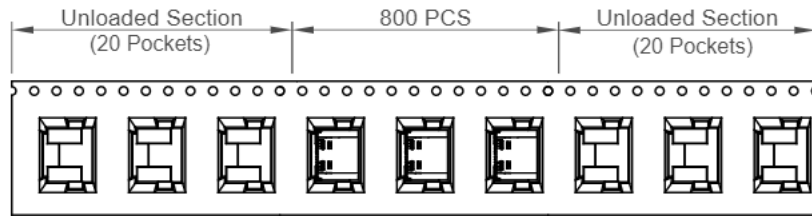
Part Number		Product Description	
USB4105		USB Type C Receptacle for USB 2.0	
Drawing Date		SMT Type, PCB Top Mount	
4th October 2019			
By	CC	Tolerances (Except as Noted)	Units:
Detail	USB4105 B PCN	Length	Metric (mm)
Revision	B3	Angle	
Date	24/02/23	X ± 0.38	X ± 2°
		XX ± 0.30	X.X ± 1°
		X.XX ± 0.15	
		X.XXX ± 0.10	



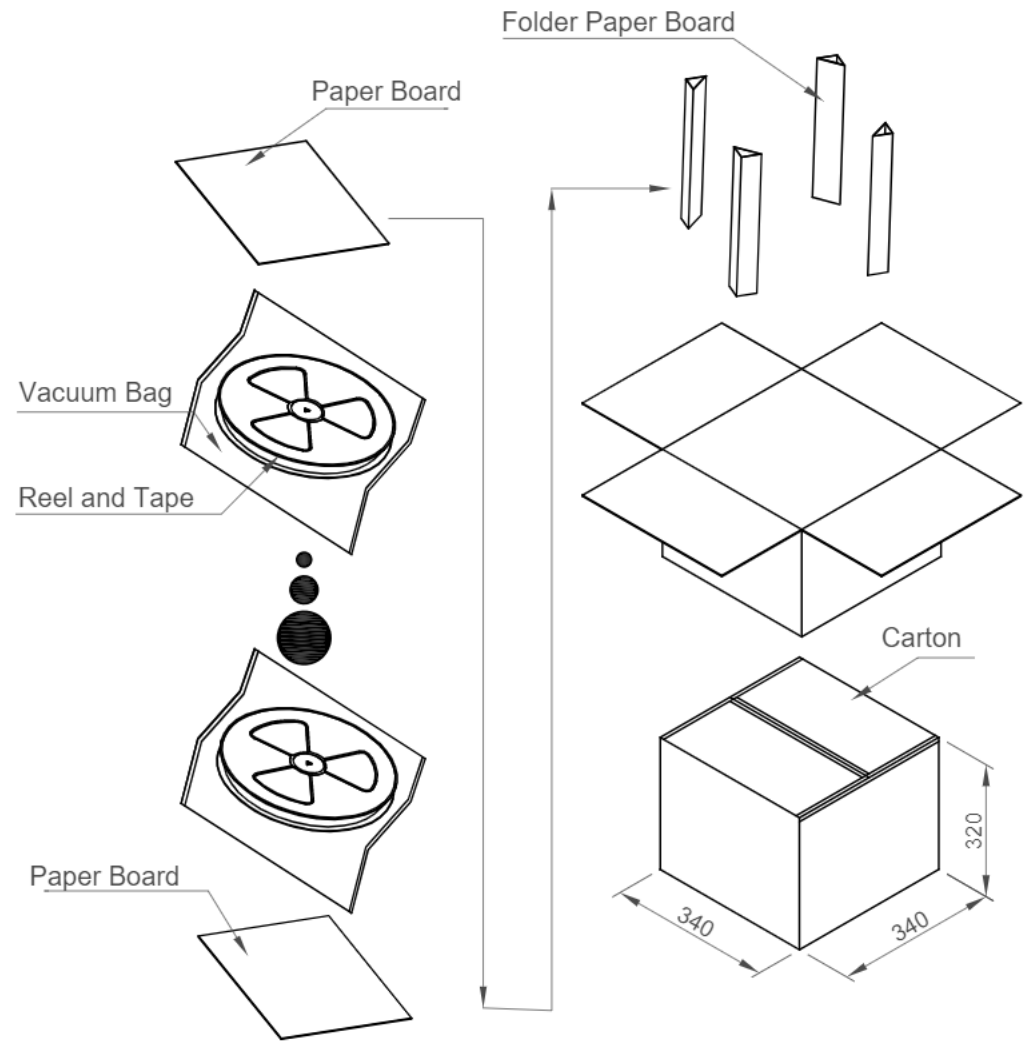
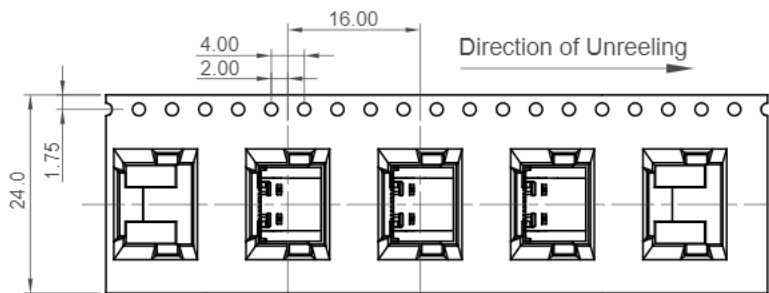
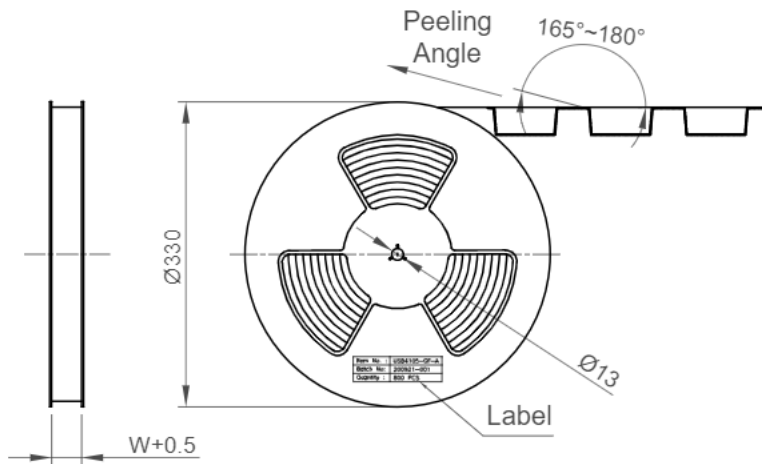
This drawing is confidential and copyright of Global Connector Technology, Ltd (GCT). This drawing must not be copied or disclosed without written consent. E & OE



Not to Scale	Drawn By CC	Sheet No. 1/2
--------------	-------------	---------------



Direction of Unreeling



Pcs / Reel	Reels / Carton	Total Quantity
800	10	8000 pcs

Part Number USB4105		Product Description USB Type C Receptacle for USB 2.0 SMT Type, PCB Top Mount		 www.gct.co
Drawing Date 4th October 2019				
By CC	Detail USB4105 B PCN	Tolerances (Except as Noted) Length	Angle	
Revision B3	Date 24/02/23			Units: Metric (mm)
		 2nd Angle Projection		 RoHS COMPLIANT 2011/05/IEU Deca-BDE
		This drawing is confidential and copyright of Global Connector Technology, Ltd (GCT). This drawing must not be copied or disclosed without written consent. E & OE		Not to Scale
		Drawn By CC		Sheet No. 2/2