

**Recommended PCB Layout**  
As viewed from component side Tolerance: ±0.05mm

▨ Solder Area □ Component Outline

Pin	Signal	Mating Sequence	Pin	Signal	Mating Sequence
A1	GND	First	B12	GND	First
A4	Vbus	First	B9	Vbus	First
A5	CC1	Second	B8	SBU2	Second
A6	Dp1	Second	B7	Dn2	Second
A7	Dn1	Second	B6	Dp2	Second
A8	SBU1	Second	B5	CC2	Second
A9	Vbus	First	B4	Vbus	First
A12	GND	First	B1	GND	First
SHELL		GND	SHELL		GND

**Specifications**

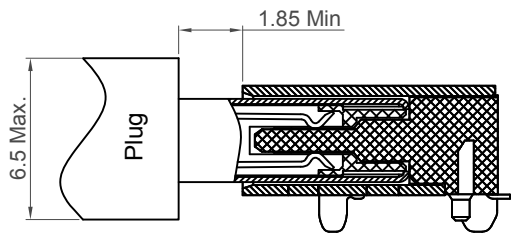
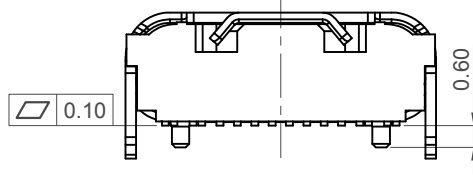
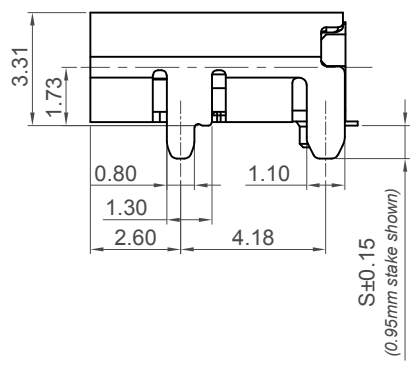
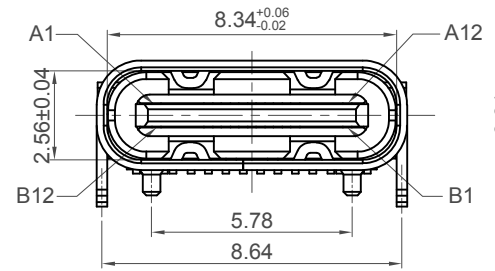
**Material**  
Insulator: LCP, UL 94V-0, Black  
Contact: Copper Alloy  
Shell: Stainless steel  
Mid Plate: Stainless Steel

**Plating**  
Contact: See Ordering Grid  
Solder Tails: Gold Flash Over Nickel  
Shell: Nickel

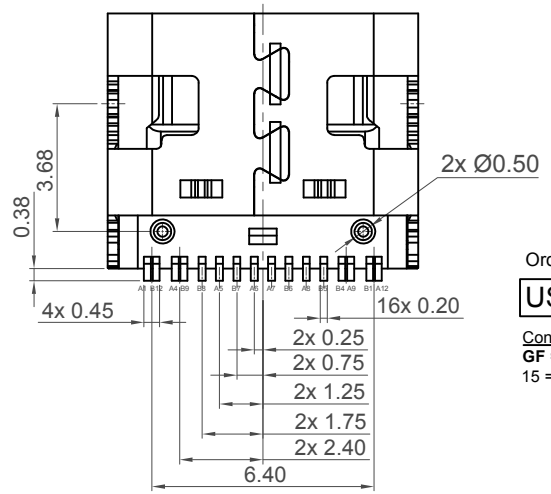
**Electrical**  
Current Rating: 5.00A collectively for Vbus pins  
6.25A collectively for GND pins  
1.25A for B5 pin  
0.25A per pin for all other pins

Voltage Rating: 20V DC  
Contact Resistance: 40mΩ max initial.  
50mΩ max after test  
Dielectric Withstanding Voltage: 100V AC  
Insulation Resistance 100MΩ min

**Mechanical & Environmental**  
Operating Temperature: -40°C to +85°C  
Mating Force: 5 to 20 N.  
Unmated Force: 6 to 20 N after test  
Durability: 10,000 cycles



**Plug and Receptacle Mating View**



**Ordering Grid**  
USB4105 - XX - A - XXX Request Samples and Quotation  
Contact Plating  
GF = Gold Flash (standard)  
15 = 15µ" Gold  
Shell Stake Length "S"  
Blank = 0.95mm  
060 = 0.60mm  
120 = 1.20mm  
Packing Options  
A = Tape & Reel

Part Number		Product Description	
USB4105		USB Type C Receptacle for USB 2.0	
Drawing Date		SMT Type, PCB Top Mount	
4th October 2019			
By	CC	Tolerances (Except as Noted)	Units:
Detail	USB4105	Length	Metric (mm)
Revision	B PCN	X ± 0.38	
Date	29/04/21	X.X ± 0.30	X ± 2°
		X.XX ± 0.15	X.X ± 1°
		X.XXX ± 0.10	



This drawing is confidential and copyright of Global Connector Technology, Ltd (GCT). This drawing must not be copied or disclosed without written consent. E & OE



Not to Scale	Drawn By CC	Sheet No. 1/2
--------------	-------------	---------------