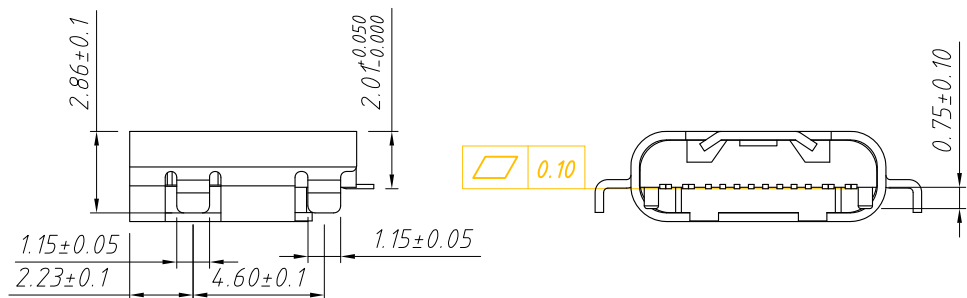
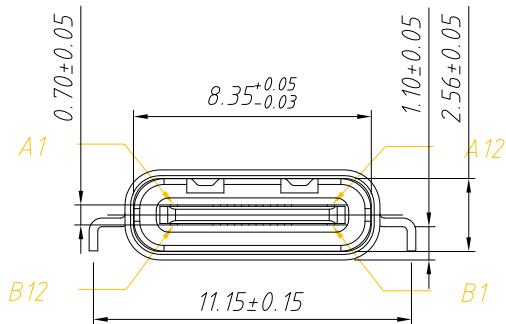


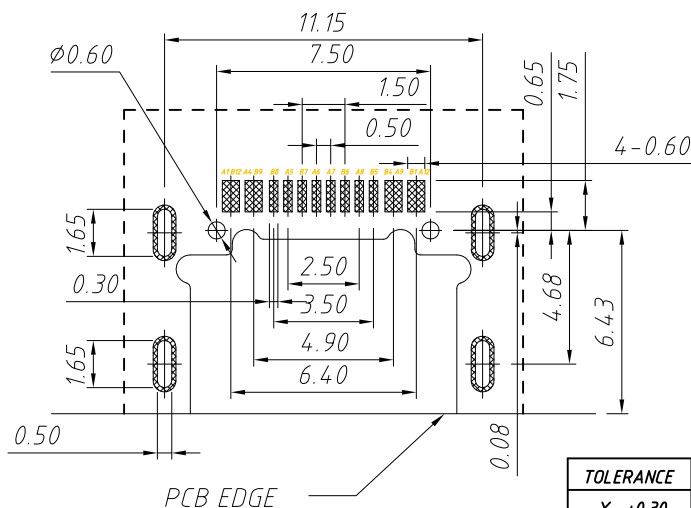
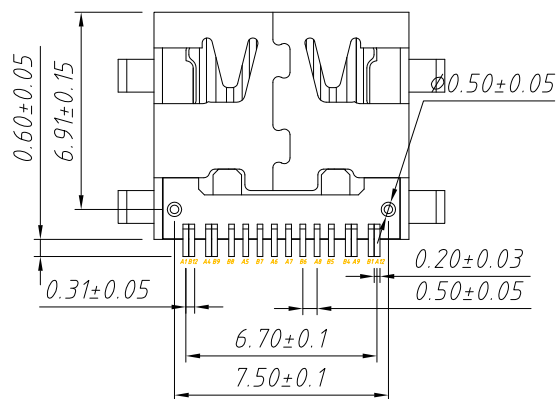
Electrical
 Current Rating: 3.0A Max
 Voltage: 100 VAC
 Contact Resistance: 40mΩ Max
 Insulation Resistance: 100MΩ Min.

Mechanical
 Operating Temperature: -55°C TO +85°C.
 Insertion Force : 2.0kgf MAX.
 Unmating Force: 0.8kgf Min.
 Durability: 10000 Cycles



Order Information

L-KLS1- 5462 S
 RoHS
 USB Type C
 Female Connector
 Spring: S- with spring
 N- without spring



RECOMMENDED PCB LAYOUT
 GENERAL TOLERANCE: ±0.05

A1	GND	B12	GND
A4	VBUS	B9	VBUS
A5	CC1	B8	SBU2
A6	DP1	B7	DN2
A7	DN1	B6	DP2
A8	SBU1	B5	CC2
A9	VBUS	B4	VBUS
A12	GND	B1	GND
Pin	Signal Name	Pin	Signal Name

3	Shell	Stainless Steel; T=0.3mm
2	Contact	Copper Alloy, Au/Nickel plated
1	Housing	LCP+30% G.F, Black, UL 94V-0
No.:	Name	DESCRIPTION

TOLERANCE	PROJECTION	Description:	USB Type C Female, MID MOUNT 1.1mm, 16P SMD R/A
.X ±0.30	UNITS		
.XX ±0.20	SHEET		
.XXX ±0.10	Draw:	KLS P/N:	KLS1-5462X
X. ±2°	Check:		
.X ±1°	Date		
.XX ±0.5°			

KLS NingBo KLS ELECTRONIC CO.,LTD.