



TRIF

MAIN FEATURES

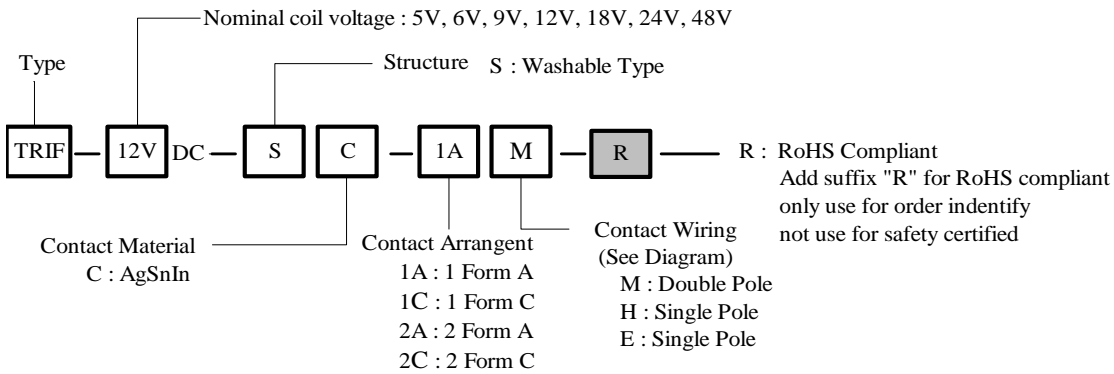
- 10A switching capabilities.
- 1 & 2 pole configurations.
- 5KV dielectric coil to contacts.
- Low height of 12.5mm.
- Sealed & Unsealed types available.

APPLICATIONS

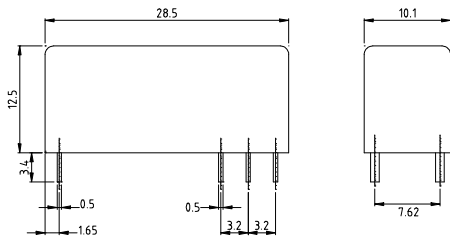
- Microwave Oven; Facsimile; Refrigerator, Air Conditioner, Stereo Equipment; Copy machine, TV Set, Monitor, Vending Machine, Temperature Controller, etc.



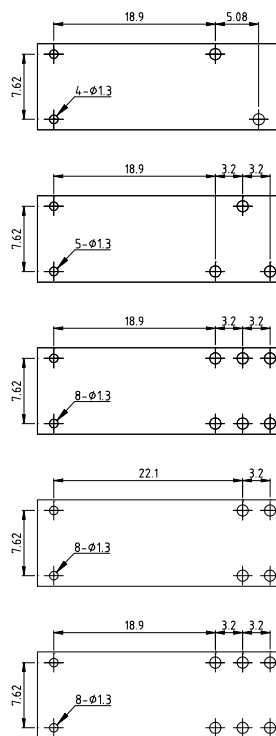
ORDERING INFORMATION



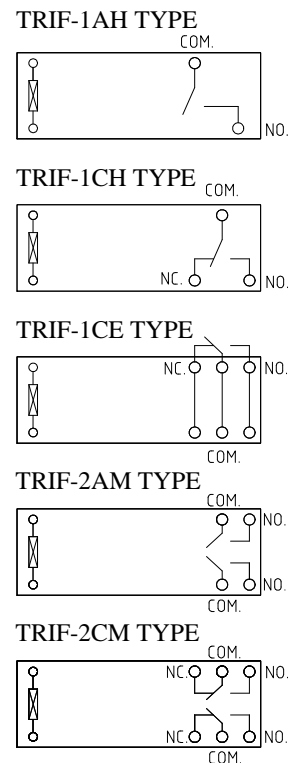
DIMENSION (unit:mm)



DRILLING (unit:mm)



WIRING DIAGRAM



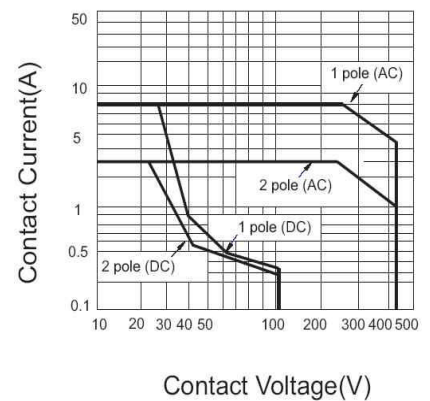
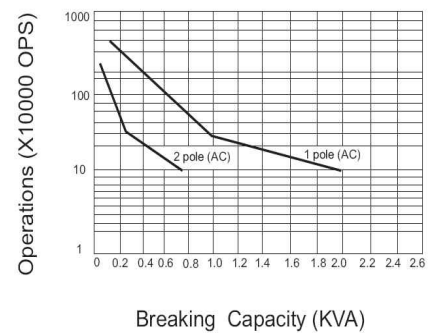
COIL DATA CHART (AT20°C)

Coil Sensitivity	Nominal Voltage (VDC)	Nominal Current (mA)	Coil Resistance (Ω) $\pm 10\%$	Power Consumption (W)	Pull-In Voltage (VDC)	Drop-Out Voltage (VDC)	Max-Allowable Voltage (VDC)
TRIF	5	44.2	113	0.22~0.29 W	70% Max.	10% Min.	110% Max.
	6	36.6	164				
	9	25	360				
	12	19.4	620				
	24	10.2	2350				
	48	6.0	8000				

CONTACT RATING

Item	Type	SPST (1A) , SPDT (1C)	DPST (2A) , DPDT (2C)
		TRIF-H/E	TRIF-M
Contact Capacity		10A 250VAC	5A 250VA
Resistive Load		10A 30VDC	5A 30VDC
Rated Carrying Current		10A	5A
Max. Switching Voltage		440VAC / 125VDC	
Max. Switching Current		10A	5A
Max. Switching Power Force		2000VA / 240W	750VA / 90W
Contact Material		Ag Alloy	

REFERENCE DATA



PERFORMANCE (at initial value)

Item	Type	TRIF
Initial Contact Resistance Max.		100m Ω
Operation Time		10msec Max.
Release Time		5msec Max.
Dielectric Strength		
Between coil & contacts		5000VAC, 1min
Between open contacts		1000VAC, 1min
Between Contact sets		2500VAC, 1min
Insulation Resistance		1000 M Ω , 500VDC
Shock Resistance		
Functional		NC: 49 m/s ² NO: 98 m/s ²
Destructive		980 m/s ²
Vibration Resistance		
NC (no coil voltage)		10 to 55Hz Double Amplitude 0.8mm
NO		10 to 55Hz Double Amplitude 1.65mm
Ambient temperature		-40°C to +85°C
Operating Humidity		35% to 85% RH
Mechanically Life		1 x 10 ⁷ ops
Electrically Life		1 x 10 ⁵ ops
Weight		abt. 8grs.
UL		Pending

This datasheet for reference and subject to change without notice. Please double check final specification with Tai-Shing.