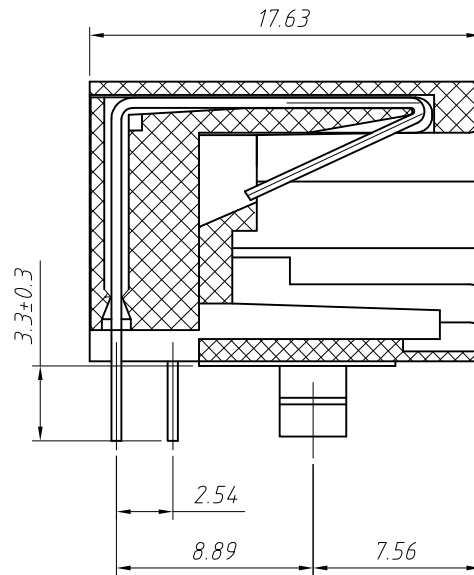
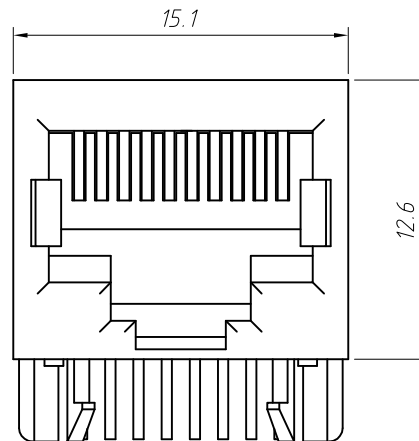


PCB Layout



SECTION



Material:  
 Housing: PBT+Glass Filled Polyester  
 Flammability Rating : UL94V-0  
 Contacts: Phosphor Bronze  $\phi 0.46\text{mm}$   
 Plating: Gold Plating

Electrical:  
 Voltage Rating: 125VAC  
 Current Rating: 1.5A  
 Contact Resistance: 30m $\Omega$  Max.  
 Insulation Resistance: 500M $\Omega$  Min.  
 Dielectric Strength: 1000VAC Rms 50Hz, 1 Min.  
 Durability: 600 cycles Min.  
 Operation Temperature: -40°C ~ +70°C

Order Information

L-KLS12-302-10P10C - 1 - XX

RoHS  
 Contacts: 10P10C  
 8P8C  
 Color Code:  
 1-Black  
 Plating Code:  
 01-Fu" Gold Plating  
 02-3u" Gold Plating  
 03-6u" Gold Plating  
 04-15u" Gold Plating  
 05-30u" Gold Plating

GENERAL TOLERANCE	PROJECTION		Description:
X. $\pm 0.50$	UNITS	mm	Modular jacks, RJ50-10PXC 1x1 without Shield
.X $\pm 0.25$	SCALE	1:1	
.XX $\pm 0.10$	Draw by:	Jenny	KLS P/N: L-KLS12-302-XPXC-1-XX
ANGLE TOLERANCE	Check by:	Daniel	NingBo KLS ELECTRONIC CO.,LTD.
X. $\pm 5^\circ$	Date	2018-03-01	
.X $\pm 3^\circ$	SHEET	1 OF 1	
.XX $\pm 2^\circ$			