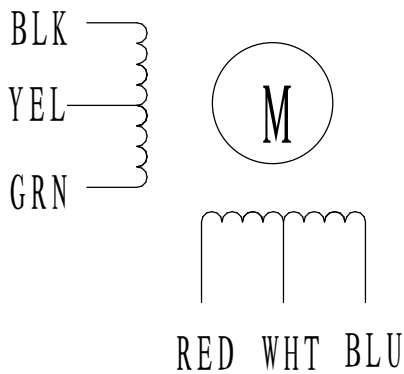


HIGH TORQUE HYBRID STEPPING MOTOR SPECIFICATIONS

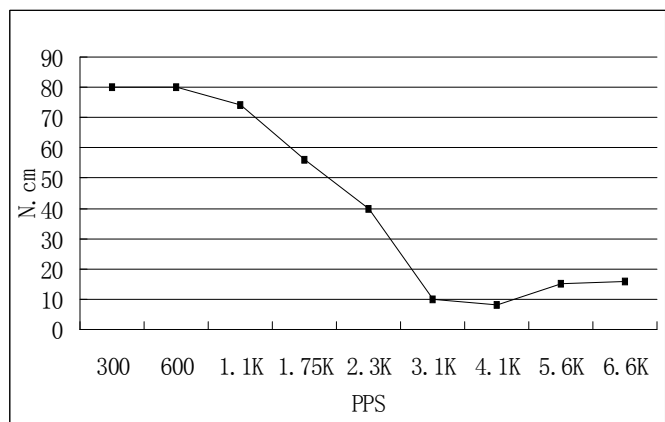
General specifications		Electrical specifications	
Step Angle (°)	0.9	Rated Voltage (V)	3.6
Temperature Rise (°C)	80 Max (rated current, 2 phase on)	Rated Current (A)	2.0
Ambient Temperature (°C)	-20 ~ +50	Resistance Per Phase ($\pm 10\%$ Ω)	1.8 (25°C)
Number of Phase	2	Inductance Per Phase ($\pm 20\%$ mH)	4.5
Insulation Resistance (MΩ)	100 Min (500VDC)	Holding Torque (N.cm)	90
Insulation Class	Class B		
Max. radial force (N)	75 (20mm from the flange)		
Max. axial force (N)	15		

● Wiring Diagram :

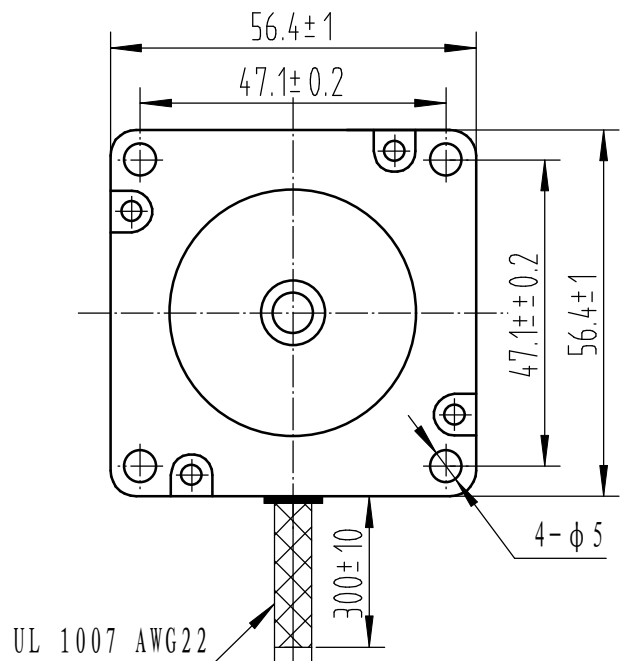
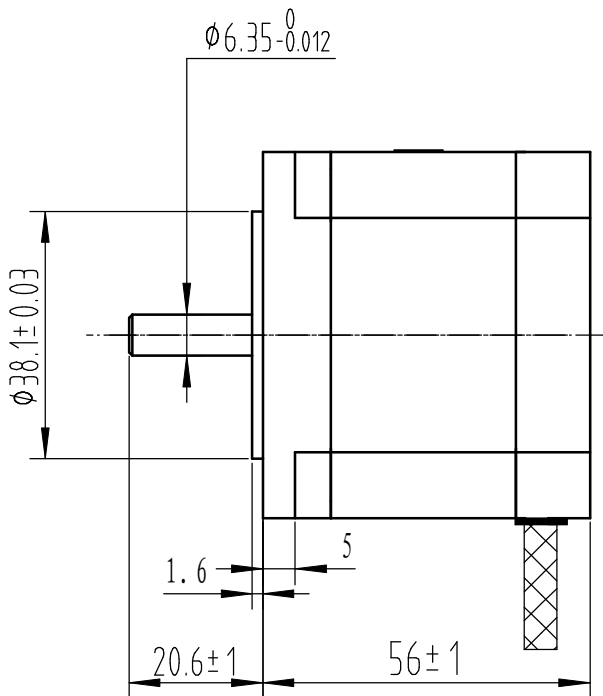


● Pull out torque curve :

VOLTAGE: 40VAC, CONSTANT CURRENT: 2.0A, HALF STEP



● Dimensions:
(unit=mm)



REV	REVISIONS	DESCRIPTION	BY	DATE	SY57STH56-2006MA	TECHNICAL CONDITIONS
DRAW	2013/02/19				CHANGZHOU SONGYANG MACHINERY & ELECTRONICS NEW TECHNIC INSTITUTE	070056001
CHECK						
APPROVE						

This document was created with Win2PDF available at <http://www.win2pdf.com>.
The unregistered version of Win2PDF is for evaluation or non-commercial use only.
This page will not be added after purchasing Win2PDF.