

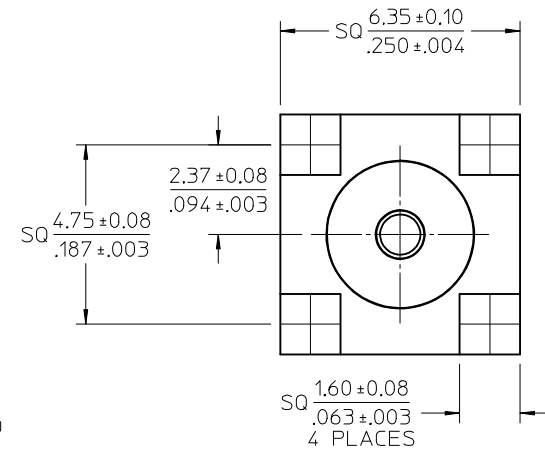
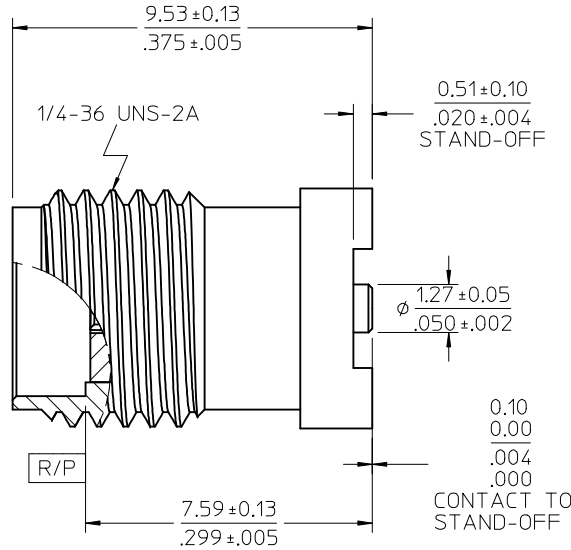
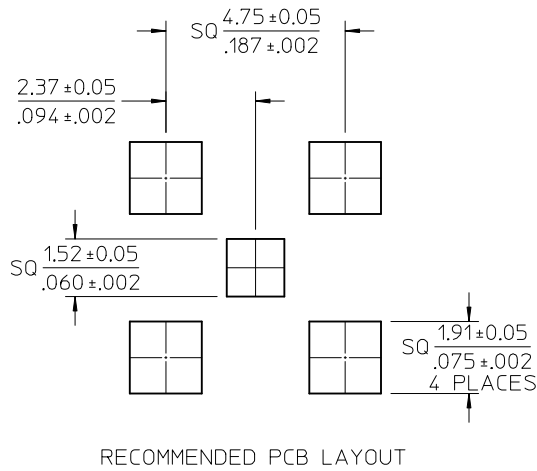
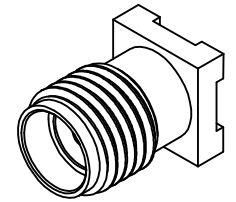
MATERIALS & FINISHES

BODY: BRASS
PLATED: SEE TABLE

CONTACT: BERYLLIUM COPPER
PLATED: GOLD

INSULATOR: TEFLON

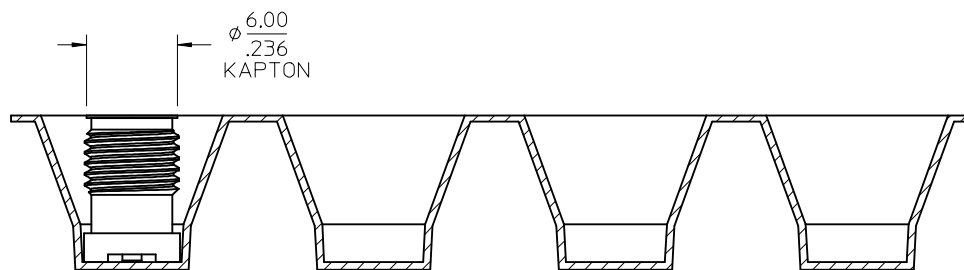
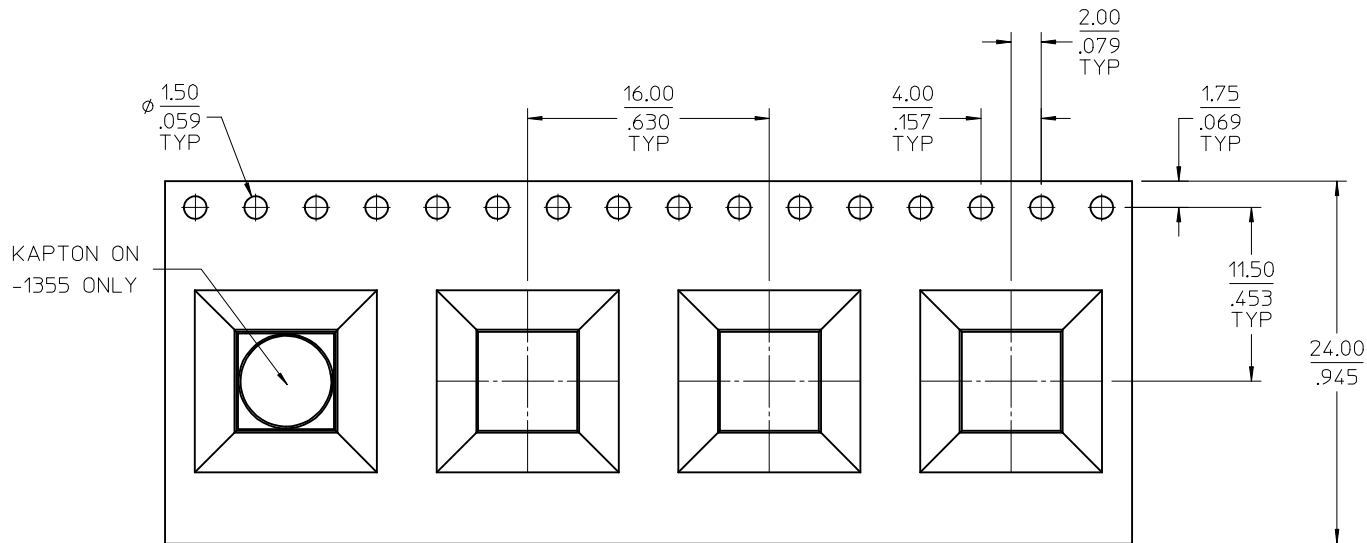
KAPTON: POLYIMIDE FILM
(ON -1355 ONLY)



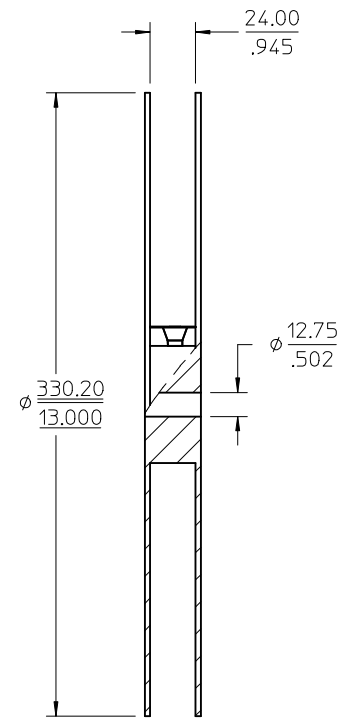
73251-1355	T & R W/KAPTON (400 PCS / REEL) BODY GOLD
73251-1354	TAPE & REEL (400 PCS / REEL) BODY NICKEL
73251-1353	TRAY PACK (80 PCS / TRAY) / BODY NICKEL
73251-1352	ONE PIECE 73251-1350 PER BAG / BODY GOLD
73251-1351	TAPE & REEL (400 PCS / REEL) / BODY GOLD
73251-1350	TRAY PACK (80 PCS / TRAY) / BODY GOLD
PART NO	TAPE & REEL (400 PCS / REEL) / BODY GOLD

MIL-STD-348A, FIG. 310.2	INTERFACE
SPECIFICATION	DESCRIPTION

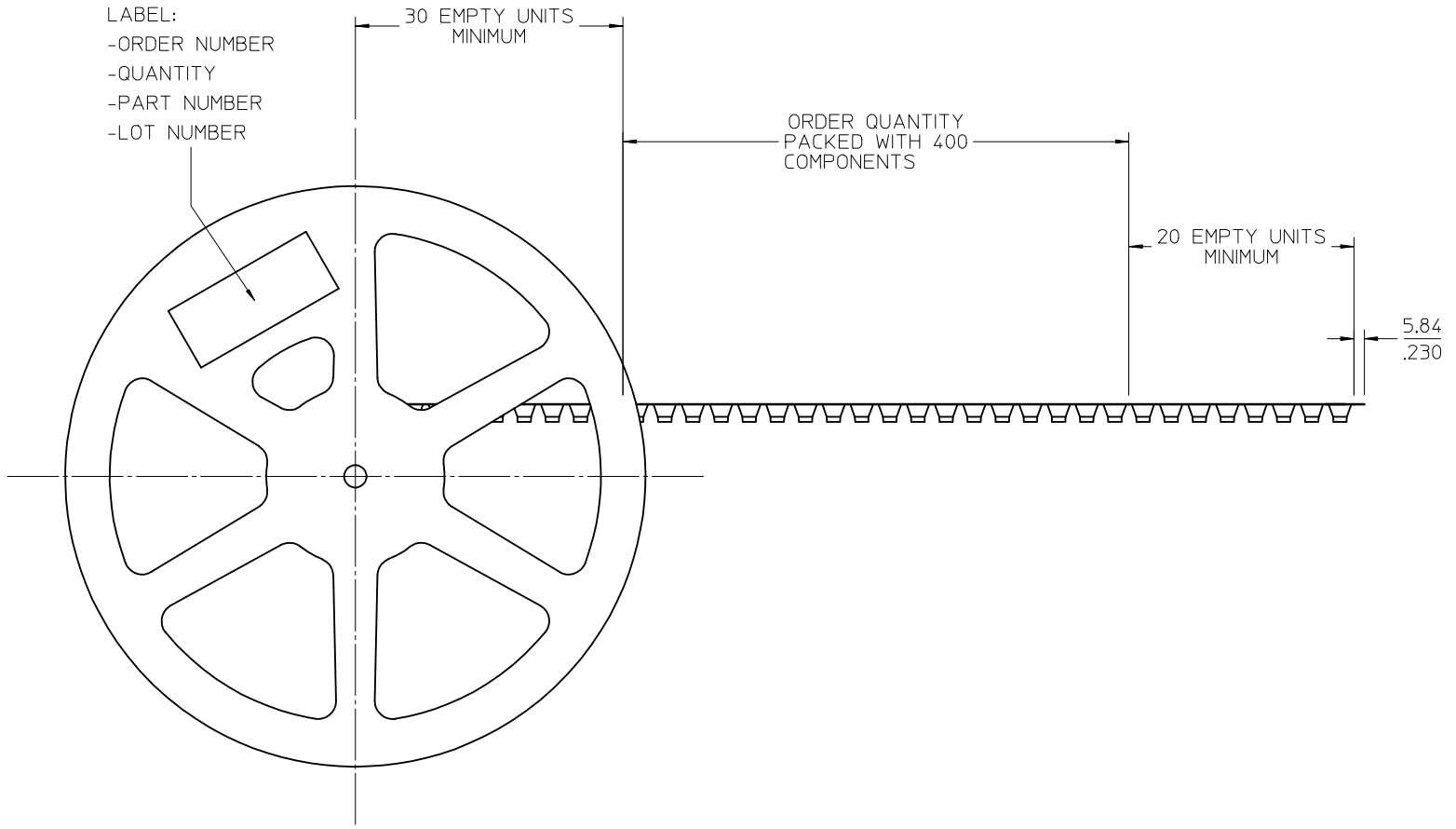
CHG-ADDED TOLERANCE PER RF15-E065 EC NO: URF2015-0222 DRWNR:YEH CHKD: APPR:YCHENG 2014/11/10 2014/11/27	QUALITY SYMBOLS ∇=0 ∇=0 ∇=0	GENERAL TOLERANCES (UNLESS SPECIFIED) <table border="1"> <tr> <th></th> <th>mm</th> <th>INCH</th> </tr> <tr> <td>4 PLACES</td> <td>± ---</td> <td>± ---</td> </tr> <tr> <td>3 PLACES</td> <td>± ---</td> <td>± ---</td> </tr> <tr> <td>2 PLACES</td> <td>± ---</td> <td>± ---</td> </tr> <tr> <td>1 PLACE</td> <td>± ---</td> <td>± ---</td> </tr> <tr> <td>0 PLACE</td> <td>±</td> <td>±</td> </tr> </table> ANGULAR ± 2 ° DRAFT WHERE APPLICABLE MUST REMAIN WITHIN DIMENSIONS		mm	INCH	4 PLACES	± ---	± ---	3 PLACES	± ---	± ---	2 PLACES	± ---	± ---	1 PLACE	± ---	± ---	0 PLACE	±	±	DIMENSION STYLE MM/IN DRAWN BY: SSS DATE: 2000/05/16 CHECKED BY: TFF DATE: 2000/05/16 APPROVED BY: GMH DATE: 2000/05/16 MATERIAL NO. SEE TABLE	SCALE 10:1 DESIGN UNITS METRIC THIRD ANGLE PROJECTION	TITLE SMA, JACK VERTICAL PCB SMT SMA-J/PCB, EWR-2107 molex DOCUMENT NO. SD-73251-135 SHEET NO. 1 OF 3
		mm	INCH																				
	4 PLACES	± ---	± ---																				
	3 PLACES	± ---	± ---																				
2 PLACES	± ---	± ---																					
1 PLACE	± ---	± ---																					
0 PLACE	±	±																					
THIS DRAWING CONTAINS INFORMATION THAT IS PROPRIETARY TO MOLEX INCORPORATED AND SHOULD NOT BE USED WITHOUT WRITTEN PERMISSION																							
B7																							
SIZE C																							



CHG:SEE SHEET 1 EC NO: URF2015-0222 2014/11/10 DRAWN:RYEH CHKD: APPR:YCHENG 2014/11/27	QUALITY SYMBOLS ▽=0 ▽=0 ▽=0	GENERAL TOLERANCES (UNLESS SPECIFIED)		DIMENSION STYLE MM/IN	SCALE 4:1	DESIGN UNITS METRIC	THIRD ANGLE PROJECTION						
		4 PLACES ± --- ± ---	3 PLACES ± --- ± ---	2 PLACES ± --- ± ---	1 PLACES ± --- ± ---	0 PLACE ± --- ± ---	ANGULAR ± 2 °	DRAFT WHERE APPLICABLE MUST REMAIN WITHIN DIMENSIONS	DRAWN BY SSS DATE 2000/05/16	CHECKED BY TEF DATE 2000/05/16	APPROVED BY GMH DATE 2000/05/16	TITLE SMA, JACK VERTICAL PCB SMT SMA-J/PCB, EWR-2107	MATERIAL NO. SEE TABLE



LABEL:
-ORDER NUMBER
-QUANTITY
-PART NUMBER
-LOT NUMBER



CHG:SEE SHEET 1	QUALITY SYMBOLS
EC NO: URF2015-0222	▽=0
DRW:RYEH 2014/11/10	▽=0
CHKD:	▽=0
APPR:YCHENG 2014/11/27	
REV	
B7	

GENERAL TOLERANCES (UNLESS SPECIFIED)	
	mm INCH
4 PLACES	± .005 ± .0002
3 PLACES	± .005 ± .0002
2 PLACES	± .005 ± .0002
1 PLACE	± .005 ± .0002
0 PLACE	± .005 ± .0002
ANGULAR ± 2 °	
DRAFT WHERE APPLICABLE MUST REMAIN WITHIN DIMENSIONS	

DIMENSION STYLE	
MM/IN	
DRAWN BY	DATE
SSS	2000/05/16
CHECKED BY	DATE
TEF	2000/05/16
APPROVED BY	DATE
GMH	2000/05/16
MATERIAL NO.	
SEE TABLE	

SCALE	DESIGN UNITS	THIRD ANGLE PROJECTION
1:2	METRIC	
TITLE		
SMA, JACK VERTICAL PCB SMT SMA-J/PCB, EWR-2107		
molex		
DOCUMENT NO.		SHEET NO.
SD-73251-135		3 OF 3
THIS DRAWING CONTAINS INFORMATION THAT IS PROPRIETARY TO MOLEX INCORPORATED AND SHOULD NOT BE USED WITHOUT WRITTEN PERMISSION		