

Side level sensor

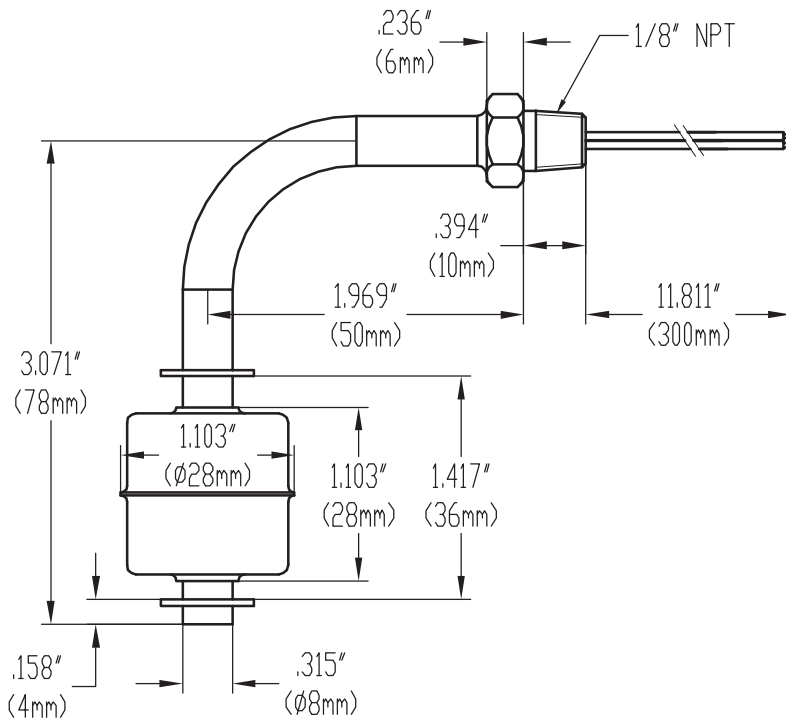
KLS26-MR1078-SL Stainless side level sensor

Material:

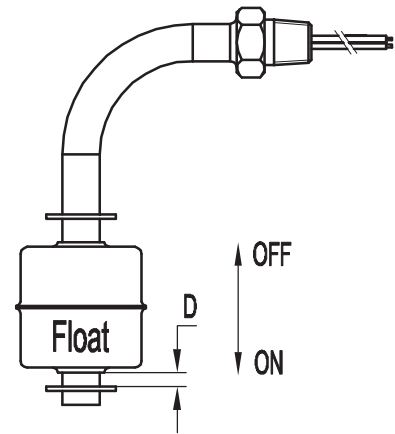
Float ball:SUS304
Float body:SUS304
E-ring:SUS304
Wire:UL 1015 22# black
Filling:epoxy glue
Reed switch:229

Electrical Specification:

Contact rating:50W
Max switching current:DC350/AC300
Breakdown voltage:600 min
Max switching voltage:DC0.7/AC0.5
Max carry current:2.5A
Contact resistance:100 max
Insulation resistance: 10^{10} min
Get an electric shock life: 10^7
Applicable temperature:-15°C~+125°C



Movement explanation



Movement explanation:

When the float drops to the D position in the position between $D=3\pm 1$ mm, the reed switches will be closed

ORDER INFORMATION

Product NO.: KLS26-MR1078-SL

Pos. NO.

Serial number