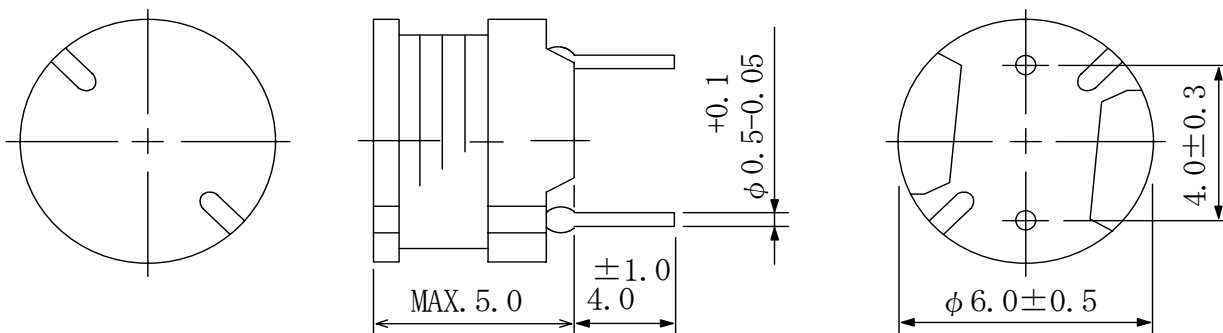


Type: RCH-654
◆ Product Description

- 6.5mm Max. ϕ , 5.0mm Max. Height.
- Inductance range: $1.0 \mu\text{H} \sim 1.0\text{mH}$
- Rated current range: $0.13 \sim 3\text{A}$
- In addition to the standard versions of inductors shown here, custom inductors are available to meet your exact requirements.


◆ Feature

- Magnetically unshielded construction.
- Ideally Used in Printers, LCD TV, DVD, Printer, Copy Machine, Mainboard of the compounding machines, etc as Power Supplies's Inductors or DC-DC Converter inductors.
- RoHS Compliance

◆ Dimensions (mm)


Type: RCH-654
◆ Specification

Part Name	Stamp	Inductance [Within] (μ H) ※1	D.C.R. ($m\Omega$)[Max.] at 20°C	Rated Current (mA)※2
RCH654NP-1R0M	1R0M	1.0 \pm 20%	29	3000
RCH654NP-1R5M	1R5M	1.5 \pm 20%	34	2850
RCH654NP-2R0M	2R0M	2.0 \pm 20%	39	2480
RCH654NP-2R5M	2R5M	2.5 \pm 20%	43	2210
RCH654NP-3R3M	3R3M	3.3 \pm 20%	48	1980
RCH654NP-3R9M	3R9M	3.9 \pm 20%	55	1830
RCH654NP-4R7M	4R7M	4.7 \pm 20%	60	1740
RCH654NP-5R6M	5R6M	5.6 \pm 20%	66	1530
RCH654NP-6R2M	6R2M	6.2 \pm 20%	72	1440
RCH654NP-7R2M	7R2M	7.2 \pm 20%	78	1350
RCH654NP-8R2M	8R2M	8.2 \pm 20%	85	1260
RCH654NP-100M	100M	10 \pm 20%	91	1200
RCH654NP-120M	120M	12 \pm 10%	100	1050
RCH654NP-150M	150M	15 \pm 10%	120	980
RCH654NP-180M	180M	18 \pm 10%	130	930
RCH654NP-220K	220K	22 \pm 10%	180	900
RCH654NP-270K	270K	27 \pm 10%	210	810
RCH654NP-330K	330K	33 \pm 10%	270	740
RCH654NP-390K	390K	39 \pm 10%	290	680
RCH654NP-470K	470K	47 \pm 10%	340	620
RCH654NP-560K	560K	56 \pm 10%	420	570
RCH654NP-680K	680K	68 \pm 10%	480	510
RCH654NP-820K	820K	82 \pm 10%	550	470
RCH654NP-101K	101K	100 \pm 10%	680	420
RCH654NP-121K	121K	120 \pm 10%	770	390
RCH654NP-151K	151K	150 \pm 10%	950	350
RCH654NP-181K	181K	180 \pm 10%	1150	320
RCH654NP-221K	221K	220 \pm 10%	1300	290
RCH654NP-271K	271K	270 \pm 10%	1550	260
RCH654NP-331K	331K	330 \pm 10%	2180	230
RCH654NP-391K	391K	390 \pm 10%	2470	210
RCH654NP-471K	471K	470 \pm 10%	2920	200
RCH654NP-561K	561K	560 \pm 10%	3970	180
RCH654NP-681K	681K	680 \pm 10%	4570	160
RCH654NP-821K	821K	820 \pm 10%	5280	150
RCH654NP-102K	102K	1000 \pm 10%	7060	130

※1: Measuring Frequency

 1.0 μ H ~ 8.2 μ H at 7.96MHz

 10 μ H ~ 82 μ H at 2.52MHz

 100 μ H ~ 1000 μ H at 1 kHz

 ※2: Rated current: The DC current at which the inductance decreases 90% of its initial value or when $\Delta t=40^\circ\text{C}$, whichever is lower ($T_a=20^\circ\text{C}$)