

RCA JACK Series

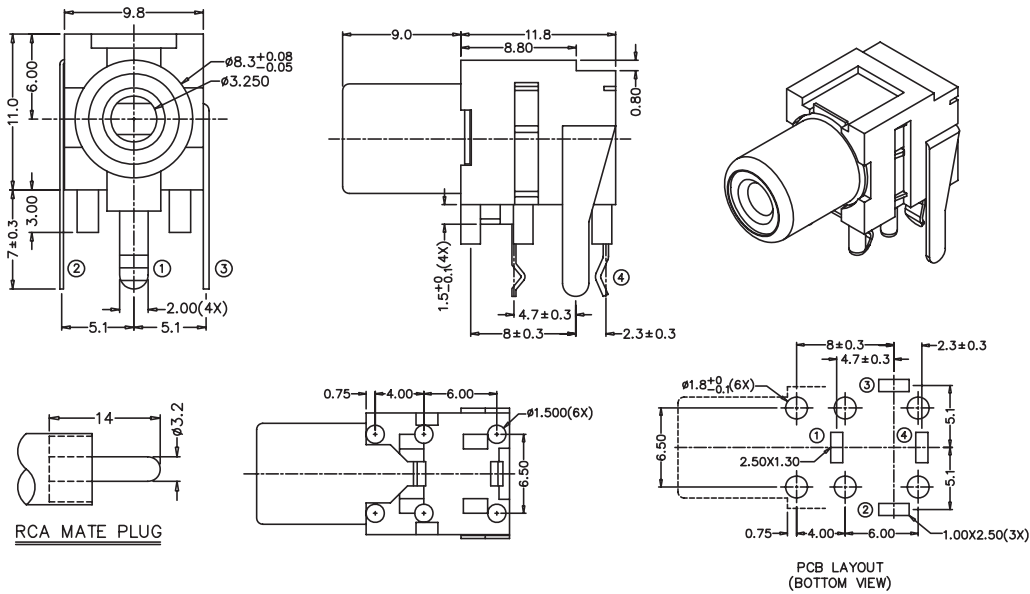
KLS1-RCA-103 RCA Jack PCB Mount Right Angle

Electrical Specification:

Contact resistance : 30mΩ Max
 Insulation resistance : 50MΩ Min at DC 500V
 Withstand voltage : AC 500V(50Hz) 1min
 Operating Temperature : -25°C~+85°C

Materials

Housing : PBT UL94V-0
 Terminal 1 : C. R. Steel
 Terminal 2 : Copper Alloy
 Terminal 3 : Brass
 Terminal 4 : Copper Alloy



MODEL NO.	RCA-103-4	RCA-103-3	RCA-103-2A	RCA-103-2B
SCHEMATIC				

ORDER INFORMATION

Product NO.: KLS1-RCA-103-4-N-R

Pos. NO. _____
 RCA Jack Type _____
 N:Nickel Plated _____
 Color: R: Red
 B: Black
 Y: Yellow
 W: White