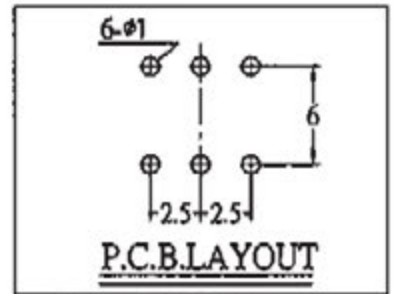
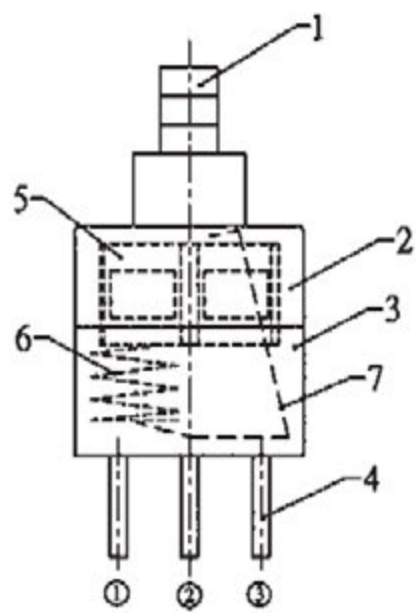
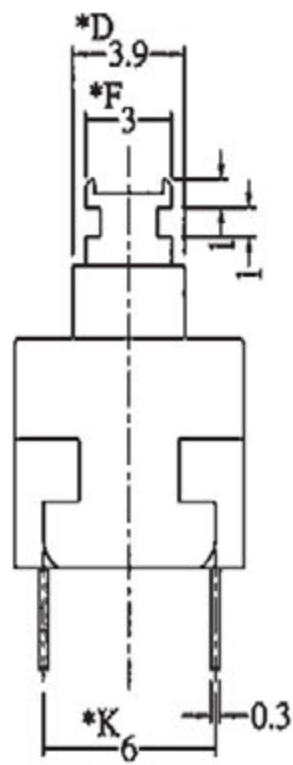


2.5mm FULL STROKE
1.5mm LOCK STROKE



* CRITICAL DIMENSION



SERIES : PUSH SWITCH
PART NAME: PS-22E80L (LOCKABLE)
UNIT : M M
SCALE : 4:1
REV : A/D

DWN. *[Signature]*
CHK'D *[Signature]*
APPD. *[Signature]*

04.02.06
04.02.06
06/07/09

DRAWING NO: CF-ENL-PS4013
GENERAL TOLERANCE
WITHIN 0.XXmm±0.15mm
OVER 0.Xmm±0.25mm

NO.	PART NAME	MATERIAL	QTY	FINISHING
7	CAM STICK	STEEL WIRE	1	NATURAL
6	SPRING	STEEL WIRE	1	NATURAL
5	CONTACT	C5210R-EH	2	Ag CLAD
4	TERMINAL	BRASS	6	Ag COATING
3	CASE	PA66	1	BLACK
2	COVER	POM	1	WHITE
1	KNOB	POM	1	BLUE