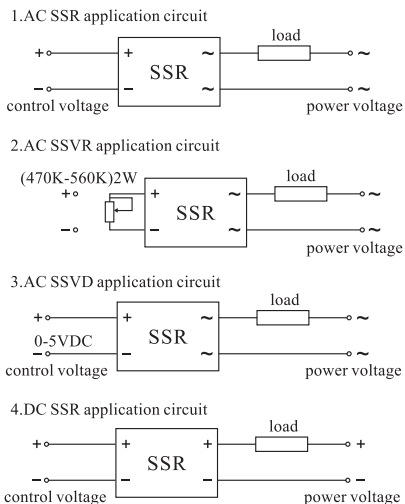


Overview

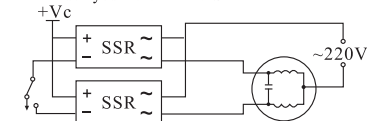
Solid state relay(SSR for short) is a non-contact switch which developed on modern microelectronics and power electronics technology .It has a long life, no contact, no spark, no noise, no electromagnetic interference, switching speed, anti-interference ability, reliable, and small volume, vibration, explosion proof, corrosion resistant, can integrated circuit compatible with TTL, HTL DTL,etc. With a small group of control signal to direct drive large current load. Widely applied to computer peripheral interface device, electric furnace heating and keeping constant temperature equipment.CNC machinery, remote control systems, industrial automation devices,Traffic lights,signal lights, lighting stage lighting control system,Instrument and meter, medical equipment, office equipment, rubber, machinery, automatic fire control, etc.SSR is more incomparable superior than the traditional electromagnetic relay.

- SSR: Solid State Relay series
- SSVR: solid-state voltage regulator series
- SSVD: solid-state voltage regulator series
- SSR-3P: Three-phase solid state relay series

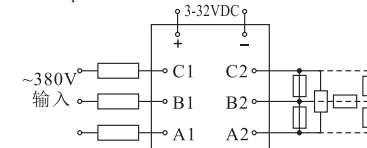
Application Circuit



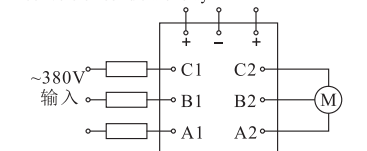
5.Motor positive and negative application circuit



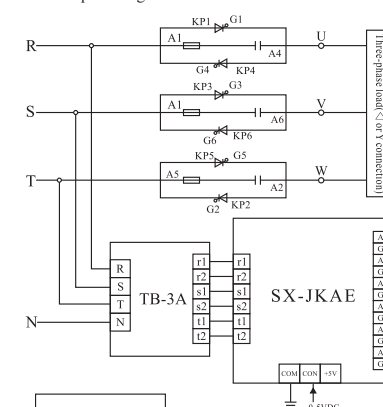
6.Three-phase load control



7.AC Three-phase motor positive and negative conversion solid state relay



8.Three-phase regulator



E, F, H type manual control G-type cannot be adjusted with potentiometer  
The above figure: 15Ω-30Ω, Over 3W  
C:0.1-0.47uf, Over 400VAC



Main technical parameters

Mode	Input parameters					Output parameters					Working current safety factor		
	Control voltage	Off voltage	Control current	Starting current	Work instructions	Working voltage	Working current	Insulation voltage	Protection		Cooling Conditions	Resistive load (Times)	Inductive load (Times)
								Over voltage	Over current				
SSR	3-32V DC	≤1.5V DC	<25mA	≤5mA	LED	380VAC 220VAC	1-40A	≥2500V AC	RC moc	Fast Fuse	10-30A With radiator 40-300A Strong cold with fans	2-3	5-7
	3-32V DC	≤1.5V DC	<25mA	≤8mA	LED	380VAC 220VAC	50-300A	≥2500V AC	RC moc	Fast Fuse			
SSVR SSVD	External adjust potentiometer (470K-560K)2W (0-5VDC)(0-10VDC)(4-20mA)					Voltage range 0-250VAC 0-380VAC	5-300A	≥2500V AC	RC moc	Fast Fuse	10-80A With radiator	2-3	5-7
SSR-3P	3-32V DC	<1.5V DC	≤70mA	≤15mA	LED	220VAC 380VAC 480VAC	10-100A	≥2500V AC	RC moc	Fast Fuse	10-100A With radiator	2-3	5-7



JGX Series  
Solid state relay  
Solid-state regulator

Manual