

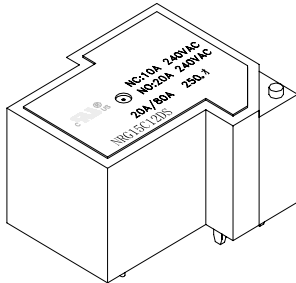


Industrial & Electrical Components

**Miniature  
P.C.B Relay**

Part No.

**NRP-15T**



**IEC255-7**

High switching capacity - 40A for 1 Form A  
Low coil consumption  
Small size, light weight, PCB mounting.  
UL/C-UL recognized

**CONTACT**

|                         |   |
|-------------------------|---|
| Arrangement             | 1A / 1B / 1C                                    |
| Contact Material        | Silver Alloy                                    |
| Contact Resistive       | 30 mΩ   |
| Rating                  | NO: 40A/240VAC, 14VDC                           |
| Resistive load (cosφ=1) | NC: 30A/240VAC, 14VDC<br>Motor Load: 2HP 250Vac |
| Max. Switching Voltage  | 250VAC 110VDC                                   |
| Max. Switching Current  | 40A   |
| Max. Switching Power    | 7200VA / 1100W                                  |
| Expected life           |   |
| Mechanical              | 1×10 <sup>7</sup> Min                           |
| Electrical              | 1×10 <sup>5</sup> Min.                          |

**CHARACTERISTICS**

|                           |                             |
|---------------------------|-----------------------------|
| Operate Time              | 15ms. Max.                  |
| Release Time              | 10ms. Max.                  |
| Initial breakdown voltage | 2500VAC 50Hz ( 6 pins type) |
| Between Coil & Contact    | 4000VAC 50Hz ( 5 pins type) |
| Between Open Contacts     | 1500VAC (50Hz)for 1 min.    |
| Insulation Resistance     | Min.1000MΩ (500 VDC)        |
| Shock: Endurance          | 200m/s <sup>2</sup> 11ms    |
| Damage                    |                             |
| Vibration: Endurance      | 10 to 55 Hz , 1.5mm D.A.    |
| Damage                    |                             |
| Humidity                  | 85%RH ( at 40 )             |
| Ambient temperature       | -55 to +100 /125 (F class)  |
| Unit weight               | 30g                         |

**ORDERING INFORMATION**

e.g

**NRP15T - C - 12D - B - H**

Part No. 15T= 40A version

Contact Form:

C=1C/O; A = N/O; B= N/C

Coil Voltage: 12D= 12Vdc

220A= 220VAC

B= Class B F= Class F

Coil Power, H=0.6W, Nil = 0.9W

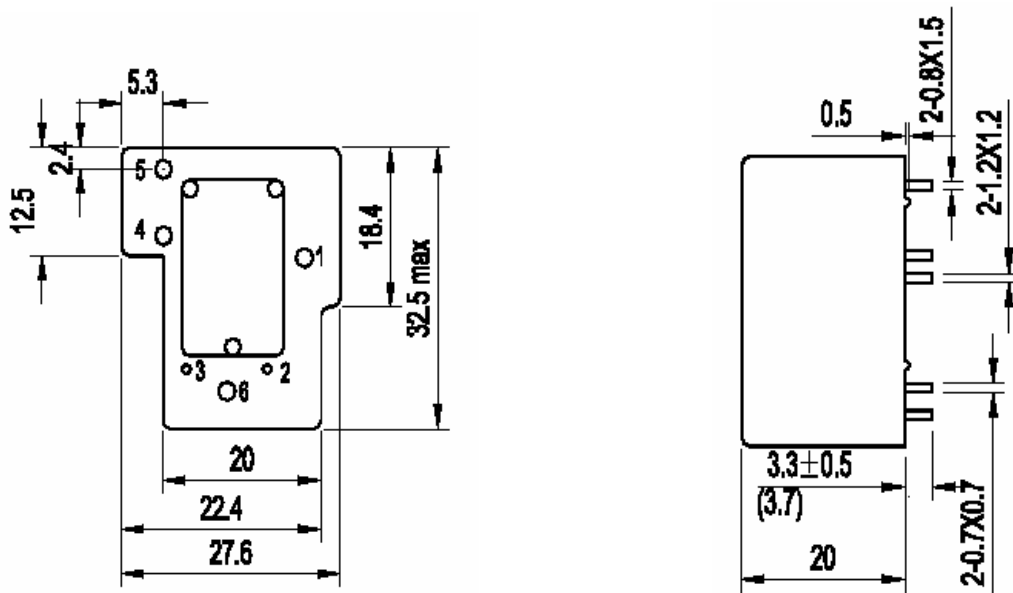
**COIL DATA (at 20 )**

| Nominal Voltage | Pick-up Voltage | Drop-out Voltage | Coil Resistance ( $\Omega$ ) $\pm$ 10% | Nominal operating Power (W) | Max.Allowable Voltage   |
|-----------------|-----------------|------------------|--|-----------------------------|-------------------------|
| DC Coils        | VDC(Max)        | VDC(Min)         |  |                             |                         |
| 3               | 2.25            | 0.30             | 10.0                                   | 0.90                        | 130% of nominal Voltage |
| 5               | 3.75            | 0.50             | 28.0                                   |                             |                         |
| 6               | 4.50            | 0.60             | 40.0                                   |                             |                         |
| 9               | 6.75            | 0.90             | 90.0                                   |                             |                         |
| 12              | 9.00            | 1.20             | 160.0                                  |                             |                         |
| 18              | 13.50           | 1.80             | 360.0                                  |                             |                         |
| 24              | 18.00           | 2.40             | 640.0                                  |                             |                         |
| 48              | 36.00           | 4.80             | 2560.0                                 |                             |                         |
| 110             | 82.50           | 11.00            | 13445.0                                |                             |                         |
| 3               | 2.25            | 0.30             | 15.0                                   | 0.60                        | 130% of nominal Voltage |
| 5               | 3.75            | 0.50             | 42.0                                   |                             |                         |
| 6               | 4.50            | 0.60             | 60.0                                   |                             |                         |
| 9               | 6.75            | 0.90             | 135.0                                  |                             |                         |
| 12              | 9.00            | 1.20             | 240.0                                  |                             |                         |
| 18              | 13.50           | 1.80             | 540.0                                  |                             |                         |
| 24              | 18.00           | 2.40             | 960.0                                  |                             |                         |
| 48              | 36.00           | 4.80             | 3840.0                                 |                             |                         |
| 110             | 82.50           | 11.00            | 20167.0                                |                             |                         |
| <b>AC Coils</b> |                 |                  |  |                             |                         |
| 12              | 9.00            | 3.60             | 27.0                                   | 2VA                         | 130% of nominal Voltage |
| 24              | 18.00           | 7.20             | 120.0                                  |                             |                         |
| 110             | 82.50           | 33.00            | 2360.0                                 |                             |                         |
| 120             | 90.00           | 36.00            | 3040.0                                 |                             |                         |
| 220             | 165.00          | 66.00            | 13490.0                                |                             |                         |

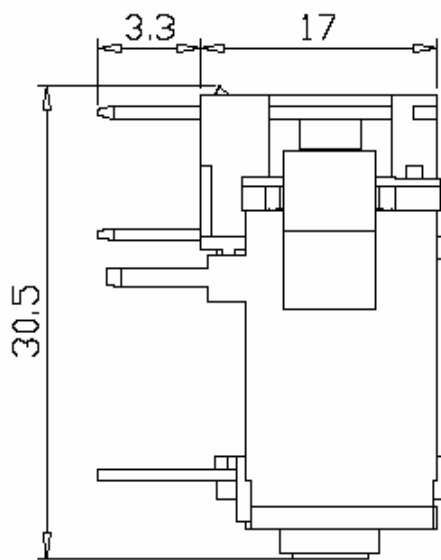
**DIMENSIONS**

Unit: mm

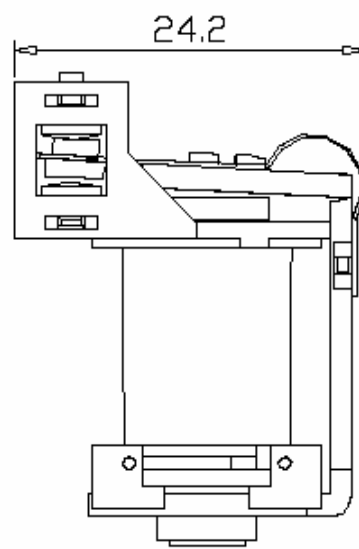
Seal type ( with dust cover )



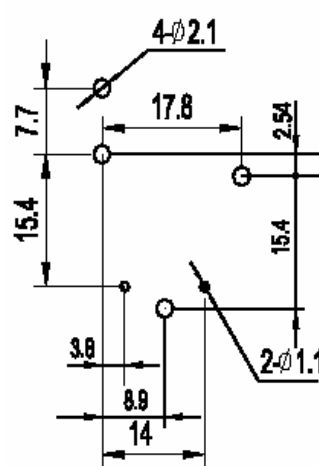
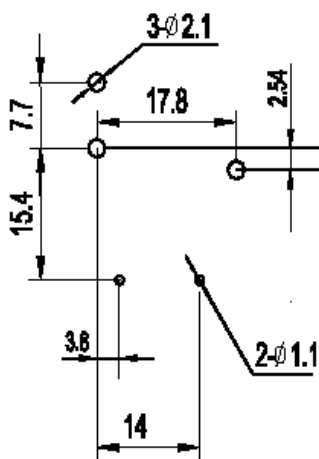
Open Type (without cover)



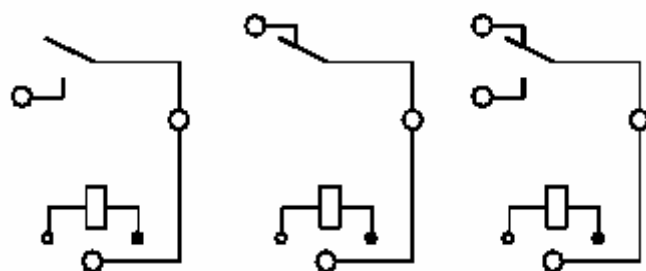
5 Pins



6 Pins



## WIRING DIAGRAM



1A

1B

1C



Industrial & Electrical Components