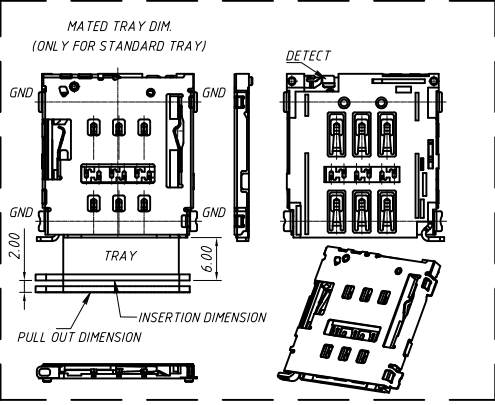
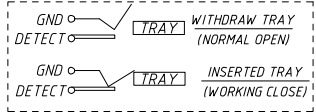


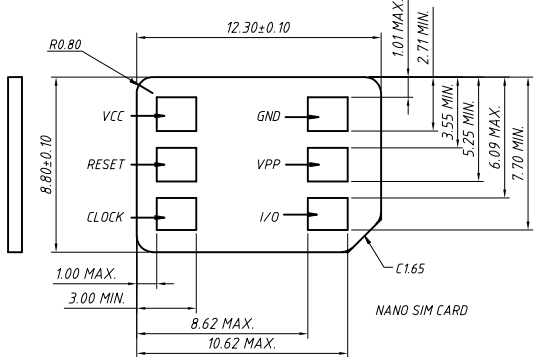
Circuit Diagram For Switch



:PCB PAD AREA  
 :KEEP OUT AREA  
 :NO COPPER AREA

RECOMMENDED PCB BOARD LAYOUT  
TOLERANCE ±0.05(TOP VIEW)

**Electrical:**  
 Current Rating:1 Amp/Pin.MAX.  
 Voltage:30V DC.MAX  
 Low Level Contact Resistance:30mΩ Max.Initially.  
 Dielectric Withstanding Voltage:500V AC MIN.For 1 minute.  
 Insulation Resistance:100MΩ Min.500V DC .For 1 minute.  
 Durability:1000 Cycles.  
 Operating Force (Inserting & Withdrawal):1N-10N.  
 Operating Temp Range:-25°C TO +85°C (Including Terminal Temp.Rise)  
 Storage Temp:-40°C TO +85°C



GENERAL TOLERANCE		ANGLE TOLERANCE		PROJECTION	Description:
X	±0.15	X	±5°	UNITS	Nano SIM CONN; Tray type,6Pin,H1.5mm,with CD Pin L-KLS1-SIM-102-H1.5-R
.X	±0.03	.X	±3°	SHEET SIZE	
.XX	±0.05	.XX	±2°	KLS P/N:	

Draw by: Jenny Date: 2018-03-10  
 Check by: Date: 2018-03-10  
 SCALE SHEET 1 OF 1

NingBo KLS ELECTRONIC CO.,L TD.