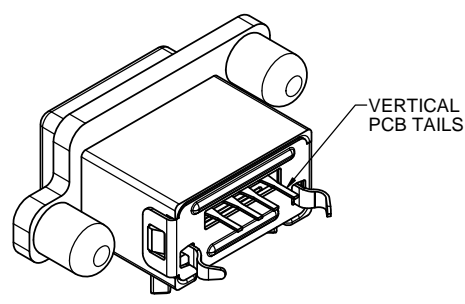
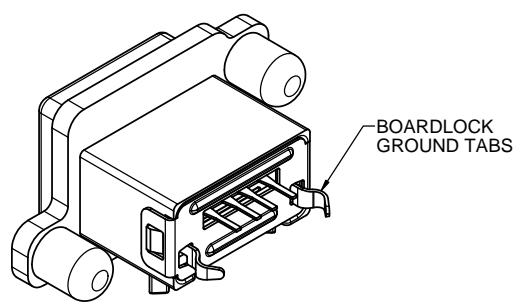
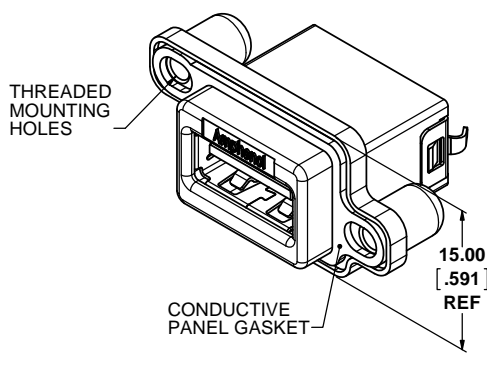
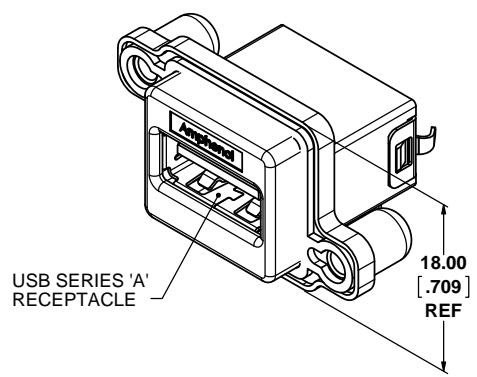
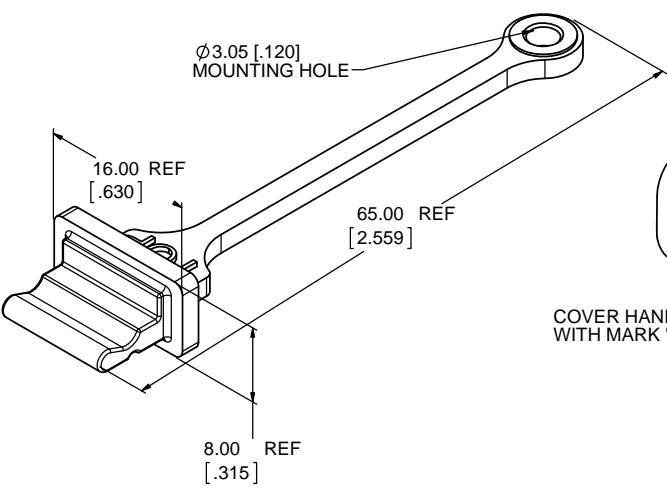


**STANDARD PROFILE SHELL**

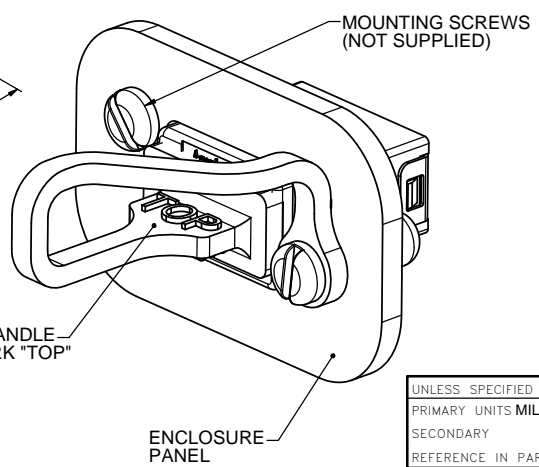
**LOW PROFILE SHELL**



**DUST COVER OPTION**  
SEE ORDERING CODE



**DUST COVER APPLICATION VIEW**



REVISIONS			
REV	DESCRIPTION, ECN, EAR NO.	DATE	APP'D
A	PRODUCT DRAWING (EAR 14115)	AUG27/12	K.L.

**ORDERING CODE: MUSBR-A511-XX**

SERIES, RUGGED USB

USB SERIES 'A' RECEPTACLE, SINGLE PORT, VERTICAL PCB TAIL

**SHELL & THREAD OPTION**  
 3 = STD. PROFILE, #4-40 UNC THREAD  
 4 = LOW PROFILE, #4-40 UNC THREAD  
 M = STD. PROFILE, M3 X 0.5 THREAD  
 R = LOW PROFILE, M3 X 0.5 THREAD

**DUST COVER OPTION**  
 0 = NO DUST COVER SUPPLIED  
 1 = WITH GREY DUST COVER SUPPLIED  
 5 = WITH BLACK DUST COVER SUPPLIED

**SPECIAL CONNECTORS**  
 MANY UNIQUE FEATURES ARE READILY AVAILABLE TO SUIT CUSTOMER REQUIREMENTS. CONSULT WITH AMPHENOL CANADA FOR DETAILS.

**NOTES:**

- MATERIAL:**
  - ALL MATERIALS ARE RoHS COMPLIANT PER EU DIRECTIVE 2002/95/EC AND AMENDMENTS.
  - OUTER SHELL - DIECAST ZINC ALLOY, NICKEL PLATED
  - CONTACTS - PHOSPHOR BRONZE, PLATED WITH 0.76µm (30µ") GOLD OVER 1.27µm (50µ") NICKEL ON THE MATING AREA WITH MATTE TIN PLATING ON THE TAILS.
  - USB HOUSING - ENGINEERING THERMOPLASTIC, HIGH TEMPERATURE RESISTANT, FLAMMABILITY RATING UL94V-0, BLACK.
  - USB SHIELD & BACK COVER - STAINLESS STEEL, PASSIVATED.
  - PANEL GASKET - CONDUCTIVE SILICONE RUBBER, BLACK
  - DUST COVER - SILICONE RUBBER WITH NICKEL PLATED BRASS BUSHING. SEE ORDERING CODE FOR DUST COVER COLOUR OPTIONS.
- ENVIRONMENTAL PERFORMANCE PER IEC 60529 CODE IP67 FOR SEAL BETWEEN MATING AREA AND PCB SIDE OF CONNECTOR. GASKET PROVIDES SEAL TO INSIDE FACE OF ENCLOSURE PANEL. AVAILABLE DUST COVER PROVIDES ADDED PROTECTION.
- CURRENT RATING: 1.5 AMPERES.
- CONTACT RESISTANCE: 30 MILLIOHMS MAXIMUM.
- OPERATING TEMPERATURE: -40°C TO +150°C.
- DUST COVERS MAY BE ORDERED SEPARATELY. SPECIFY
  - PART NUMBER MUSB-2A111-014BP FOR THE GREY COVER
  - PART NUMBER MUSB-2A111-024BP FOR THE BLACK COVER

THIS DOCUMENT CONTAINS PROPRIETARY INFORMATION AND SUCH INFORMATION MAY NOT BE DISCLOSED TO OTHERS FOR ANY PURPOSE OR USED FOR MANUFACTURING PURPOSES WITHOUT WRITTEN PERMISSION FROM AMPHENOL CANADA CORP.

UNLESS SPECIFIED OTHERWISE	DRAWN	A.ESPIE	AUG22/12
PRIMARY UNITS MILLIMETERS	CHECKED		
SECONDARY INCHES	M.E. APP'D		
REFERENCE IN PARENTHESES	Q.A. APP'D		
GENERAL TOLERANCES	DWG APPR.	K.LAMBIE	AUG27/12
1 DECIMAL PLACE	ENG. REL. NO.	ECN E14115	
2 DECIMAL PLACES ±0.15	REF.		
3 DECIMAL PLACES	THIRD ANGLE PROJECTION		
ANGULAR DEGREES	DO NOT SCALE DRAWING		

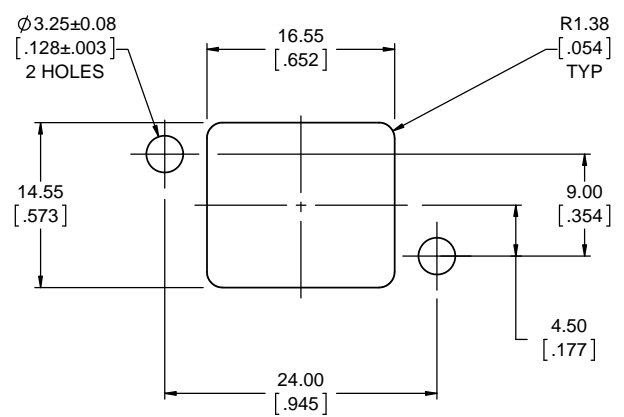
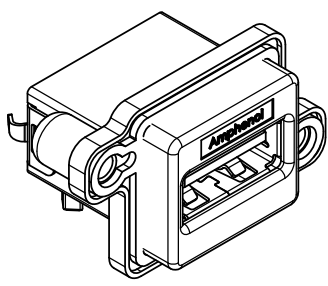
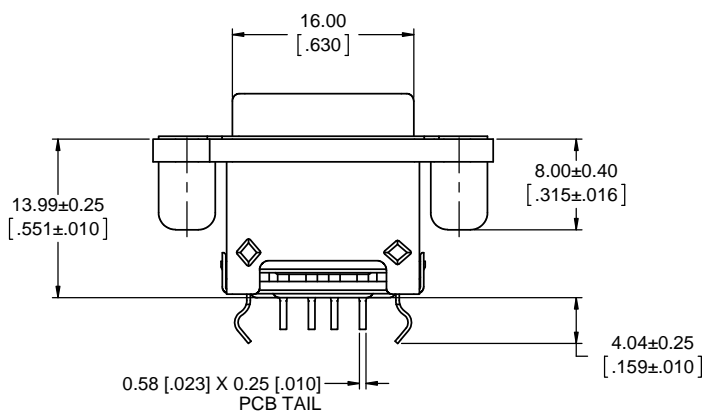
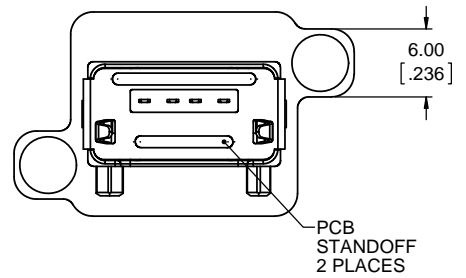
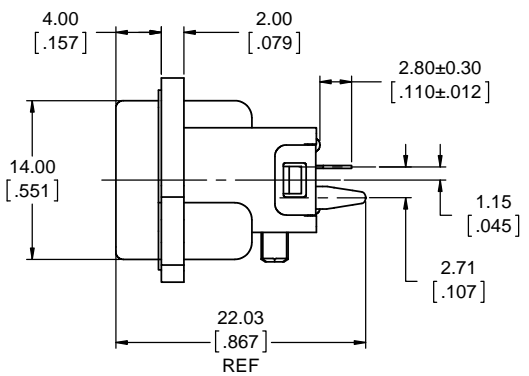
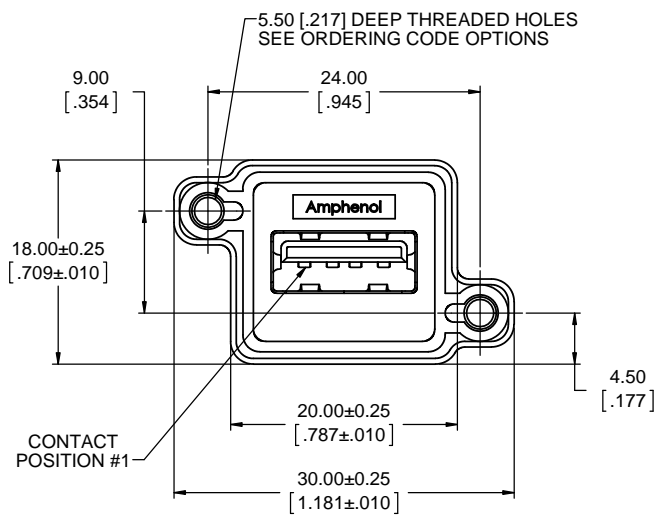
**Amphenol Canada Corp.**  
www.amphenolcanada.com

MUSBR SERIES RUGGED USB CONNECTOR, SERIES 'A' RECEPTACLE, SINGLE PORT, VERTICAL PCB TAIL, THREAD, SHELL & DUST COVER OPTIONS, RoHS COMPLIANT

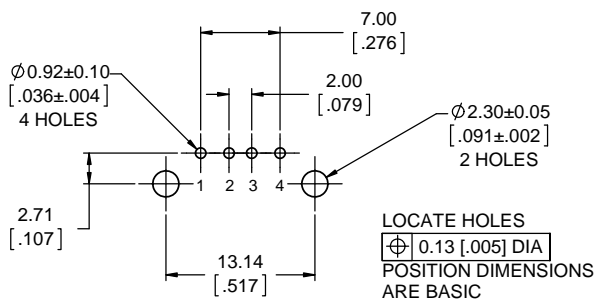
DWG. NO. **P-MUSBR-A511-XX** REV **A**

CODE ID NO. 03554 DWG. SIZE: X SCALE: 3:1 SHEET 1 OF 3

REVISIONS			
REV	DESCRIPTION, ECN, EAR NO.	DATE	APP'D
A	PRODUCT DRAWING (EAR 14115)	AUG27/12	K.L.



RECOMMENDED PANEL CUTOUT  
OUTSIDE VIEW OF PANEL



RECOMMENDED PCB LAYOUT  
COMPONENT SIDE OF BOARD



STANDARD PROFILE  
SHELL SHOWN

AMPHENOL CANADA PART NUMBERS: MUSBR-A511-3X  
MUSBR-A511-MX

THIS DOCUMENT CONTAINS PROPRIETARY INFORMATION AND SUCH INFORMATION MAY NOT BE DISCLOSED TO OTHERS FOR ANY PURPOSE OR USED FOR MANUFACTURING PURPOSES WITHOUT WRITTEN PERMISSION FROM AMPHENOL CANADA CORP.

UNLESS SPECIFIED OTHERWISE	DRAWN	A.ESPIE	AUG22/12
PRIMARY UNITS MILLIMETERS	CHECKED		
SECONDARY UNITS INCHES	M.E. APP'D		
REFERENCE IN PARENTHESES	Q.A. APP'D		
GENERAL TOLERANCES	DWG APPR.	K.LAMBIE	AUG27/12
1 DECIMAL PLACE	ENG. REL. NO.	ECN E14115	
2 DECIMAL PLACES ±0.15	REF.		
3 DECIMAL PLACES	THIRD ANGLE PROJECTION		
ANGULAR DEGREES	DO NOT SCALE DRAWING		

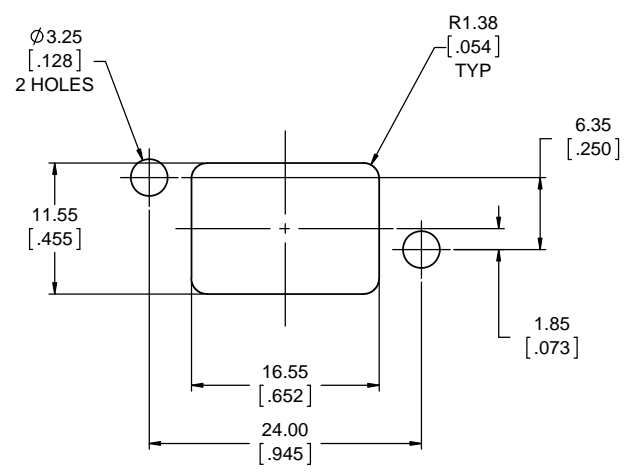
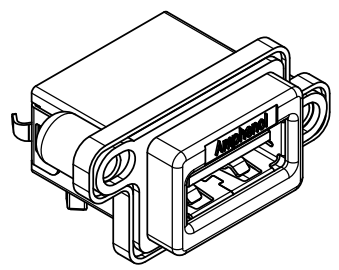
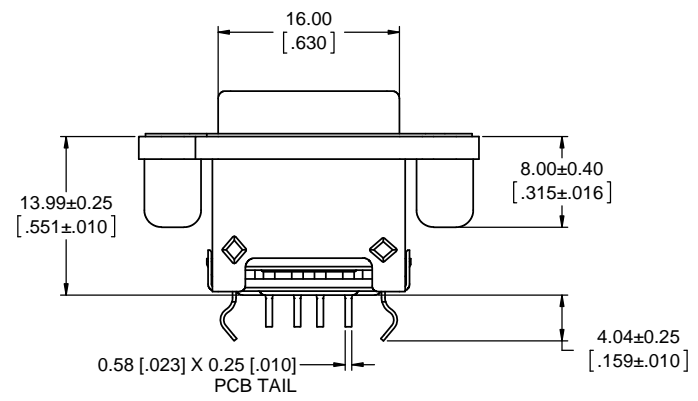
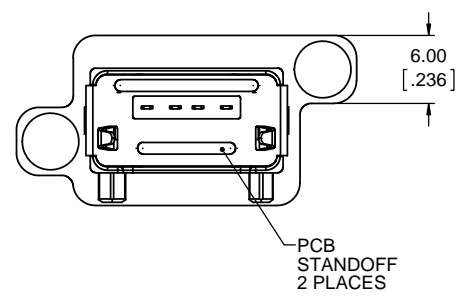
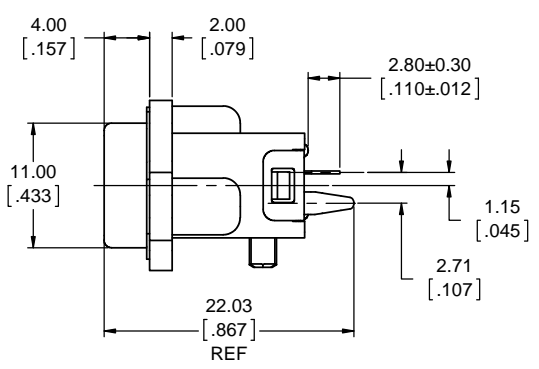
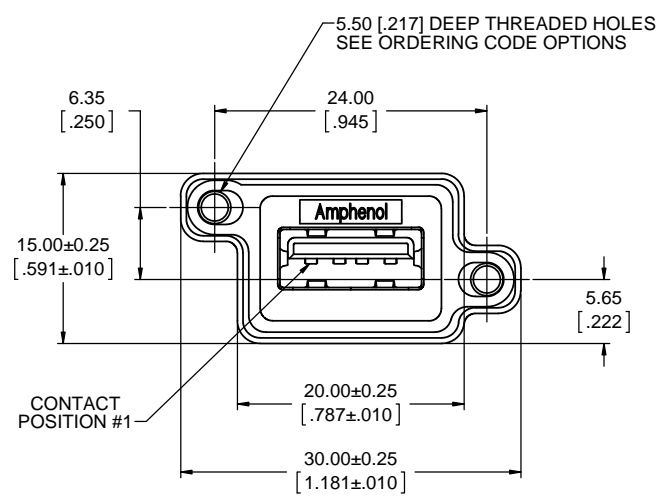
**Amphenol Canada Corp.**  
www.amphenolcanada.com

MUSBR SERIES RUGGED USB CONNECTOR, SERIES 'A' RECEPTACLE, SINGLE PORT, VERTICAL PCB TAIL, THREAD, SHELL & DUST COVER OPTIONS, RoHS COMPLIANT

DWG. NO. **P-MUSBR-A511-XX** REV **A**

CODE ID NO. 03554 DWG SIZE: X SCALE: 3:1 SHEET 2 OF 3

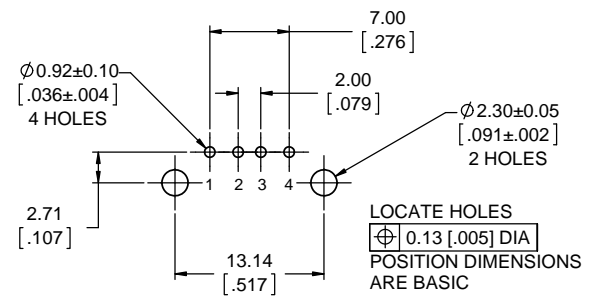
REVISIONS			
REV	DESCRIPTION, ECN, EAR NO.	DATE	APP'D
A	PRODUCT DRAWING (EAR 14115)	AUG27/12	K.L.



**RECOMMENDED PANEL CUTOUT**  
OUTSIDE VIEW OF PANEL

**LOW PROFILE SHELL SHOWN**

**AMPHENOL CANADA PART NUMBERS: MUSBR-A511-4X  
MUSBR-A511-RX**



**RECOMMENDED PCB LAYOUT**  
COMPONENT SIDE OF BOARD

UNLESS SPECIFIED OTHERWISE	DRAWN	A.ESPIE	AUG22/12
PRIMARY UNITS MILLIMETERS	CHECKED		
SECONDARY INCHES	M.E. APP'D		
REFERENCE IN PARENTHESES	Q.A. APP'D		
GENERAL TOLERANCES	DWG APPR.	K.LAMBIE	AUG27/12
1 DECIMAL PLACE	ENG. REL. NO.	ECN E14115	
2 DECIMAL PLACES ±0.15	REF.		
3 DECIMAL PLACES	THIRD ANGLE PROJECTION		
ANGULAR DEGREES	DO NOT SCALE DRAWING		

<b>Amphenol Canada Corp.</b> www.amphenolcanada.com		
MUSBR SERIES RUGGED USB CONNECTOR, SERIES 'A' RECEPTACLE, SINGLE PORT, VERTICAL PCB TAIL, THREAD, SHELL & DUST COVER OPTIONS, RoHS COMPLIANT		
DWG. NO.	REV	
<b>P-MUSBR-A511-XX</b>	<b>A</b>	
CODE ID NO. 03554	DWG SIZE: X	SCALE: 3:1
SHEET 3 OF 3		