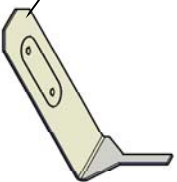
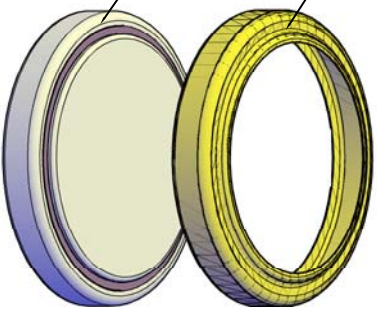


(Scale: 2 : 1)

Cathode tab
(负极焊片)

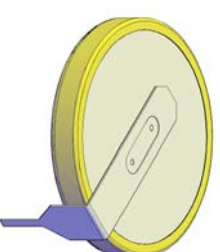
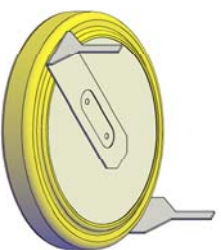
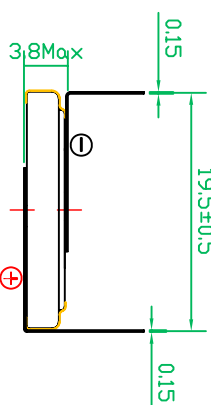
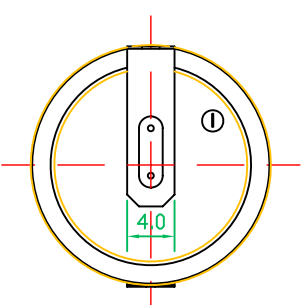
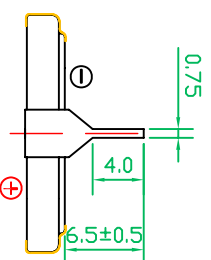
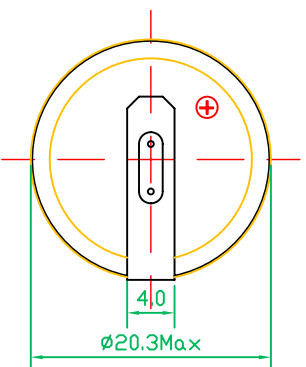
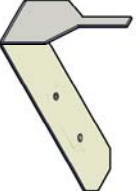


Yellow(黄色)
PVC



Cell(电芯):LIR2032
45mAh

Anode tab
(正极焊片)



- Remark(备注):
1. Cell(电芯): Button, Yellow PVC, with date code(扣式, 包黄色 PVC, 表面喷码)
 2. Cathode/Anode tab: Stainless steel plated with nickel
正/负极焊片材质: 不锈钢镀镍
 3. RoHS Compliant
严格按照ROHS要求生产

EEMB®
EEMB BATTERY

| | | | |
|------------|------------|-------------|---------|
| Drawn: | Helingling | Revise No.: | E4+2009 |
| Checked 1: | Naley | Projection: | |
| Checked 2: | Keyan | Page: | 1/1 |
| Approved: | | Scale: | 1.5: 1 |

| | |
|----------|--------------|
| Title | LIR2032-VBY2 |
| File NO. | A04702 |

| | |
|------------|------------|
| Draw Date: | 2011/05/25 |
|------------|------------|

| | |
|-------|----|
| Unit: | mm |
|-------|----|