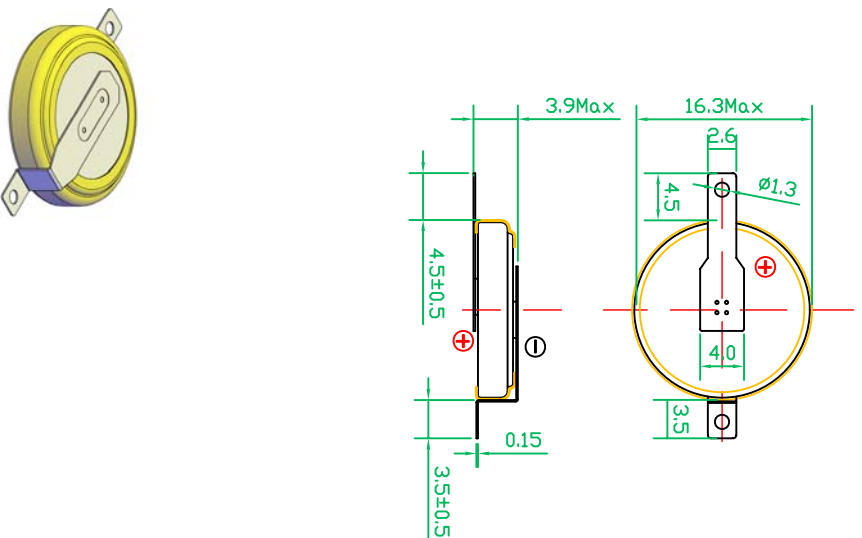
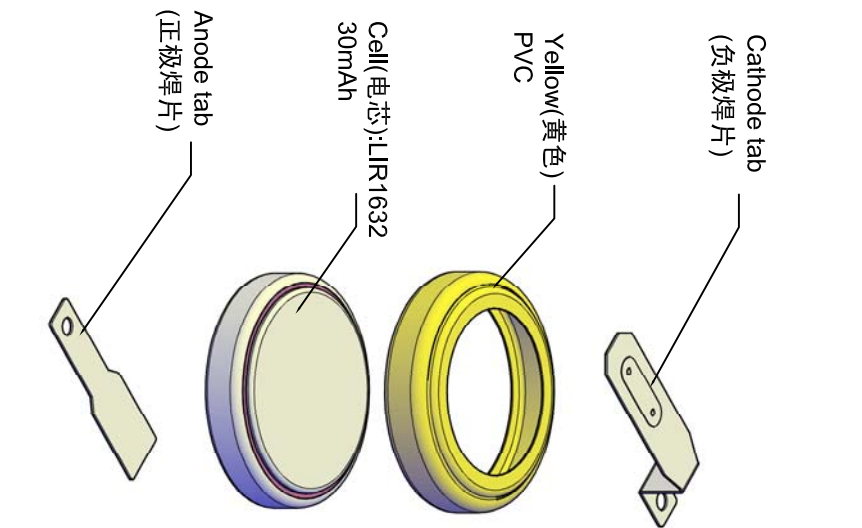


(Scale: 2 : 1)



4	ROHS Compliant / 严格按照ROHS要求生产
3	Cathode tab / 负极焊片 Stainless steel plated with nickel / 不锈钢镀镍
2	Anode tab / 正极焊片 Stainless steel plated with nickel / 不锈钢镀镍
1	Cell / 电芯 Button, Yellow PVC, with date code 扣式, 包黄色PVC, 电芯表面喷码
NO.	Parts Description



Title		File NO.		Drawn:		Moyongdi		Revise No.:		E4+2009	
LIR1632-LBY2		A00956		Checked 1:		Jane		Projection:		1/1	
Approved:		Draw Date:		Checked 2:		Keyan		Scale:		1.5: 1	
		09/12/28		Approved:				Unit:		mm	