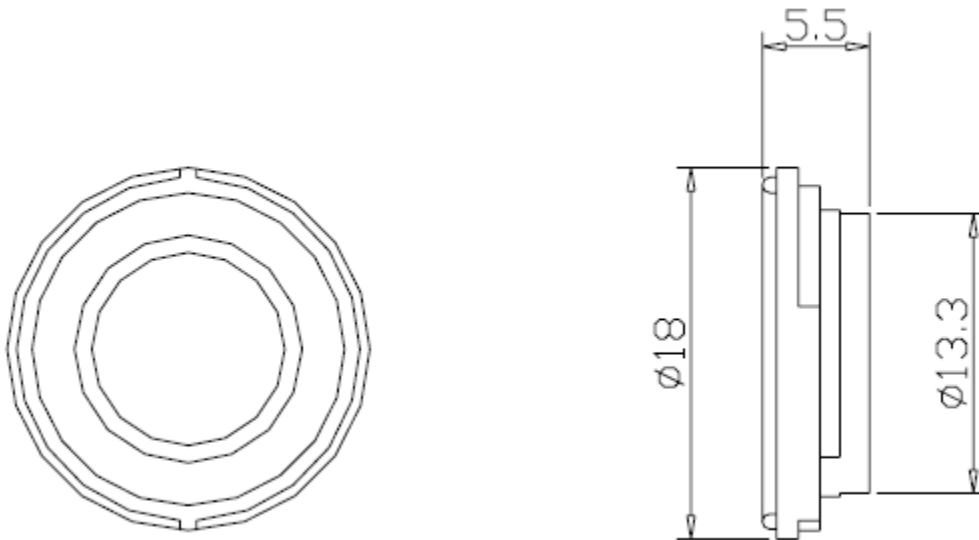


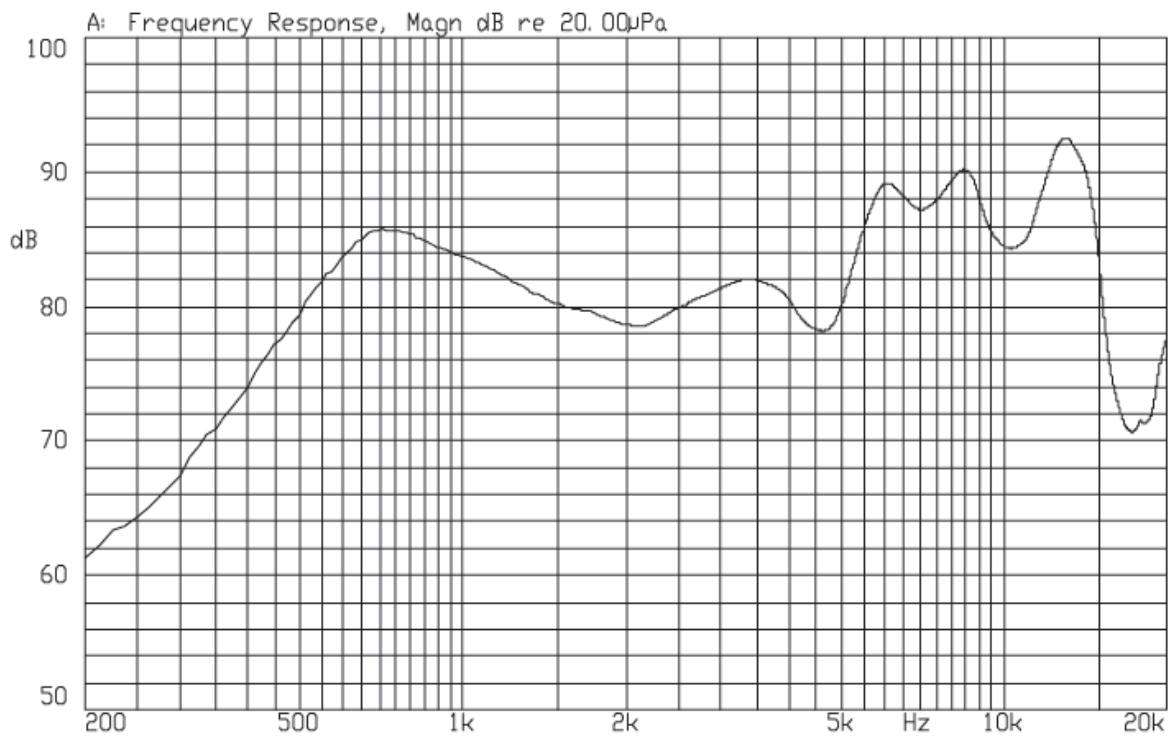
# LOUDITY LD-SP-UM18/8A



## Curve

### *Frequency Response Curve*

0.1W    0.1m    0.89V



## Specification

Type	Unit	Specification
Impedance(at 1KHz,1V)	$\Omega$	$8 \pm 15\%$
Rated(max)Power	W	1/2
Resonance Frequency(at 1V)	Hz	$850 \pm 20\%$
Frequency Range	Hz	Fo~20000
Sensitivity 0.1W/0.1m(AVG0.8,1.0,1.2,1.5)KHz	dB	$87 \pm 3$
Weight	g	12
Operating Temperature	$^{\circ}\text{C}$	$-20^{\circ}\text{C} \sim +60^{\circ}\text{C}$
Storage Temperature	$^{\circ}\text{C}$	$-30^{\circ}\text{C} \sim +70^{\circ}\text{C}$

## Environmental Test

High temp. Test	Keep 96 hours at $+70^{\circ}\text{C} \pm 3^{\circ}\text{C}$ and leave 3 hours in normal temperature and then check
Low temp. Test	Keep 96 hours at $-30^{\circ}\text{C} \pm 3^{\circ}\text{C}$ and leave 3 hours in normal temperature and then check
Vibration. Test	10~55~10Hz sin-wave sweep 15min. 5G(constant) X,Y, Z 3 direction. 2 hours each, total 6 hours.
Drop. test	Free drop a unit from 80cm height to a board of 20mm thick x,y, z 6 direction. 1 times each, total 6 times.
Load .test	Rated Power white noise is applied for 96 hours