

KP2 series connectors



KP2Gseries connectors have the feature of thread coupling , low contact resistance, reliability in connect, low price, Rain proof. Meet Russia stand. It is used in connecting the electrical & electronic equipment. The plug and receptacle can be mounting with pins or sockets. KP2G-16 can instead of 2PX-18, KP2G-22 can instead of 2PX-22.

Ordering information

KP2G 16- J 4 P J
 1 2 3 4 5 6

1. Name: KP2G series connectors
2. Type of Shell: 16, 22
3. Type of contacts: J: Pins, K: Sockets
4. Number of contacts: 3, 4, 5, 7, 10
 (KP2G-16 have 3, 4, 5, 7 pins / KP2G-22 have 4, 10 pins)
5. Type: P: Plug, TR: Right angle plug, A: Receptacle, AP: Cable receptacle
6. Plate contacts: J: Au plated, withou mark: Ag plated

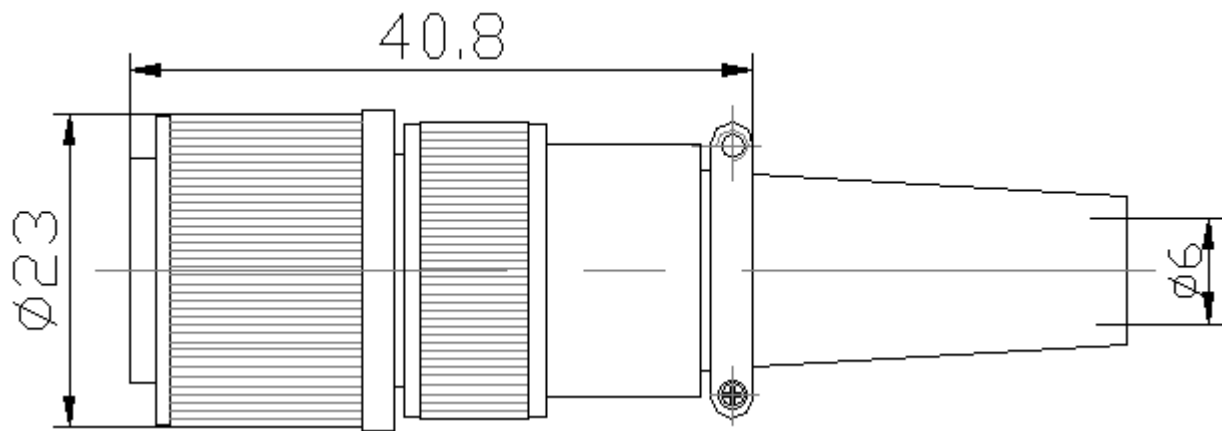
Technical characteristics

Temperature	Relative humidity	Atmosphere	Vibration	Shock	Endurance
-55 °C~ +100°C	98% At 40 °C	1KPa At 40°C	10~200Hz 150m/s ²	10~40times/min 250m/s ²	500 times

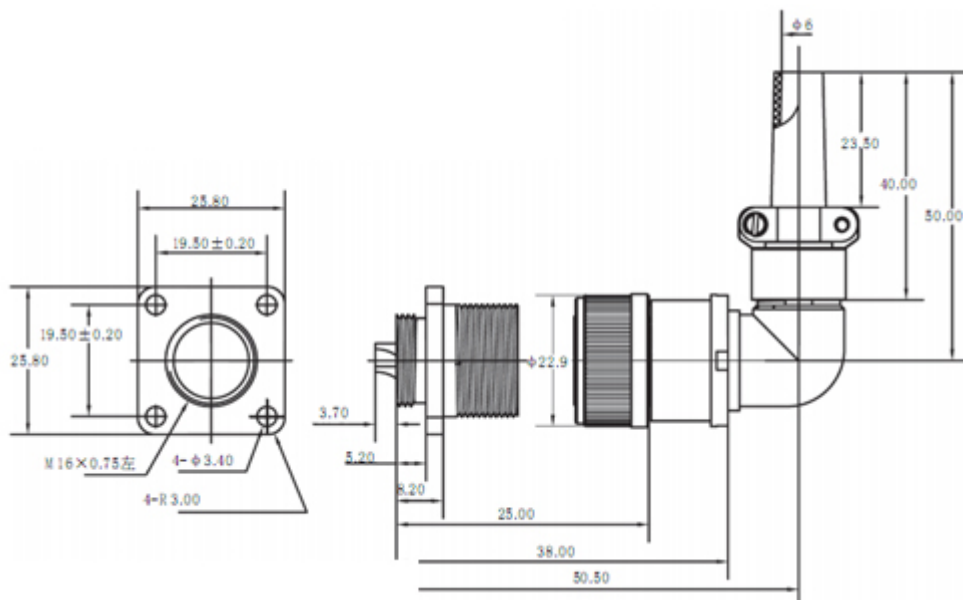
Contacts	Current	Voltage	Contact resistance
1mm	3 A	250V	≤5mΩ
Environment	Voltage proof		Insulation resistance
Normal	1200V		≥1000MΩ
High temperature	1000V		≥500MΩ
Moisture	800V		≥100MΩ
Low pressure	300V		≥50MΩ

Dimensions

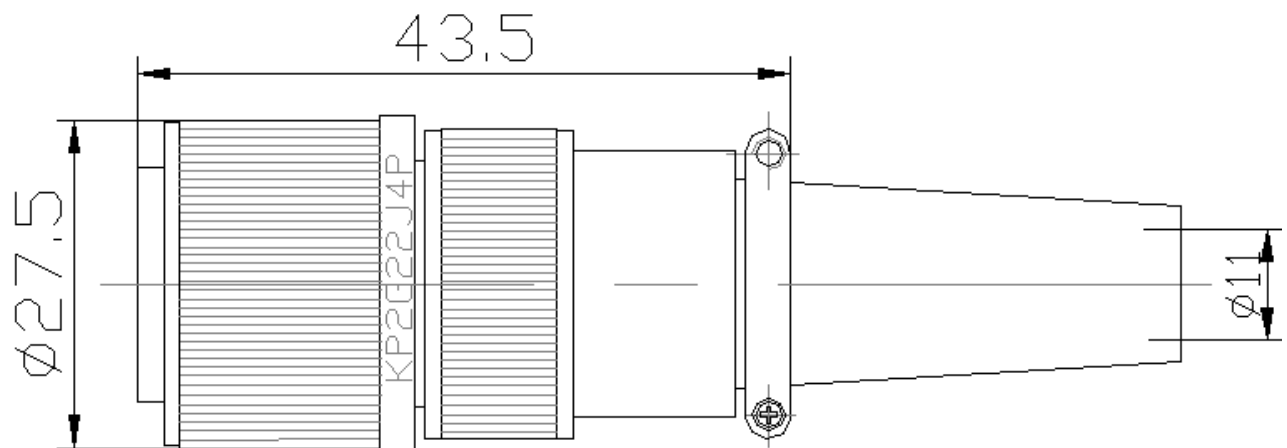
Plug:KP2G16-P



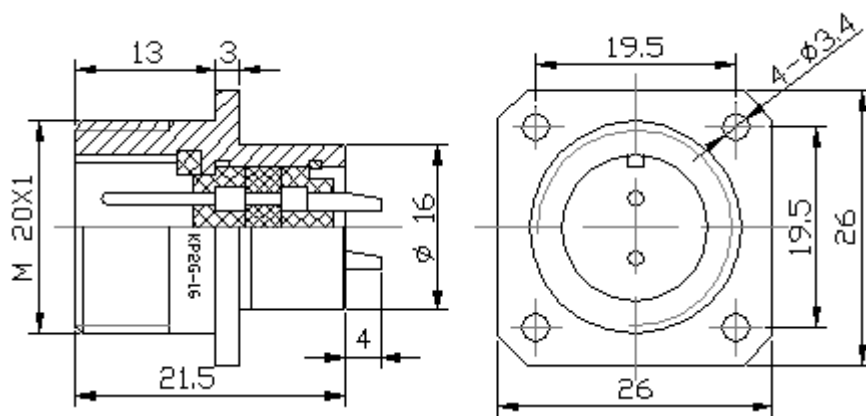
Right angle Plug+Receptacle:KP2G16-TR



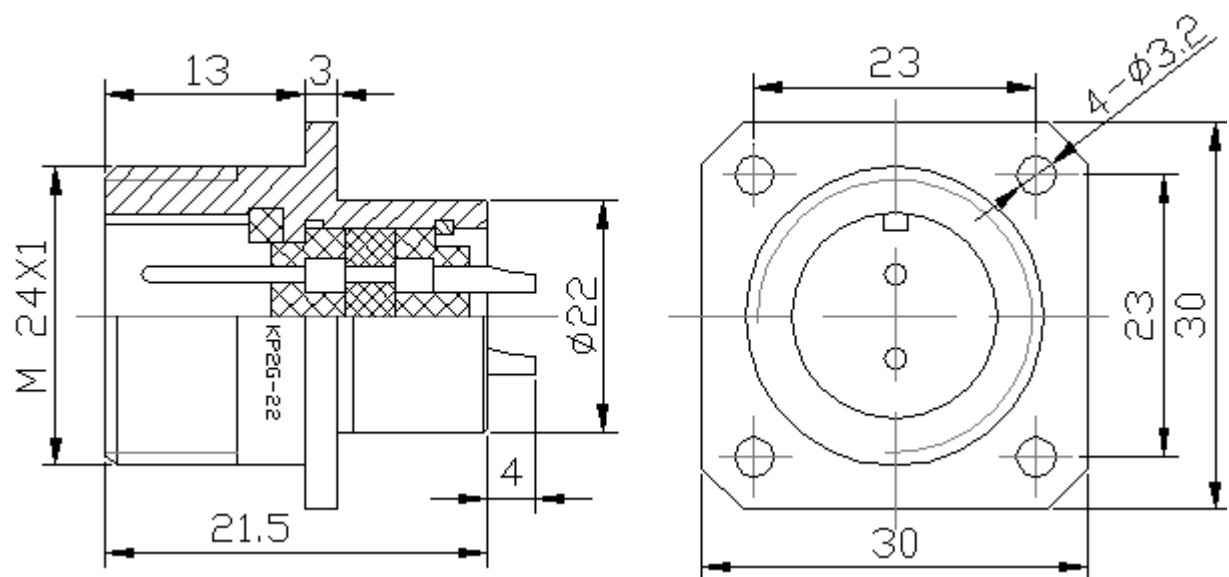
Plug:KP2G-22-P



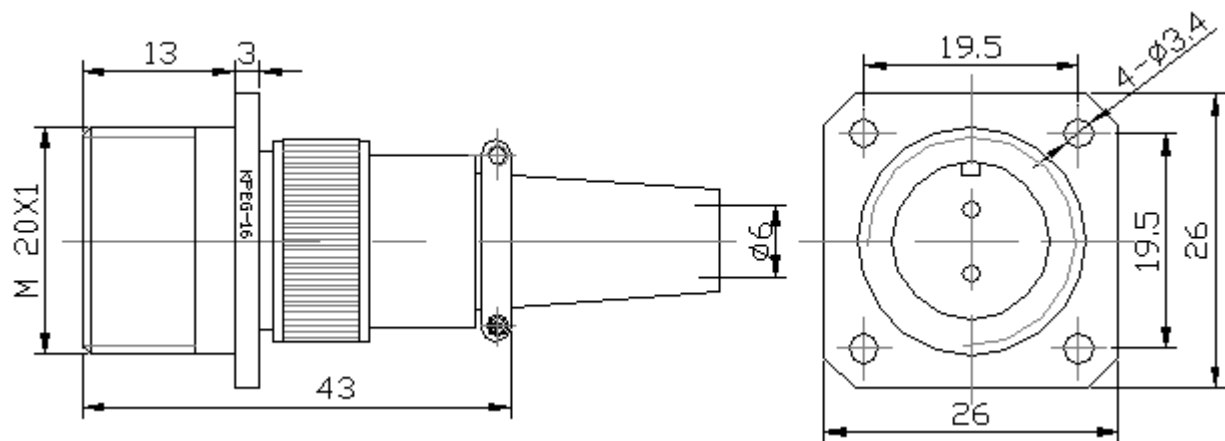
Receptacle:KP2G-16-A



Receptacle:KP2G-22-A



Cable Receptacle: KP2G-16AP



Cable Receptacle: KP2G-22AP

