

PCB Support*PCB Spacers

KLS8-PCSS

Specification parameters

Materials: Brass

Plating: according to customer requirements

Size:

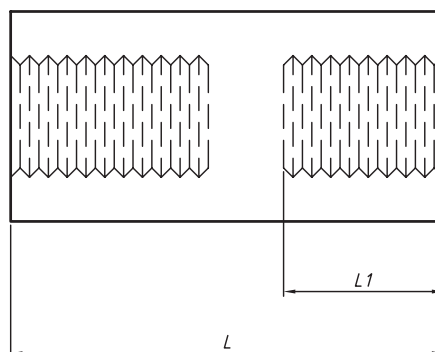
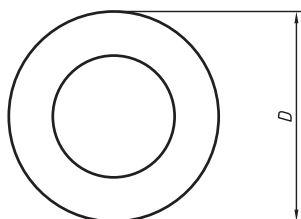
Brass PCB Spacer ,

M3 Screw , Dia.

Hight 5.5mm~50.0mm



VIII



KLS P/N	Material	Screw	D/mm	L1/mm	L/mm
KLS8-PCSS-6	Copper	M3	5.5	6	6
KLS8-PCSS-10	Copper	M3	5.5	6	10
KLS8-PCSS-15	Copper	M3	5.5	6	15
KLS8-PCSS-20	Copper	M3	5.5	6	20
KLS8-PCSS-25	Copper	M3	5.5	6	25
KLS8-PCSS-30	Copper	M3	5.5	6	30

ORDER INFORMATION

