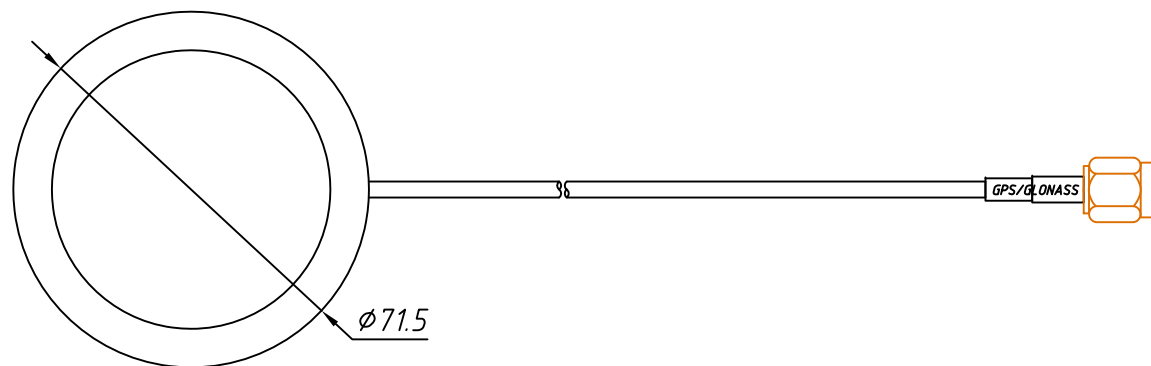
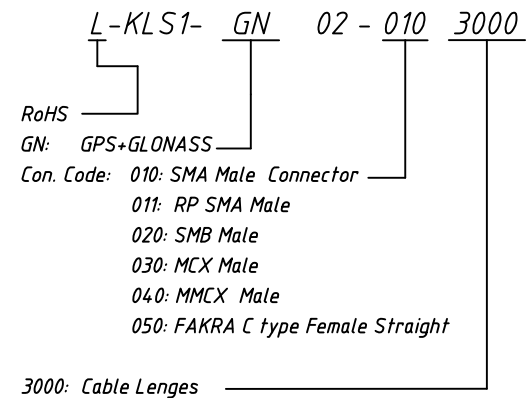


Specification:
 Antenna
 Center Frequency: 1602-1610MHz / 1575.42±3MHz
 Band Width: CF±5MHz
 Polarization: RHCP
 Gain: 5dBic
 V.S.W.R: <1.5
 Impedance: 50Ω
 Axial Ratio: 3dB (max)

LAN
 Gain: 28±2dB
 Noise Figure: <1.5
 Filter Insertion Loss: <3dB
 Ex-band Attenuation: 35dB@CF±50MHz/50dB@CF±100MHz
 Supply Voltage: 2.2~5V DC
 Current Consumption: 10~20mA
 V.S.W.R: <2.0
 Cable: RG174
 Connector: SMA/MCX/FAKRA or others
 Radome Material: ABS
 Mounting Method: Screw
 Operating Temperature: -40℃~+85℃

Order Information



ANGLE TOLERANCE			Description:
X.	±5°	PROJECTION	GPS + Glonass Antenna
GENERAL TOLERANCE		UNITS	KLS P/N: L-KLS1-GN02-010XXXX
X.	±0.60	SHEET SIZE	A4
.X	±0.38	Draw:	Daniel 2019-01-21
.XX	±0.25	Check:	Daniel 2019-01-21

 NingBo KLS ELECTRONIC CO.,L TD.