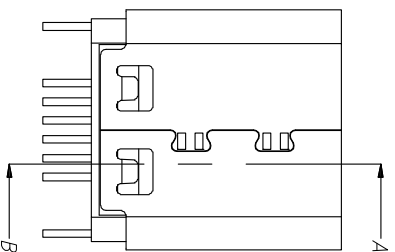
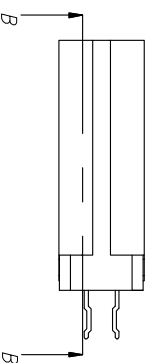
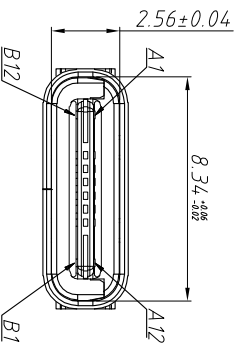
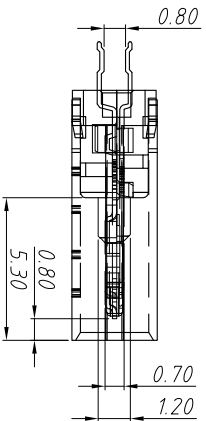
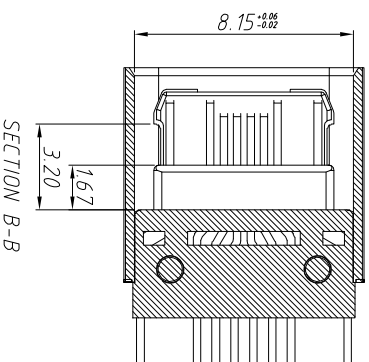
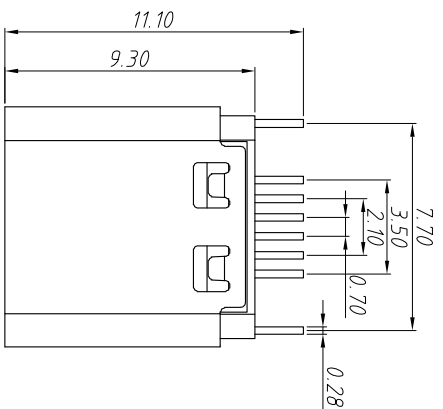


Pin Assignment:

Pin No.	Signal Name	Pin No.	Signal Name
A1	CMD	B12	CMD
A2		B11	
A3		B10	
A4	VBUS	B9	VBUS
A5	CC1	B8	SBUS2
A6	D+	B7	D-
A7	D-	B6	D+
A8	SBUS1	B5	CC2
A9	VBUS	B4	VBUS
A10		B3	
A11		B2	
A12	CMD	B1	CMD



**Material**  
Molding: LCP UL94V-0, Black  
Contact: Copper Alloy, Au1u"/Ni Plated  
Shell: SUS304-H, T=0.30±0.03mm,  
50u" Ni Plated Over All.

**Electrical**  
Current Rating: 5.0A Max  
Voltage: 20 VAC  
Withstanding Voltage: 100V AC RMS  
Contact Resistance: 40mΩ MAX.  
Insulation Resistance: 100MΩ MIN.

**Mechanical**  
Operating Temperature: -30°C TO +85°C.  
Insertion Force: 5N~20n  
Umating Force: 8N~20n

**Order Information**  
L-KLS1- 5427 - B  
Color=B=Black  
USB C Type  
RoHS

GENERAL TOLERANCE		ANGLE TOLERANCE		PROJECTION		Description:
X: ±0.60	.X ±0.38	.XX ±0.25	X: ±5°	.X ±3°	.XX ±2°	
			mm		A4	
			SHEET SIZE		KLS P/N:	
			A4		KLS1-5427	
Draw by: Date		2018-03-01		Description:		
Check by: Date		2018-03-01		USB C Type 6PIN Female		
SCALE		SHEET		OF		
				KLS NingBo KLS ELECTRONIC CO., LTD.		