

Standard Din-rail Enclosure

KLS24-JG4-03 88*107*59mm Standard rail Enclosure

Note:

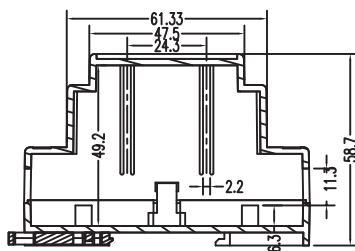
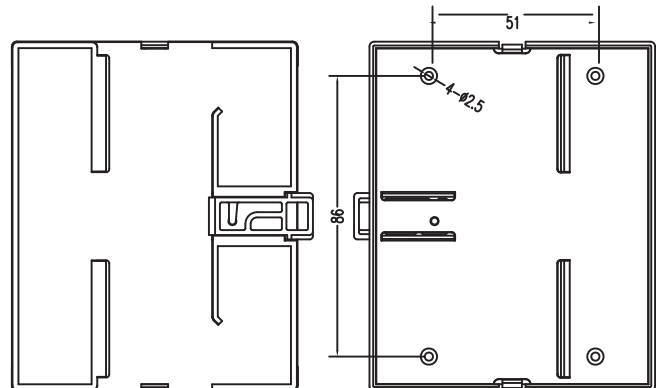
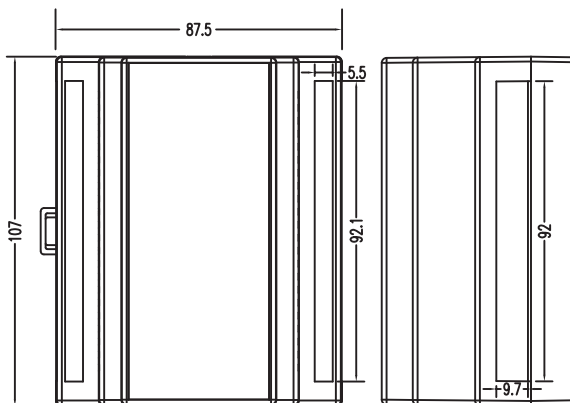
Product Material:ABS
Surface Treatment:Smooth

Product Description:

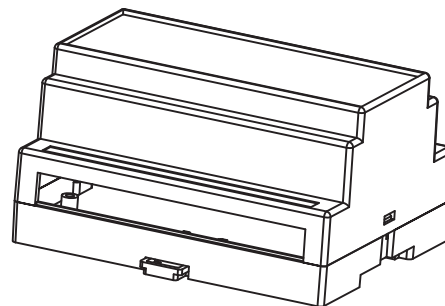
- * Product is suitable for the power module compartment, acquisition, transmitter, transducer transmitter signal isolation, etc.
- * Product Standard accessories: cover, base, red retainer 1
- * Box body with the hook connection, tool-free installation
- * Both sides of the product can be equipped with plug-in terminal spacing 5.08 unilateral 18, a total of 36
- * Fast and simple standard 35 rail fixed



I



A-A



ORDER INFORMATION

Product NO.: KLS24-JG4-03

Pos. NO.

No.