

## Standard Din-rail Enclosure

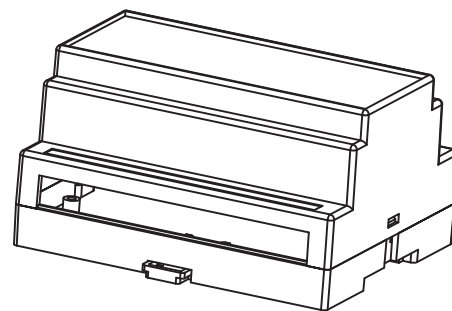
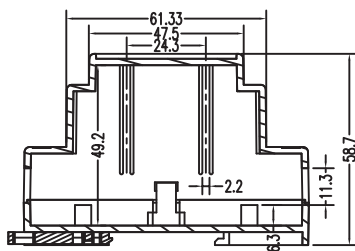
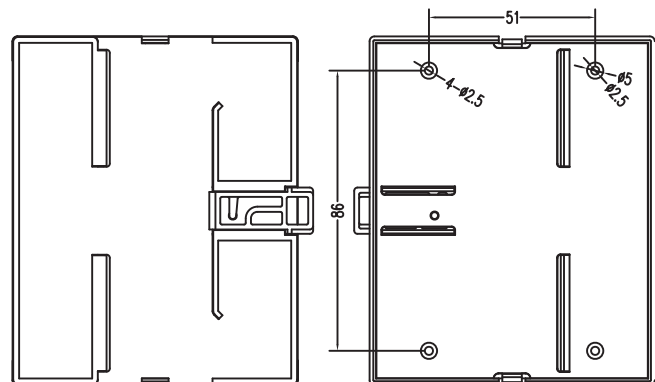
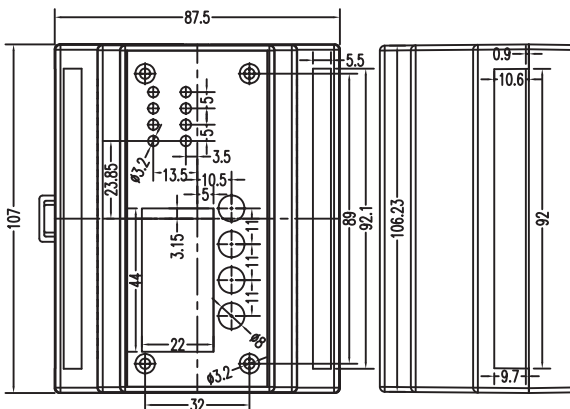
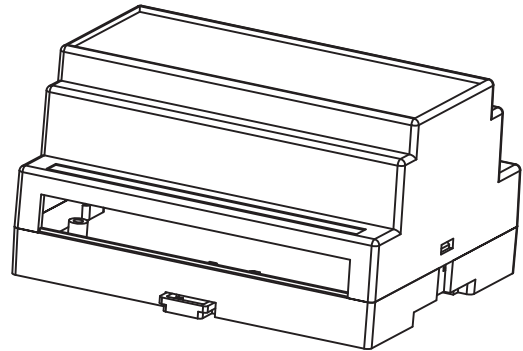
KLS24-JG4-03-2 88\*107\*59mm Standard rail Enclosure

**Note:**

Product Material:ABS  
Surface Treatment:Smooth

**Product Description:**

- \* Product is suitable for the power module box, collector, transmitter, transducer transmitter signal isolation and other
- \* Product Standard accessories: cover, base, red retainer 1
- \* Product Cover window size: 44 \* 22mm
- \* Box body with the hook connection, tool-free installation
- \* Both sides of the product can be equipped with plug-in terminal pitch of 5.08 unilateral 18, a total of 36
- \* Fast and simple standard 35 rail fixing
- \* Color and villages bulk material can be customized
- \* Product, as the case may require modification (eg: opening, etc.)



## ORDER INFORMATION

Product NO.: KLS24-JG4-03-2

Pos. NO.

No.