

## Standard Din-rail Enclosure

KLS24-JG4-01-3 88\*37\*59mm Standard rail Enclosure

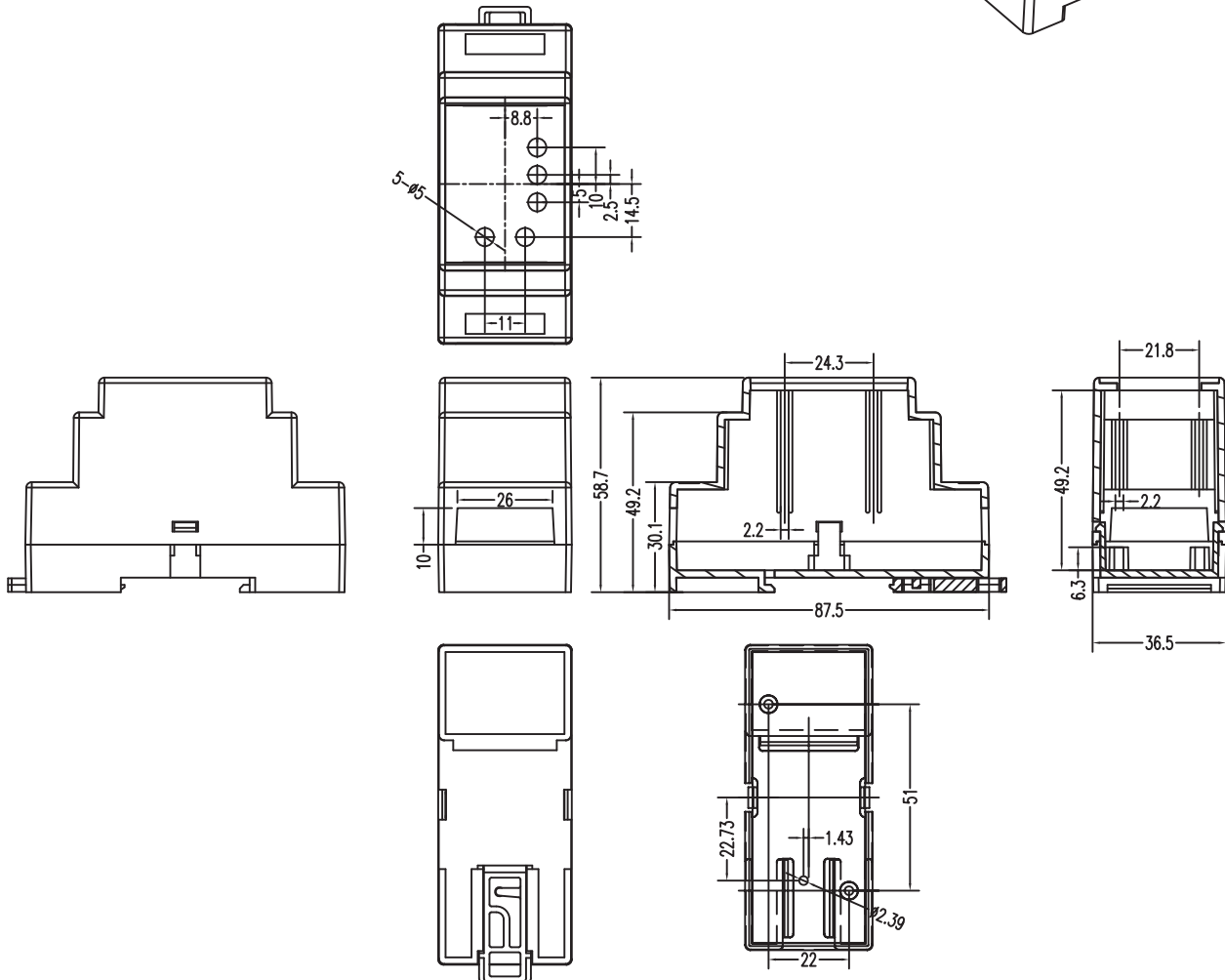
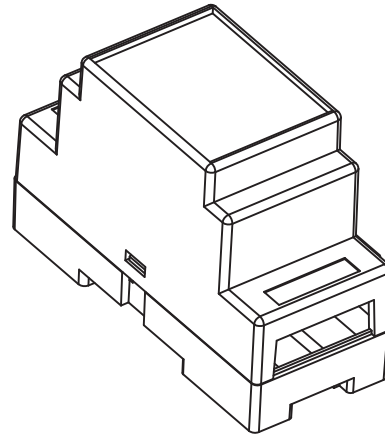
### Note:

Product Material:ABS

### Product Description:

- \* Product is suitable for the power module box, collection, transmitters, isolation transmitter, signal transducer and other transmitter
- \* Cover five holes with a diameter of 5mm
- \* Product Standard accessories: cover, base, red retainer 1
- \* Box body with the hook-type connection, tool-free installation
- \* Both sides of the product can be equipped with plug-in terminal pitch 5.08 unilateral 5, a total of 10
- \* Fast and simple standard 35 rail fixing
- \* Color and villages bulk material can be customized
- \* Product cover may require modification

I



## ORDER INFORMATION

Product NO.: KLS24-JG4-01-3

Pos. NO.

No.