

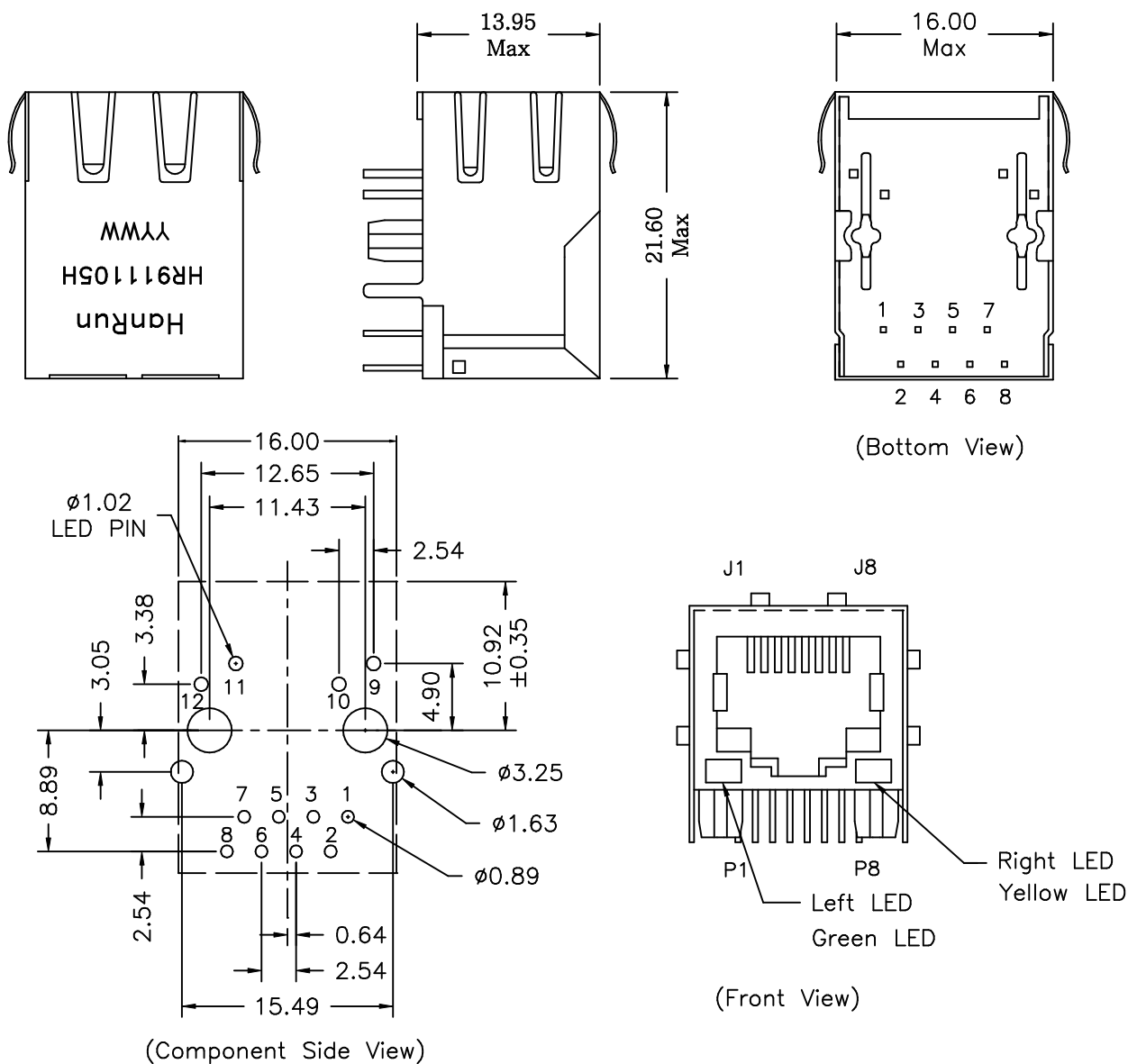
Single Port RJ45 Connector  
with Integrated Magnetics

Part Number

HR911105H (Shield Type: H)

- Meets or Exceeds IEEE802.3 standards including 350uH Min OCL with 8mADC
- High performance for EMI suppression, Crosstalk, Return Loss and Consistent Electrical
- Minimum 1500Vrms isolation per IEEE802.3 requirement
- Minimize PCB space and Simplify PCB Layout
- Less magnetic components to be placed on PCB, higher reliability and yields

Mechanical Dimensions:



Part No.: HR911105H	Unless otherwise specified, Tolerance:	Rev: A	DRWN:	Date:
Dimensions in mm	.xx ±0.25	Page 2/2	APPD:	Date:

**Single Port RJ45 Connector  
with Integrated Magnetics and LED  
for 10/100Base-TX NIC Applications**

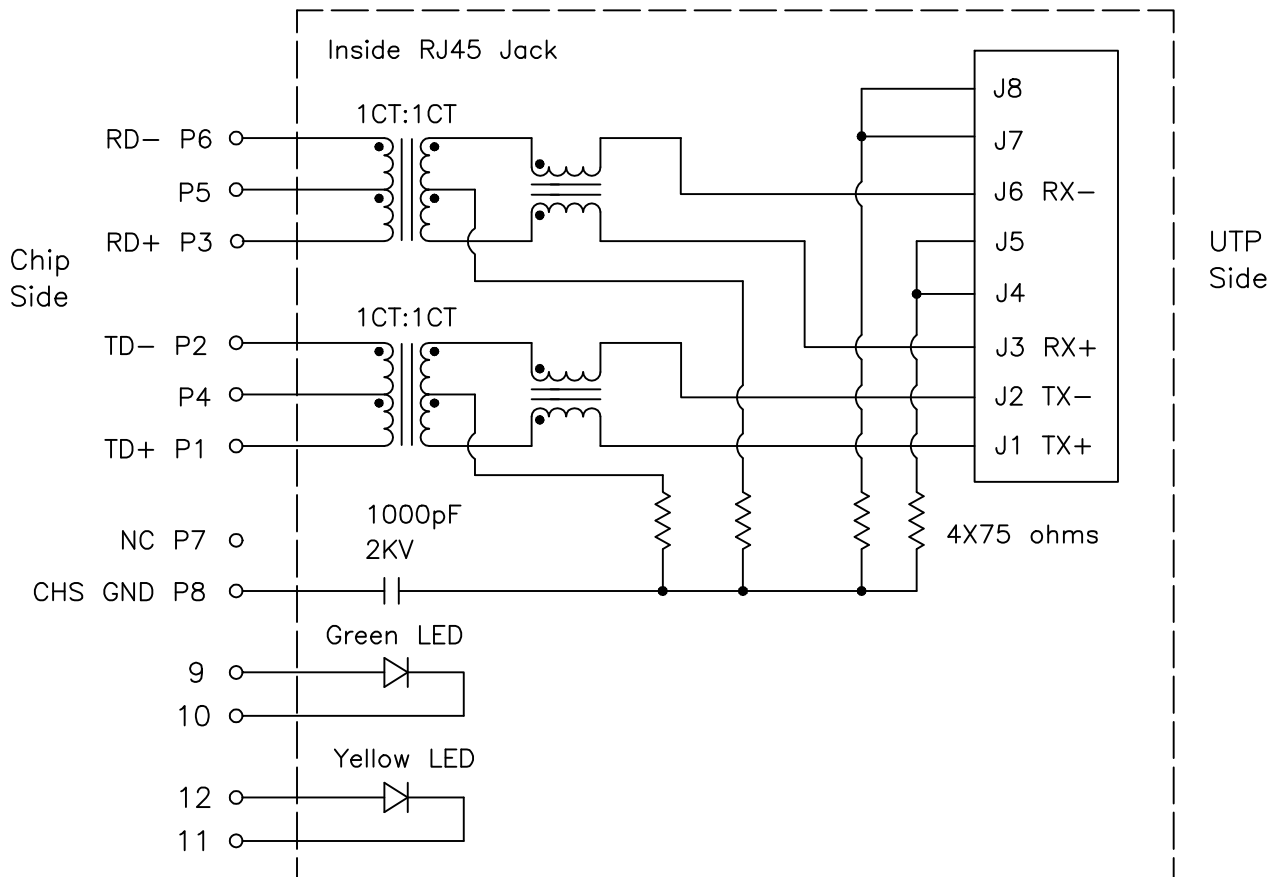
**Part Number:**

**HR911105**

**Electrical Specification @25°C**

Isolation: 1500Vrms (UTP Side to Chip Side)  
 OCL: 350uH Minimum @100KHz 100mV with 8mADC  
 Insertion Loss: -1.0dB Maximum @300KHz ~ 100MHz  
 Return Loss: -20dB Minimum @1MHz ~ 10MHz  
                   -16dB Minimum @10MHz ~ 30MHz  
                   -12dB Minimum @30MHz ~ 60MHz  
                   -10dB Minimum @60MHz ~ 80MHz  
 Common Mode Rejection: -30dB Minimum @1MHz ~ 50MHz  
                                   -20dB Minimum @50MHz ~ 150MHz  
 Crosstalk: -40dB Minimum @1MHz ~ 30MHz  
                   -35dB Minimum @30MHz ~ 60MHz  
                   -30dB Minimum @60MHz ~ 100MHz

**Schematics**



Notes: Connect CHS GND to PCB Ground

Part No.: HR911105	Unless otherwise specified, Tolerance: .xx ±0.25	Rev: A	DRWN:	Date:
Dimensions in mm		Page 1/1	APPD:	Date:

Tel: (0760) 2121067 2121679 • Fax: (0760) 2121065 • E-Mail: hanrun@pub.zhongshan.gd.cn • http: www.hanrun.com