

**HR682430E**

**Electrical Specification @25°C**

RoHS Compliant (PB Free)

Operating Temperature Range: -40°C ~ +85°C

Isolation: 1500Vrms 0.5mA 2sec (Primary to Secondary)

OCL: 350uH Minimum @100KHz 100mV with 8mADC

Insertion Loss: -1.0dB Maximum @1MHz ~ 100MHz

Return Loss: -18dB Minimum @1MHz ~ 30MHz

-14.4dB Minimum @40MHz / -13.1dB Minimum @50MHz

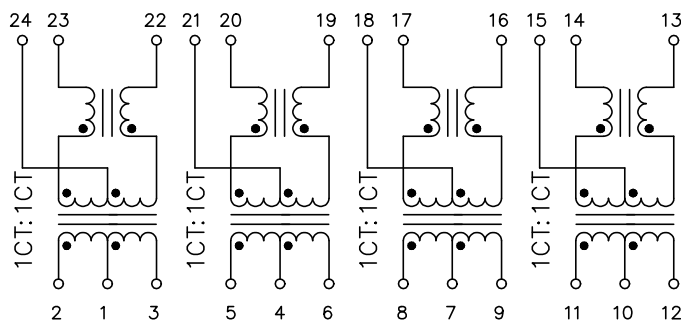
-12dB Minimum @60MHz ~ 80MHz / -10dB Minimum @100MHz

Differential to Common Mode Rejection: -40dB Minimum @30MHz

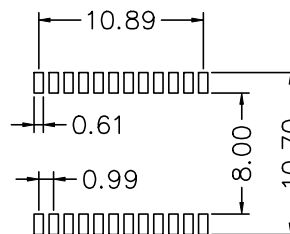
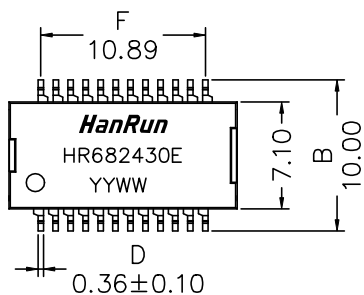
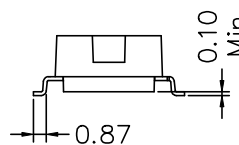
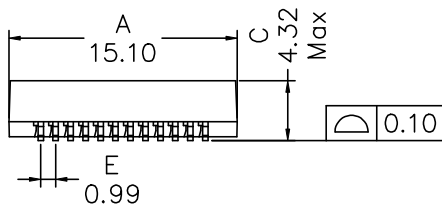
-35dB Minimum @60MHz / -30dB Minimum @100MHz

Crosstalk: -30dB Minimum @1MHz ~ 100MHz

**Schematics**



**Mechanical Dimensions**



SUGGESTED PCB PAD LAYOUT

Dimensions in mm

Unless otherwise specified, Tolerance: .xx ±0.25

REV.: 00