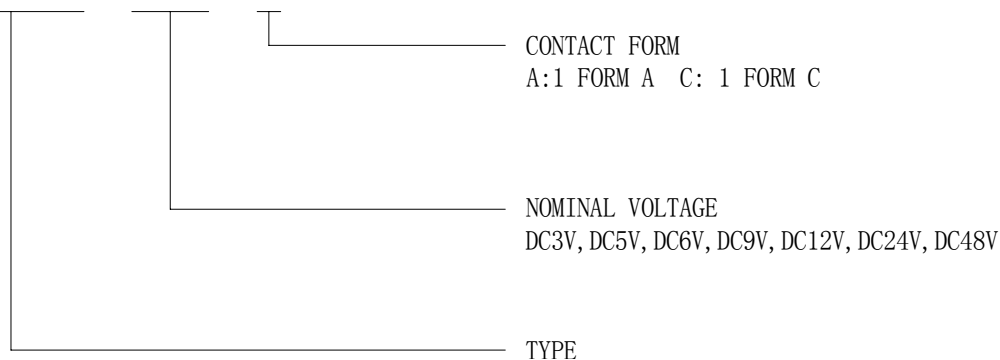


## ORDERING CODE

HLS8- 22F - DC12V - C



## CONTACT DATA

Contact Form	1A/1C
Contact Material	Ag Alloy
Contact Ratings	1A:12A240VAC/15A120VAC 10A/28VDC 1C:10A240VAC/12A120VAC 10A/28VDC
Max Switching Voltage	250VAC/30VDC
Max Switching Current	20A
Max Switching Power	2400VA/240W
Initial Contact Resistance	50m $\Omega$ Max at 6VDC 1A
Life Expectancy Electrical	100,000 Operations (rated load)
Life Expectancy Mechanical	10,000,000 Operations (no load)

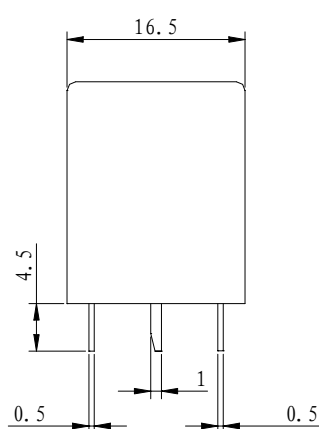
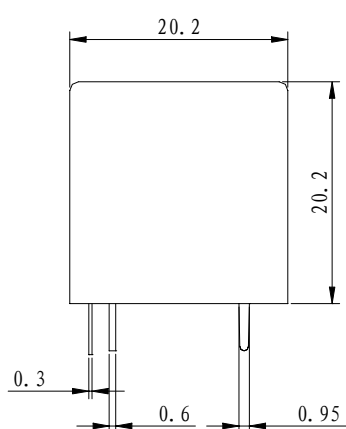
## GENERAL DATA

Insulation Resistance	100M $\Omega$ min at500VDC
Dielectric Strength Between Open Contacts	750VAC 50-60HZ (1 minute)
Dielectric Strength Between Contacts And Coil	1500VAC 50-60HZ (1 minute)
Operate Time	10ms max
Release Time	5ms max
Ambient Temperature	-40 $^{\circ}$ C to+85 $^{\circ}$ C
Shock Resistance	Malfunction 10G
冲击	Destruction 100G
Vibration Resistance	10-55Hz,1.5mm double amplitude
Ambient humidity	40-85% RH
Weight	Approx 13g
Safety Standard	UL CQC

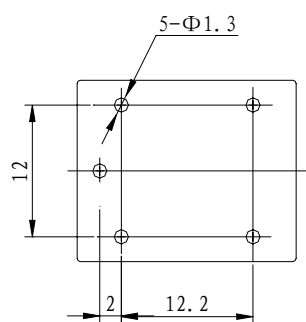
## COIL DATA

Rated Voltage (VDC)	Coil Resistance $\Omega$ ( $\pm 10\%$ )		Max Operate Voltage (VDC)	Min Release Voltage (VDC)	Max Applied Voltage (VDC)
	0.36W	0.51W			
3	25		2.25	0.15	3.9
5	70		3.75	0.25	6.5
6	100		4.5	0.3	7.8
9	225		6.75	0.45	11.7
12	400		9	0.6	15.6
24	1600		18	1.2	31.2
48	$6400 \pm 15\%$	$4500 \pm 15\%$	36	2.4	62.4

### Outline Dimension (mm)

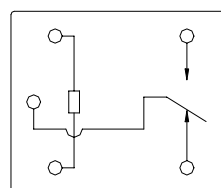


### PC Board layout



(Bottom View)

### Wiring Diagram



(Bottom View)