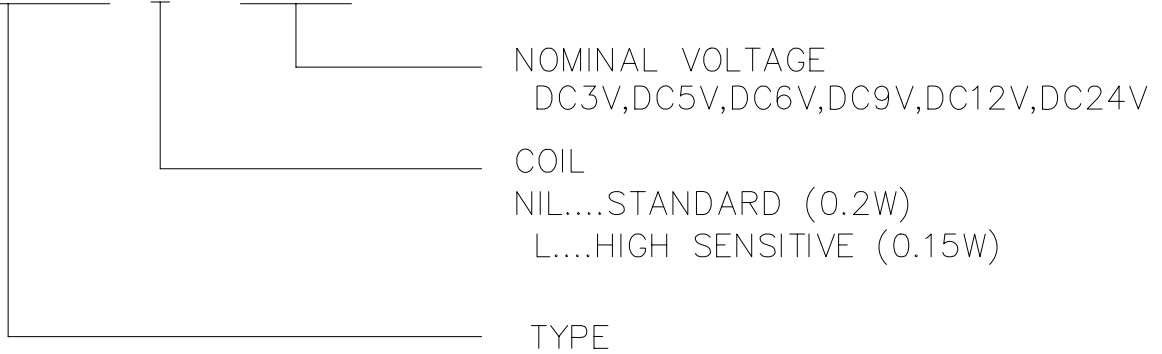




## ORDERING CODE

HLS6-23F - L- DC12V



## CONTACT DATA

Contact Form	1C
Contact Material	Au+Ag Alloy
Contact Ratings	2A:120VAC/24VDC
Max Switching Voltage	120VAC/60VDC
Max Switching Current	2A
Max Switching Power	240VA/48W
Initial Contact Resistance	50mΩ Max at 6VDC 1A
Life Expectancy Electrical	100,000 Operations(rated load)
Life Expectancy Mechanical	10,000,000 Operations(no load)

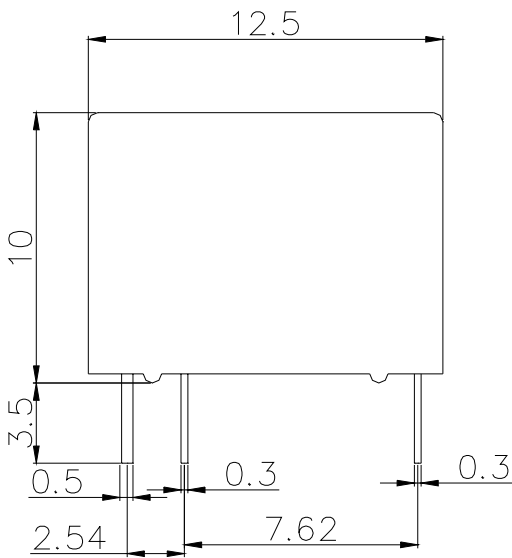
## GENERAL DATA

Insulation Resistance	100MΩ Min at 500VDC	
Dielectric Strength Between Open Contacts	500VAC 50-60HZ (1 minute)	
Dielectric Strength Between Contacts And Coil	1000VAC 50-60HZ (1 minute)	
Operate Time	5ms max	
Release Time	5ms max	
Ambient Temperature	-30°C to +70°C	
Shock Resistance	Malfunction	10G
	Destruction	15G
Vibration Resistance	10-55Hz, 1.5mm double amplitude	
Ambient humidity	40-85% RH	
Weight	Approx 1.8g	
Safety Standard		

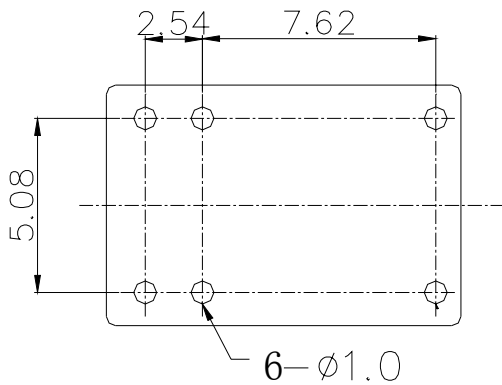
**COIL DATA**

Rated Voltage (VDC)	Coil Resistance $\Omega$ ( $\pm 10\%$ )		Max Operate Voltage (VDC)	Min Release Voltage (VDC)	Max Applied Voltage (VDC)
	0.15W	0.2W			
3	60	45	2.4	0.15	3.9
5	167	125	4	0.25	6.5
6	240	180	4.8	0.3	7.8
9	540	405	7.2	0.45	11.7
12	960	720	9.6	0.6	15.6
24	3840	2880	19.2	1.2	31.2

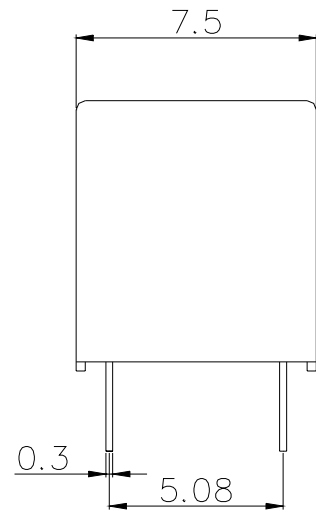
Outline Dimension (mm)



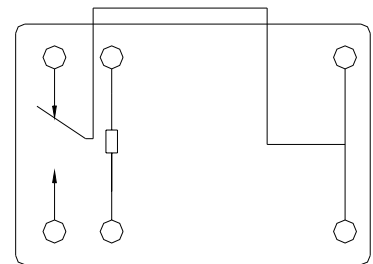
PC Board layout



(Bottom View)



Wiring Diagram



(Bottom View)