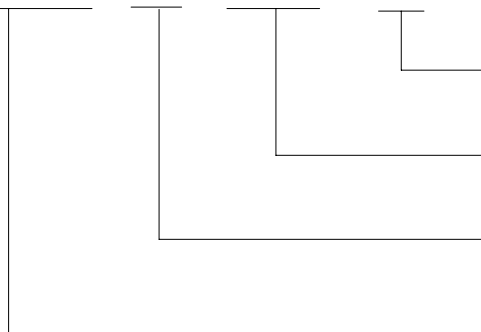




## ORDERING CODE

HLS-4121- H - DC12V - NS



NS: NO SHOULDER  
NIL: WITH SHOULDER

NOMINAL VOLTAGE  
DC6V,DC12V,DC24V,DC48V

COIL

NIL...STANDARD [1.8W] H...HIGH SENSITIVE[1.5W]

TYPE

## CONTACT DATA

Contact Form	1A	
Contact Material	Ag Alloy	
Contact Ratings	30A14VDC	
Max Switching Voltage	30VDC	
Max Switching Current	300A	
Max Switching Power	420W	
Initial Contact Resistance	50mΩ Max	at6VDC 1A
Life Expectancy Electrical	100,000	Operations (rated load)
Life Expectancy Mechanical	10,000,000	Operations (no load)

## GENERAL DATA

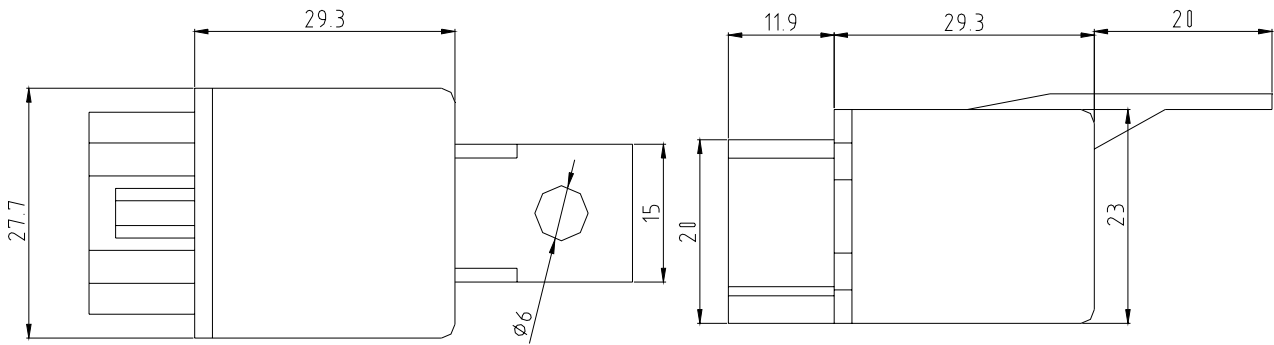
Insulation Resistance	50MΩ min at500VDC
Dielectric Strength Between Open Contacts	500VAC 50-60HZ (1 minute)
Dielectric Strength Between Contacts And Coil	500VAC 50-60HZ (1 minute)
Operate Time	15ms max
Release Time	10ms max
Ambient Temperature	-30°C to+85°C
Shock Resistance	10G
Vibration Resistance	10-55Hz,1.5mm double amplitude
Ambient humidity	40-85% RH
Weight	Approx 35g
Safety Standard	

## COIL DATA

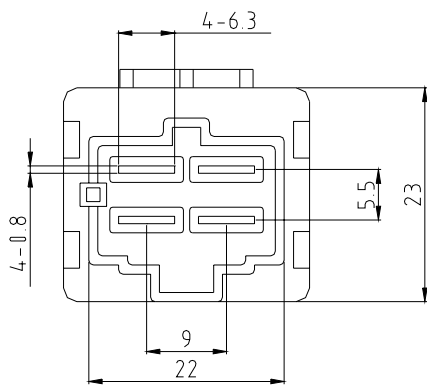
Rated Voltage (VDC)	Coil Resistance Ω (± 10%)		Max Operate Voltage (VDC)	Min Release Voltage (VDC)	Max Applied Voltage (VDC)
	1.44W	1.8W			
6	25	20	3.9	0.6	7.8
12	100	80	7.8	1.2	15.6
24	400	320	15.6	2.4	31.2

48	1600	1280	31.2	4.8	62.4
----	------	------	------	-----	------

Outline Dimension(mm)

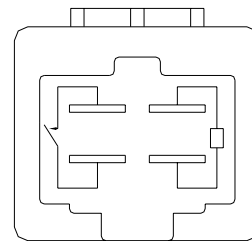


PC Board layout



(Bottom View)

Wiring Diagram



(Bottom View)