

# HLK-LD101

## Mobile Induction Microwave Radar Module

- ◆ 10.525GHz X-band radar
- ◆ Motion sensing within the range of 0.2-7M
- ◆ Anti-jamming
- ◆ Provide configuration tools



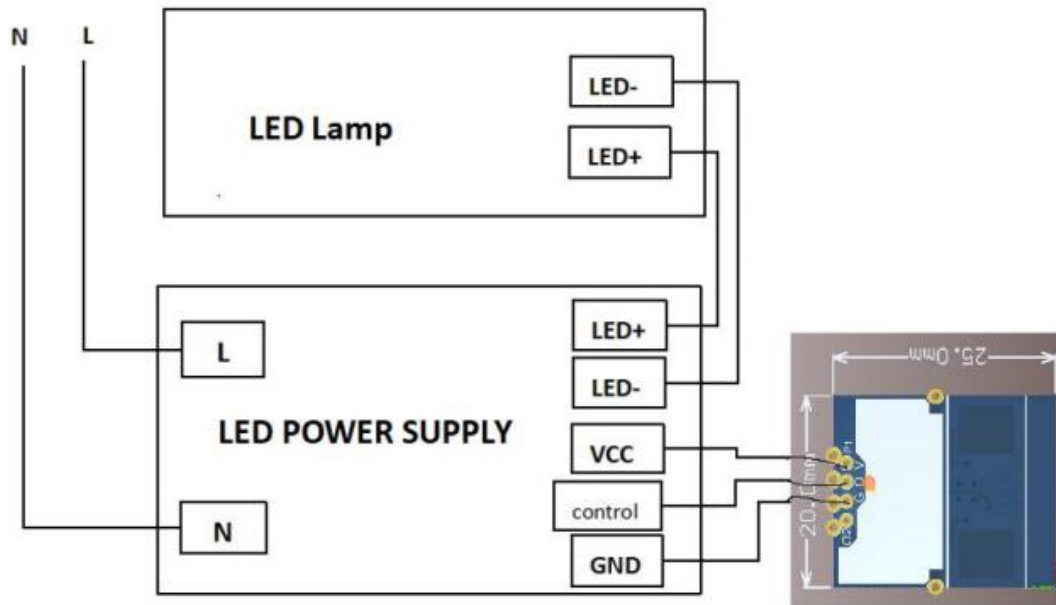
### Introduction

HLK-LD101 is an X-band radar module working at 10.525GHz. Based on the Doppler effect, this design adopts Using fixed-frequency, directional transmitting and receiving antennas, the current market is the first to use the combination of chip integration technology and microwave antennas. Tool It has the characteristics of anti-interference, small size, no wall penetration, high stability, good consistency, and good clutter and high-order harmonic suppression effect. plate The integrated IF demodulation, signal amplification, digital processing, light intensity detection, timing and other functions are integrated on the module, and the serial port is opened at the same time. function, which is convenient for users to adjust relevant parameters. This product adopts pulse power supply mode, and the average power consumption can be reduced to 7mA

### Product Feature

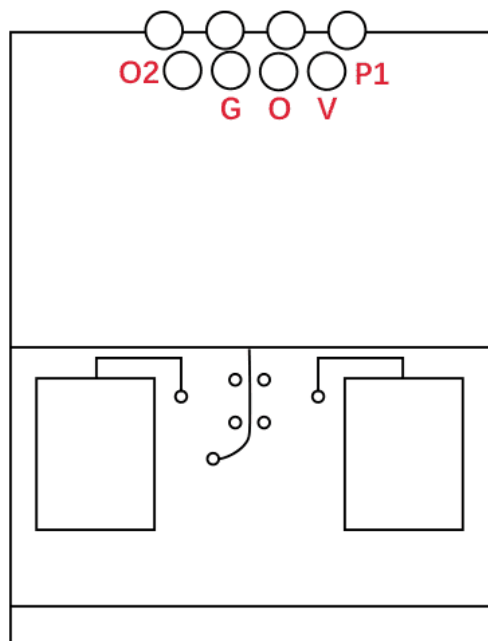
Operating frequency 10.525GHz  
Wide voltage operation: +3.3V~15V  
Modular package: 20mm\*25mm\*4mm  
The sensing distance is not less than 1 meter (straight line distance)  
Maximum transmit power: 2dBm  
Maximum receiving sensitivity: -95dBm  
Motion detection  
Onboard integrated transmit and receive antennas

### Typical Application



## PRODUCT SCHEMATIC

Detecting Moving Target Means IO Output High Level



Interface type: (2.0mm×4PIN pin)

V, 3.3-15V; G: GND; O: TTL high level 3V; O2, NC reserved

