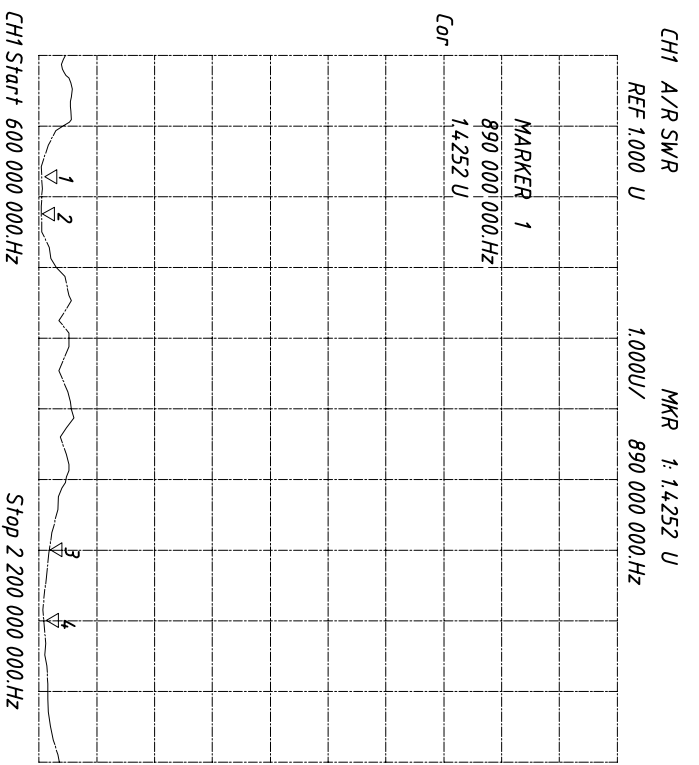
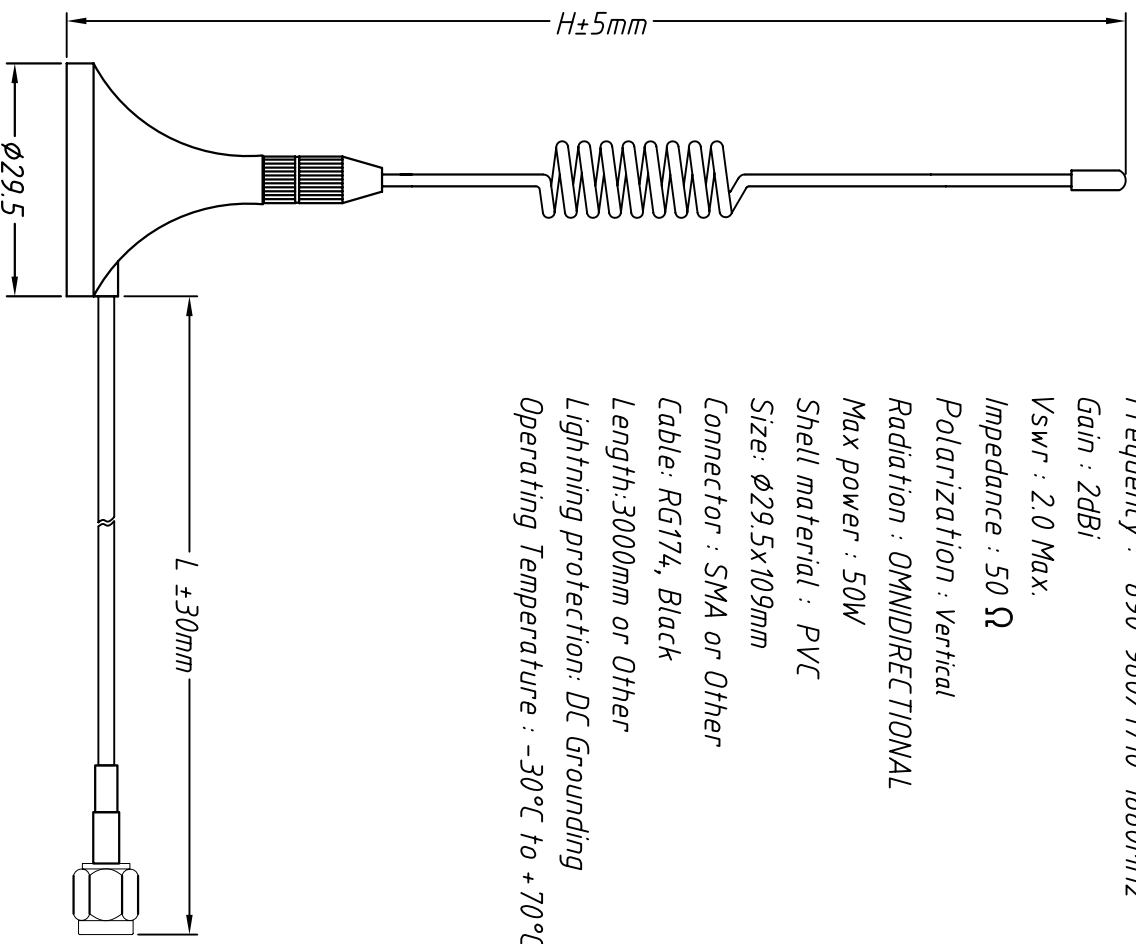
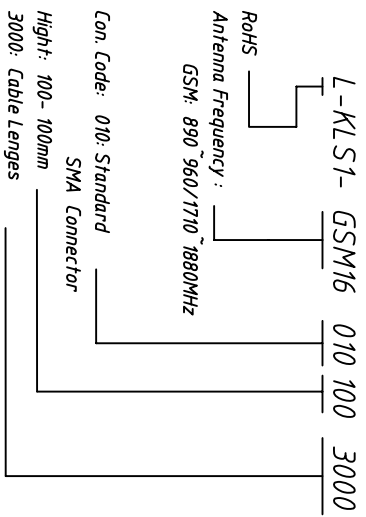


Specification:
 Frequency : 890 ~ 960 / 1710 ~ 1880MHz
 Gain : 2dbi
 VSWR : 2.0 Max.
 Impedance : 50 Ω
 Polarization : Vertical
 Radiation : OMNIDIRECTIONAL
 Max power : 50W
 Shell material : PVC
 Size: φ29.5x109mm
 Connector : SMA or Other
 Cable: RG174, Black
 Length: 3000mm or Other
 Lightning protection: DC Grounding
 Operating Temperature : -30°C to +70°C



Order Information



GENERAL TOLERANCE		ANGLE TOLERANCE		PROJECTION		Description:	
X.	±0.60	X.	±5°	UNITS	MM		
.X	±0.38	.X	±3°	SHEET SIZE	A4	GSM Antenna with Magnet	
.XX	±0.25	.XX	±2°	KLS P/N:	KLS-GSM16010XXXX		
Draw by: Date		2016-11-11					
Check by: Date		2016-11-11					
SCALE		SHEET		OF			

KLS ELECTRONIC CO., LTD.