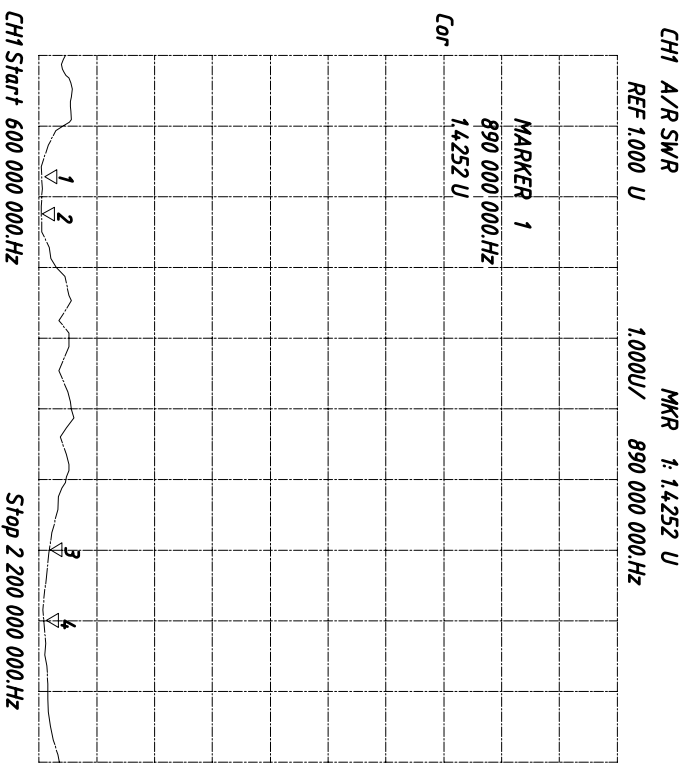
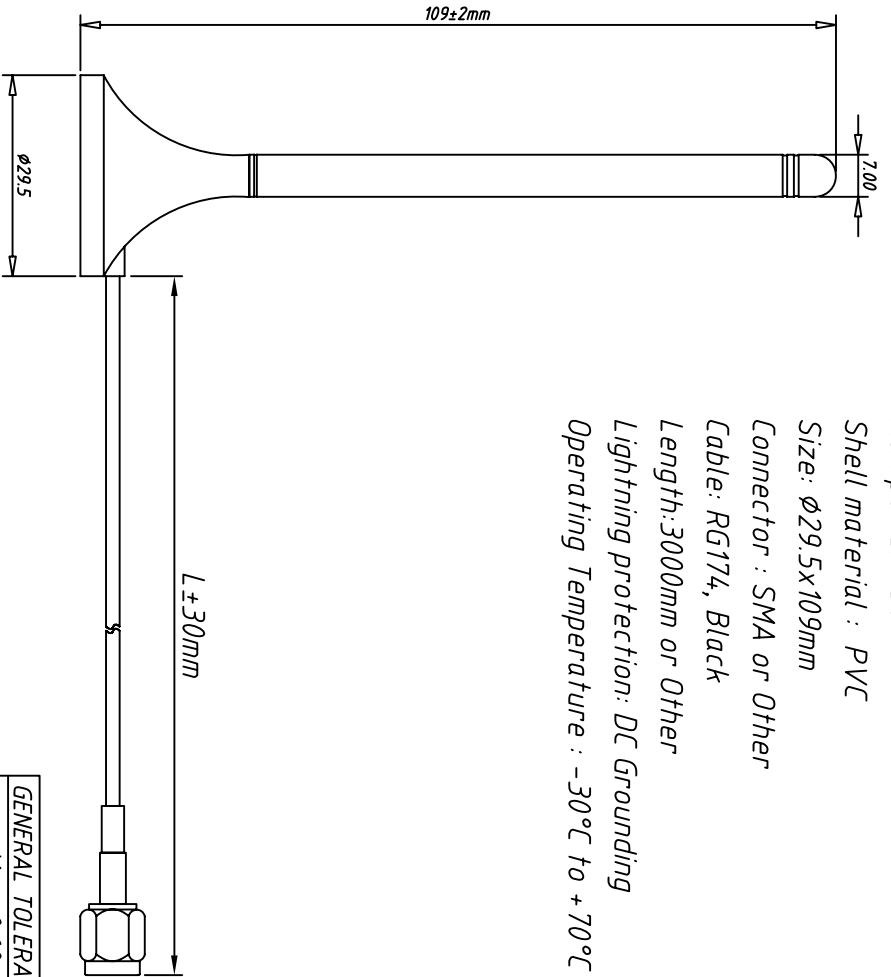
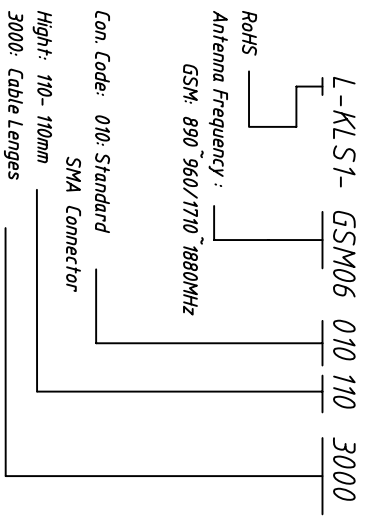


Specification:
 Frequency : 890 ~ 960 / 1710 ~ 1880MHz
 Gain : 2dBi
 VSWR : 2.0 Max.
 Impedance : 50 Ω
 Polarization : Vertical
 Radiation : OMNIDIRECTIONAL
 Max power : 50W
 Shell material : PVC
 Size: φ29.5x109mm
 Connector : SMA or Other
 Cable: RG174, Black
 Length: 3000mm or Other
 Lightning protection: DC Grounding
 Operating Temperature : -30°C to +70°C



Order Information



| GENERAL TOLERANCE | ANGLE TOLERANCE | PROJECTION | DESCRIPTION: |
|-------------------|-----------------|------------------|-------------------------|
| X. ±0.60 | X. ±5° | UNITS | GSM Antenna with Magnet |
| .X ±0.38 | .X ±3° | SHEET SIZE | |
| .XX ±0.25 | .XX ±2° | KLSP/N: | |
| Draw by: Date | | KLS-GSM06010XXXX | |
| Check by: Date | | 2016-11-11 | |
| SCALE | | SHEET | OF |

KLS ELECTRONIC CO., LTD.