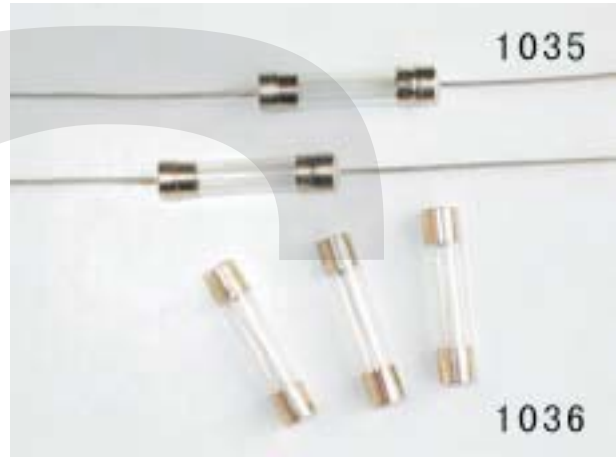
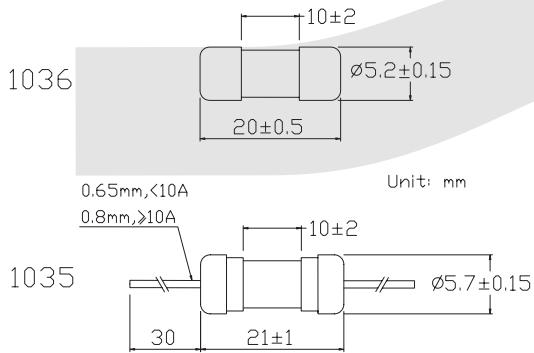


FUSE AND FUSE HOLDER

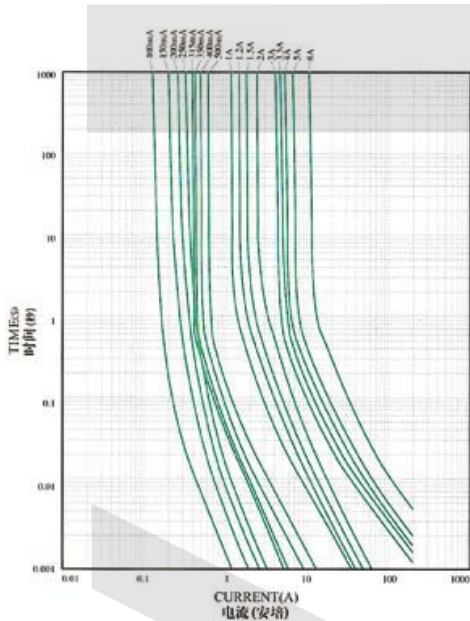
Φ5.2x20 Glass Tube Fuse Series

KLS5-1035/1036 Φ5.2x20 Glass Tube Fuse (Fast Blow) Series



ELECTRICAL CHARACTERISTICS

RATING	Blowing Time
100%	4 hours Min
135%	1 hours Max
200%	5 sec Max



Part No.	Rated Current	Rated Voltage
1036-0100	100mA	125V/250V
1036-0125	125mA	125V/250V
1036-0150	150mA	125V/250V
1036-0160	160mA	125V/250V
1036-0200	200mA	125V/250V
1036-0250	250mA	125V/250V
1036-0300	300mA	125V/250V
1036-0315	315mA	125V/250V
1036-0350	350mA	125V/250V
1036-0400	400mA	125V/250V
1036-0500	500mA	125V/250V
1036-0600	600mA	125V/250V
1036-0700	700mA	125V/250V
1036-0750	750mA	125V/250V
1036-0800	800mA	125V/250V
1036-1000	1A	125V/250V
1036-1200	1.2A	125V/250V
1036-1250	1.25A	125V/250V
1036-1500	1.5A	125V/250V
1036-1600	1.6A	125V/250V
1036-1800	1.8A	125V/250V
1036-2000	2A	125V/250V
1036-2500	2.5A	125V/250V
1036-3000	3A	125V/250V
1036-3150	3.15A	125V/250V
1036-3500	3.5A	125V/250V
1036-4000	4A	125V/250V
1036-5000	5A	125V/250V
1036-6000	6A	125V/250V
1036-6300	6.3A	125V/250V
1036-7000	7A	125V/250V
1036-8000	8A	125V/250V
1036-10000	10A	125V/250V
1036-12000	12A	125V/250V
1036-15000	15A	125V/250V

Part No.	Rated Current	Rated Voltage
1035-0100	100mA	125V/250V
1035-0125	125mA	125V/250V
1035-0150	150mA	125V/250V
1035-0160	160mA	125V/250V
1035-0200	200mA	125V/250V
1035-0250	250mA	125V/250V
1035-0300	300mA	125V/250V
1035-0315	315mA	125V/250V
1035-0350	350mA	125V/250V
1035-0400	400mA	125V/250V
1035-0500	500mA	125V/250V
1035-0600	600mA	125V/250V
1035-0700	700mA	125V/250V
1035-0750	750mA	125V/250V
1035-0800	800mA	125V/250V
1035-1000	1A	125V/250V
1035-1200	1.2A	125V/250V
1035-1250	1.25A	125V/250V
1035-1500	1.5A	125V/250V
1035-1600	1.6A	125V/250V
1035-1800	1.8A	125V/250V
1035-2000	2A	125V/250V
1035-2500	2.5A	125V/250V
1035-3000	3A	125V/250V
1035-3150	3.15A	125V/250V
1035-3500	3.5A	125V/250V
1035-4000	4A	125V/250V
1035-5000	5A	125V/250V
1035-6000	6A	125V/250V
1035-6300	6.3A	125V/250V
1035-7000	7A	125V/250V
1035-8000	8A	125V/250V
1035-10000	10A	125V/250V
1035-12000	12A	125V/250V
1035-15000	15A	125V/250V

ORDER INFORMATION

Product NO.: **KLS5-1035-XXXX**

