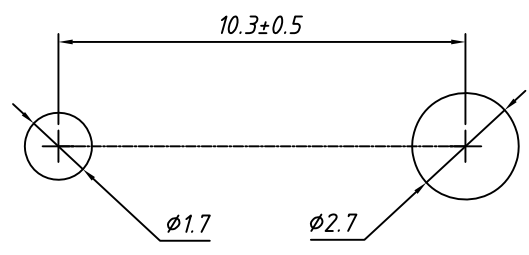
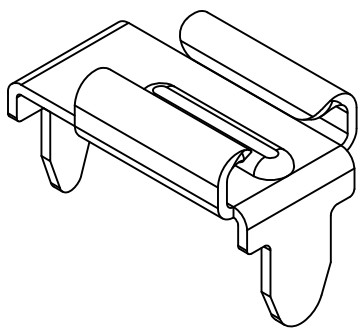
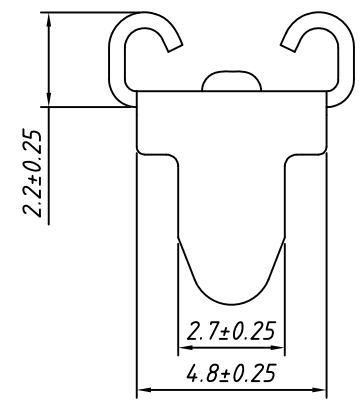
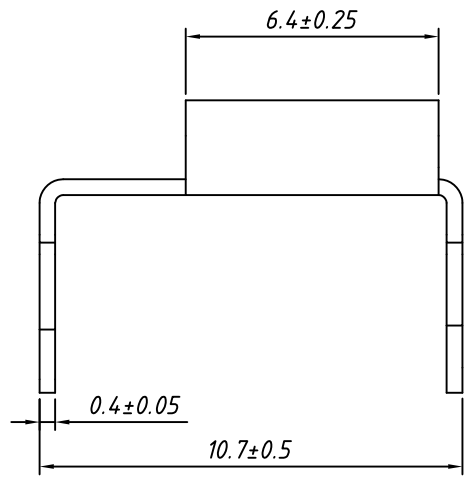
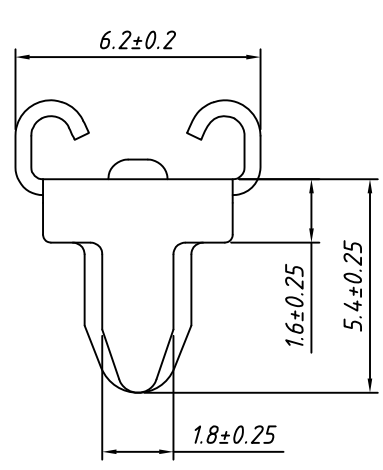


1 2 3 4 5 6 7 8

A
B
C
D
E
F
G
H



Recommend Mounting Hole

Characteristics:
 Voltage Rating: 250V
 Current Rating: 15A
 Insulation Resistance: 100M Ω Min. at 500VDC
 Dielectric Strength : AC 500 V Min.at 60s

Material: Brass, T=0.4mm, Tin Plated
 Fuse type: Medium Blade Fuse
 KLS5-270-xxx

Order Information:
 L - KLS5 - 718E - 4 T
 L: RoHS
 Thickness: 4- T=0.4mm
 Plated: T-Tin plated

GENERAL TOLERANCE	PROJECTION		Description:	32V Medium Blade
.X ±1.00	UNITS	mm	Fuse Clip, Horizontal type	
.X ±0.50	SCALE	5:1		
.XX ±0.30	Draw by:	Daniel		
ANGLE TOLERANCE	Check by:	Daniel	KLS P/N:	L-KLS5-718E-4T
±5°	Date	2022-09-01		NingBo KLS ELECTRONIC CO.,L TD.
	SHEET	1 OF 1		

1 2 3 4 5 6 7 8