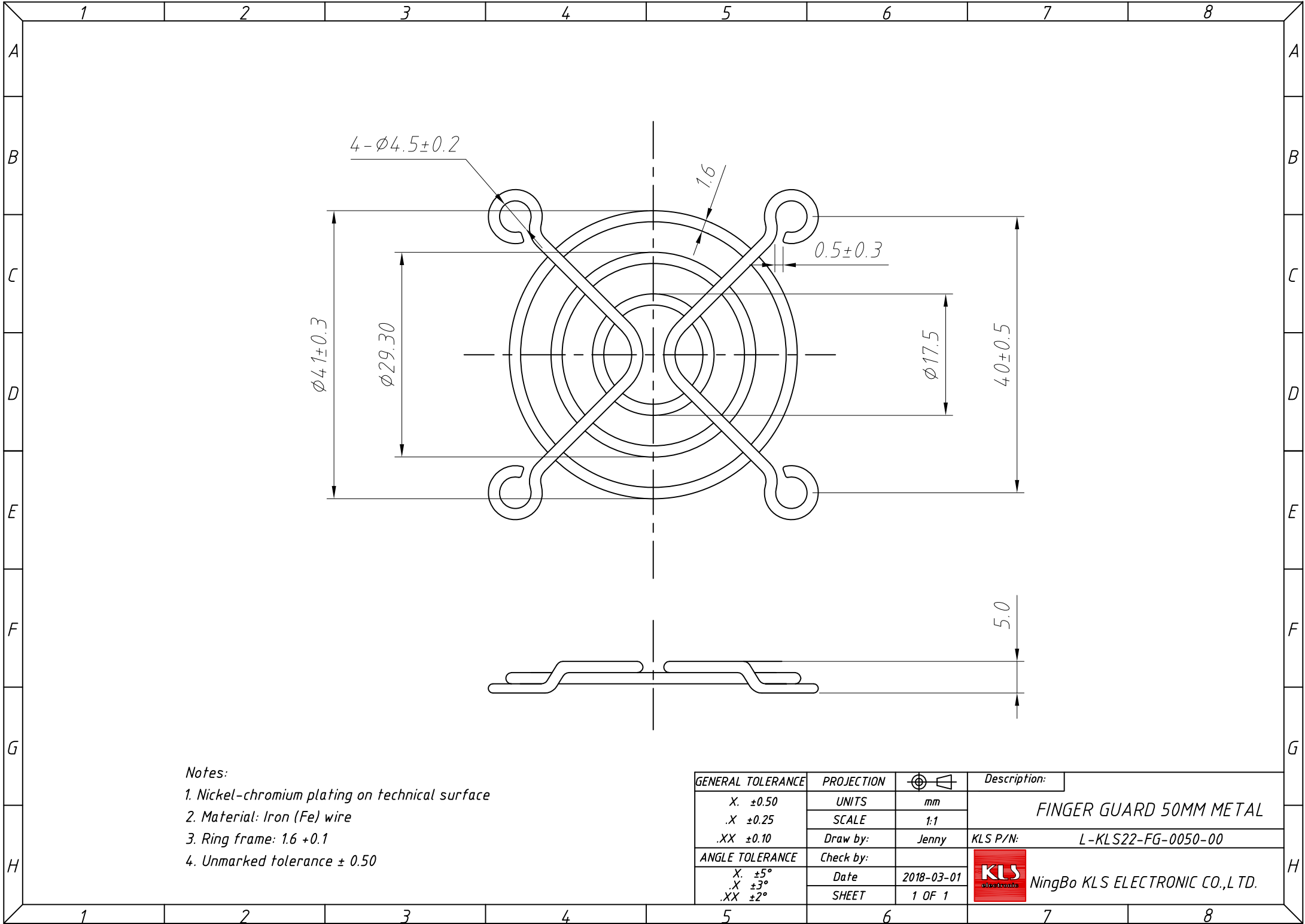


Notes:

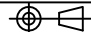

1. Material: Iron (Fe) wire
2. Surface chromium plating
3. Unmarked tolerance ± 0.50
4. Material: Iron (Fe), wire diameters 1.6x1.6
5. Products meet Sanchuang Hazardous Substances Standard

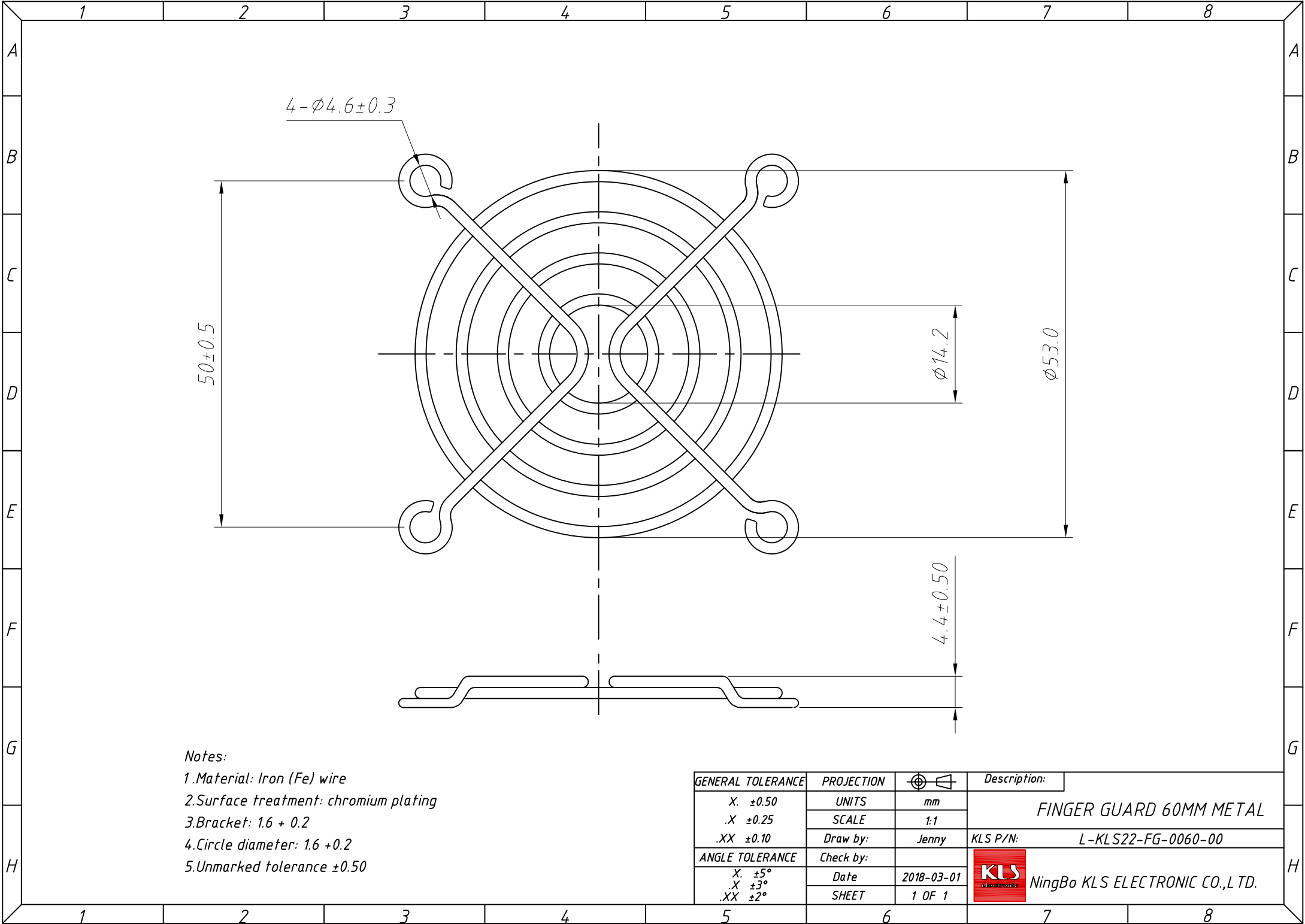
GENERAL TOLERANCE	PROJECTION		Description:
X. ± 0.50	UNITS	mm	FINGER GUARD 40MM METAL
.X ± 0.25	SCALE	1:1	
.XX ± 0.10	Draw by:	Jenny	
ANGLE TOLERANCE	Check by:		KLS P/N: L-KLS22-FG-0040-00
X. $\pm 5^\circ$	Date	2018-03-01	NingBo KLS ELECTRONIC CO.,L TD.
.X $\pm 3^\circ$	SHEET	1 OF 1	
.XX $\pm 2^\circ$			



Notes:

1. Nickel-chromium plating on technical surface
2. Material: Iron (Fe) wire
3. Ring frame: 1.6 +0.1
4. Unmarked tolerance ± 0.50

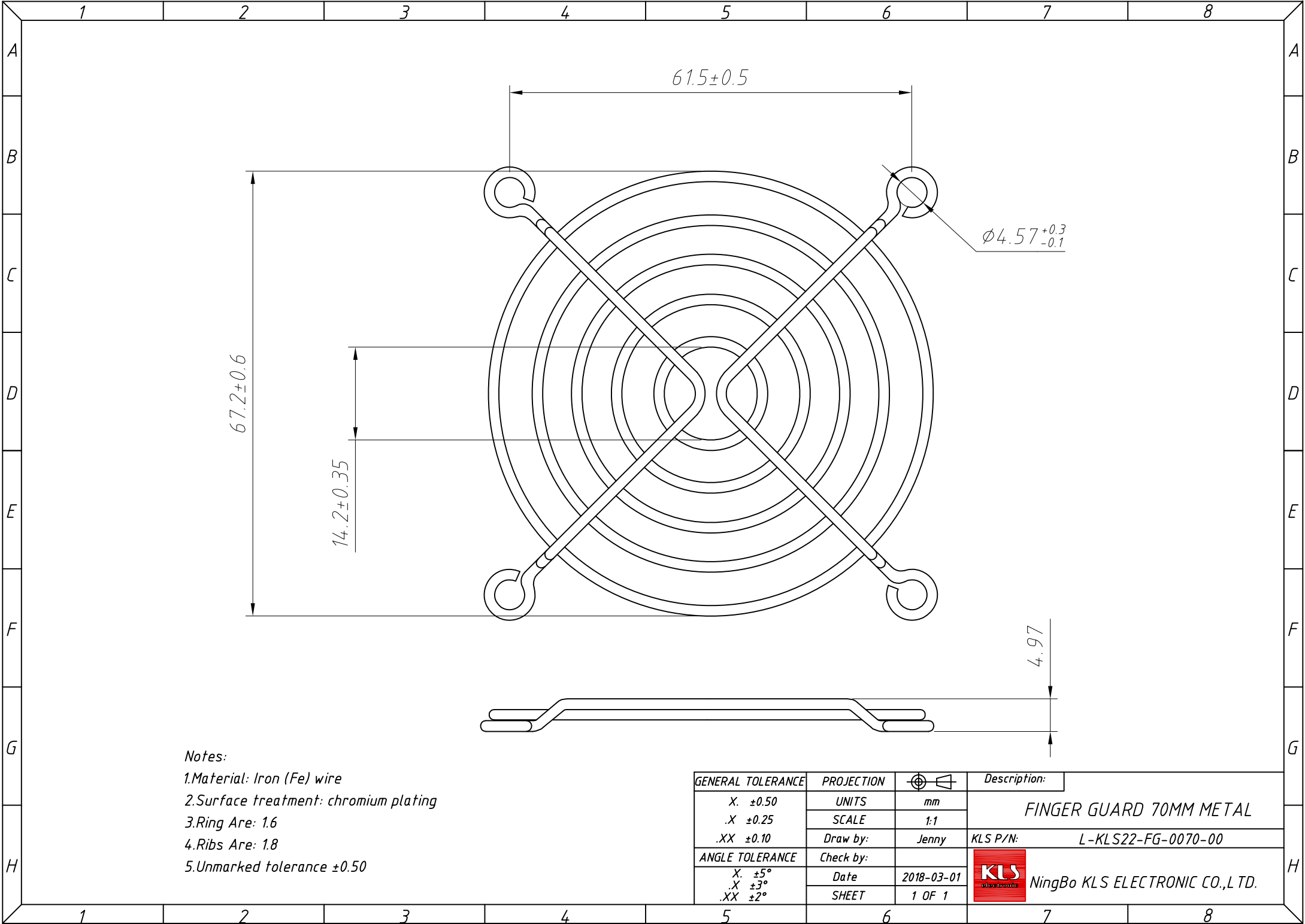
GENERAL TOLERANCE	PROJECTION		Description:
.X ±0.50	UNITS	mm	FINGER GUARD 50MM METAL
.X ±0.25	SCALE	1:1	
.XX ±0.10	Draw by:	Jenny	
ANGLE TOLERANCE	Check by:		KLS P/N: L-KLS22-FG-0050-00
.X ±5°	Date	2018-03-01	 NingBo KLS ELECTRONIC CO.,L TD.
.X ±3°	SHEET	1 OF 1	
.XX ±2°			



Notes:

- 1. Material: Iron (Fe) wire
- 2. Surface treatment: chromium plating
- 3. Bracket: 1.6 + 0.2
- 4. Circle diameter: 1.6 + 0.2
- 5. Unmarked tolerance ±0.50

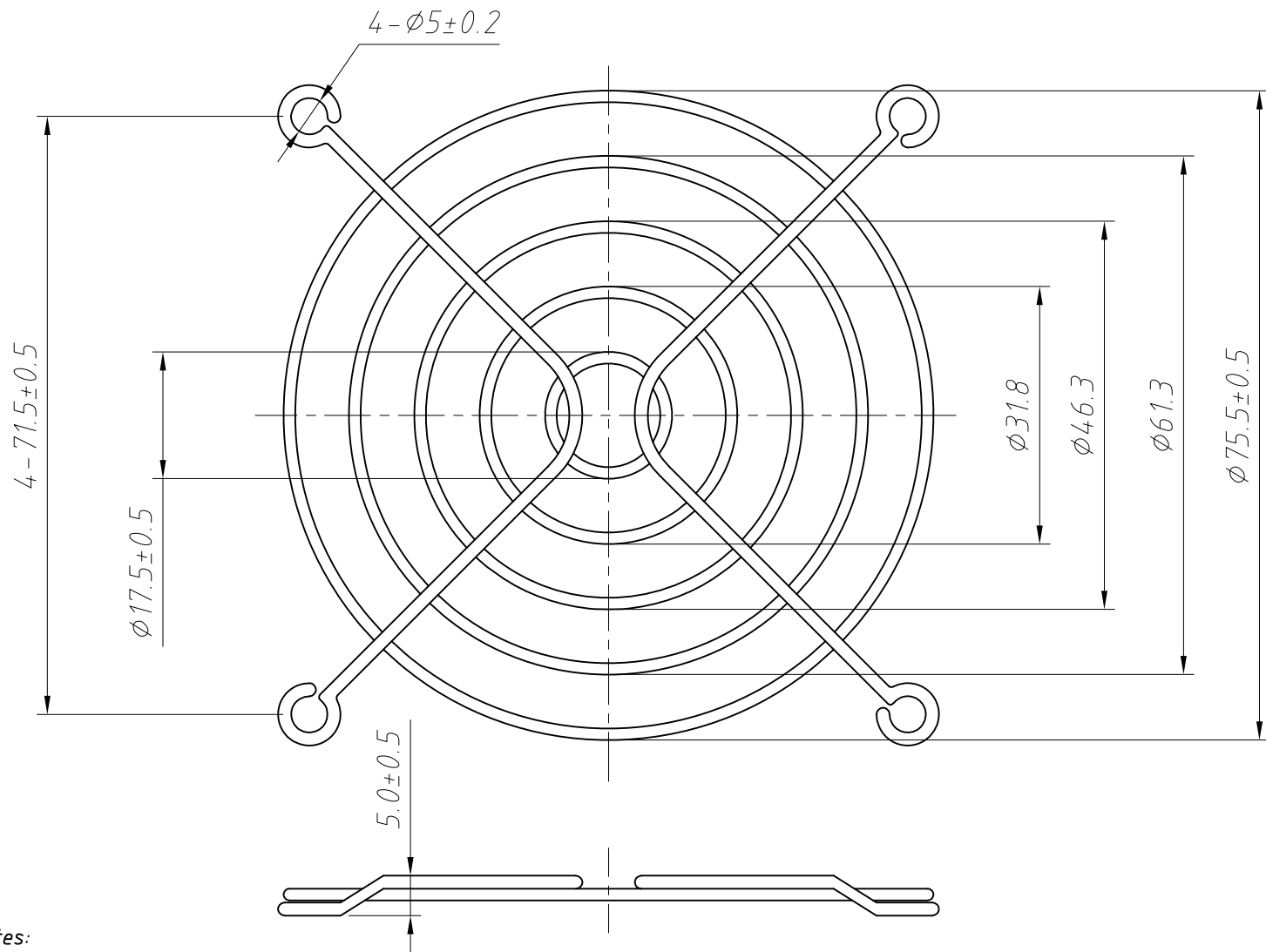
GENERAL TOLERANCE	PROJECTION		Description:
X. ±0.50	UNITS	mm	FINGER GUARD 60MM METAL
.X ±0.25	SCALE	1:1	
.XX ±0.10	Draw by:	Jenny	KLS P/N: L-KLS22-FG-0060-00
ANGLE TOLERANCE	Check by:		NingBo KLS ELECTRONIC CO.,L TD.
X. ±5°	Date	2018-03-01	
.X ±3°	SHEET	1 OF 1	
.XX ±2°			



Notes:

- 1. Material: Iron (Fe) wire
- 2. Surface treatment: chromium plating
- 3. Ring Are: 1.6
- 4. Ribs Are: 1.8
- 5. Unmarked tolerance ± 0.50

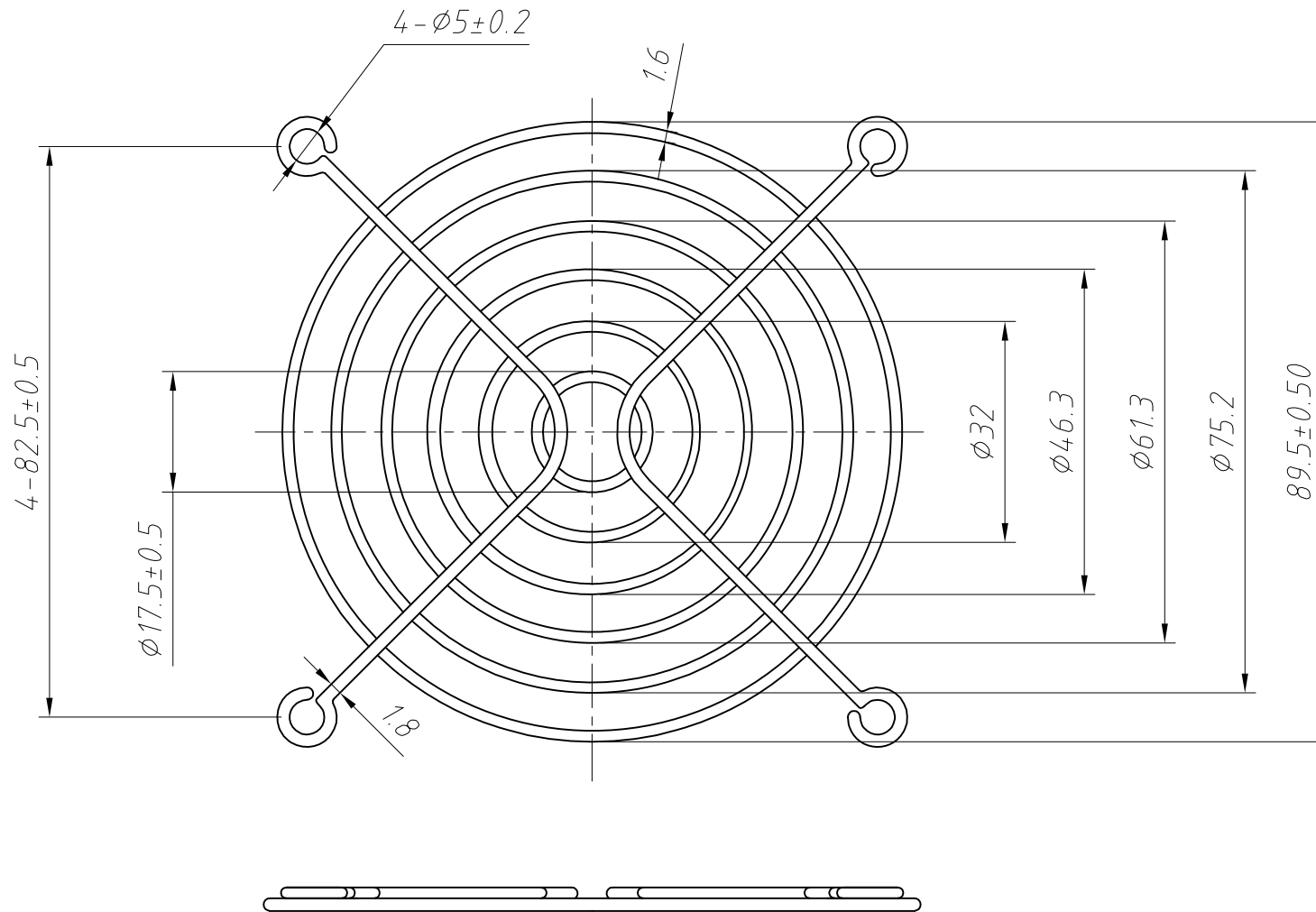
GENERAL TOLERANCE	PROJECTION		Description:
X. ± 0.50	UNITS	mm	FINGER GUARD 70MM METAL
.X ± 0.25	SCALE	1:1	
.XX ± 0.10	Draw by:	Jenny	KLS P/N: L-KLS22-FG-0070-00
ANGLE TOLERANCE	Check by:		NingBo KLS ELECTRONIC CO.,L TD.
X. $\pm 5^\circ$	Date	2018-03-01	
.X $\pm 3^\circ$	SHEET	1 OF 1	
.XX $\pm 2^\circ$			



Notes:

1. Material: Iron (Fe) wire
2. Surface treatment: chromium plating
3. Ring Are: 1.6
4. Ribs Are: 1.8
5. Unmarked tolerance ± 0.50
6. Tensile strength test greater than 20KG

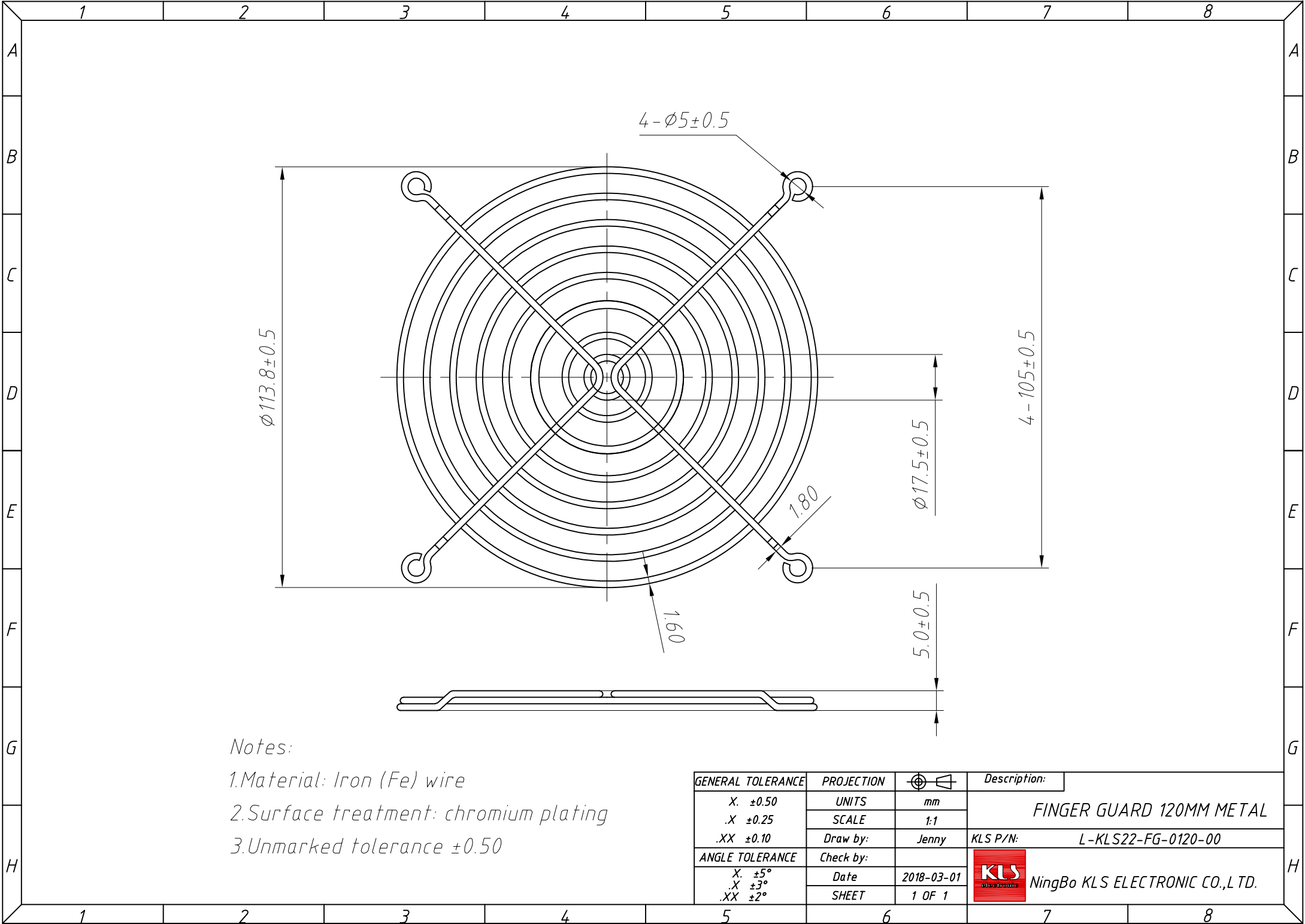
GENERAL TOLERANCE	PROJECTION		Description:
.X. ± 0.50	UNITS	mm	FINGER GUARD 80MM METAL
.X ± 0.25	SCALE	1:1	
.XX ± 0.10	Draw by:	Jenny	
ANGLE TOLERANCE	Check by:		KLS P/N: L-KLS22-FG-0080-00
.X. $\pm 5^\circ$	Date	2018-03-01	NingBo KLS ELECTRONIC CO.,L TD.
.X $\pm 3^\circ$	SHEET	1 OF 1	
.XX $\pm 2^\circ$			



Notes:

1. Material: Iron (Fe) wire
2. Surface treatment: chromium plating
3. Tensile strength test greater than 20KG

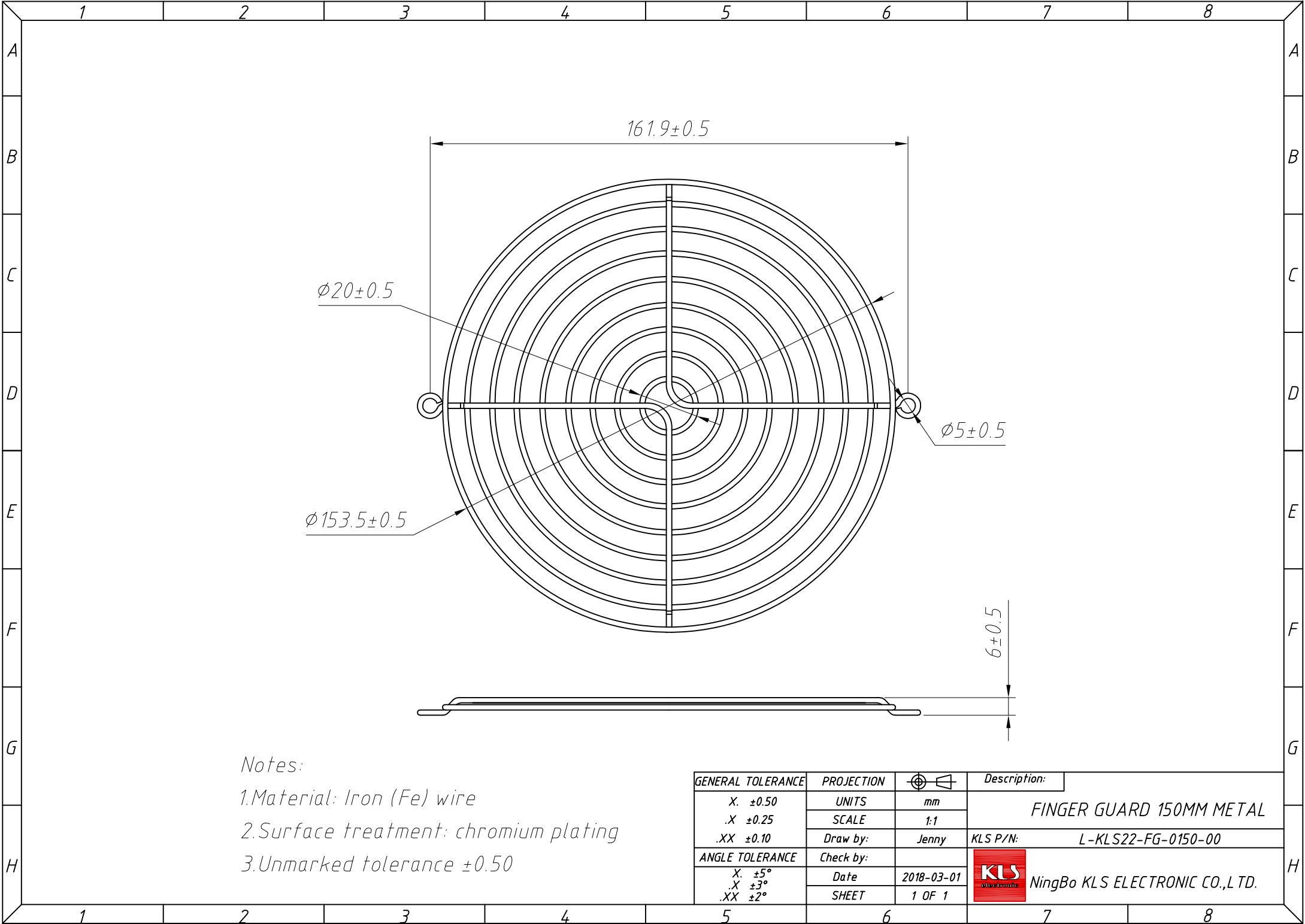
GENERAL TOLERANCE	PROJECTION		Description:
X. ±0.50	UNITS	mm	FINGER GUARD 90MM METAL
.X ±0.25	SCALE	1:1	
.XX ±0.10	Draw by:	Jenny	KLS P/N: L-KLS22-FG-0090-00
ANGLE TOLERANCE	Check by:		NingBo KLS ELECTRONIC CO.,L TD.
X. ±5°	Date	2018-03-01	
.X ±3°	SHEET	1 OF 1	
.XX ±2°			



Notes:

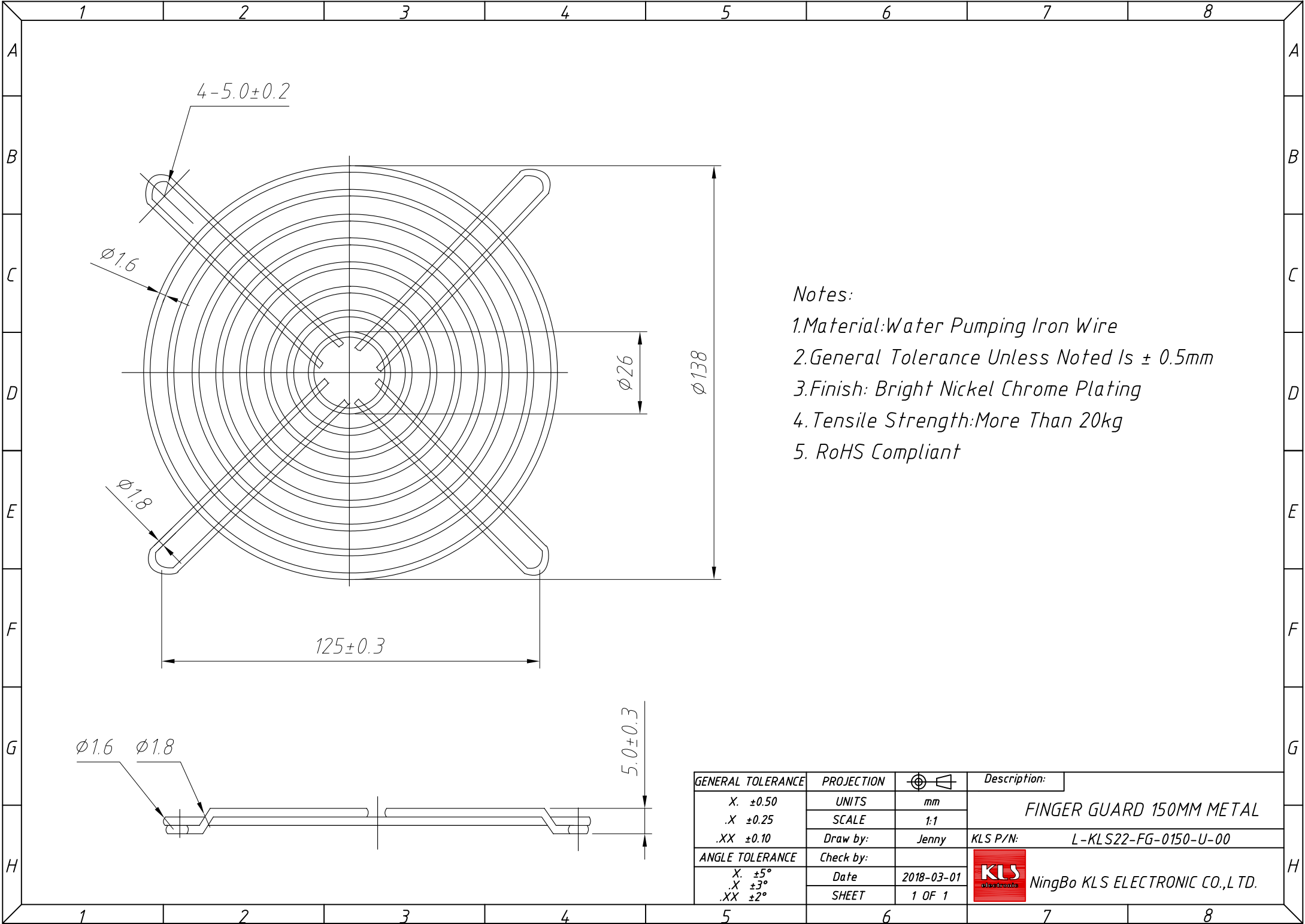
- 1. Material: Iron (Fe) wire
- 2. Surface treatment: chromium plating
- 3. Unmarked tolerance ± 0.50

GENERAL TOLERANCE	PROJECTION		Description:
X. ± 0.50	UNITS	mm	FINGER GUARD 120MM METAL
.X ± 0.25	SCALE	1:1	
.XX ± 0.10	Draw by:	Jenny	KLS P/N: L-KLS22-FG-0120-00
ANGLE TOLERANCE	Check by:		NingBo KLS ELECTRONIC CO.,L TD.
X. $\pm 5^\circ$	Date	2018-03-01	
.X $\pm 3^\circ$	SHEET	1 OF 1	
.XX $\pm 2^\circ$			



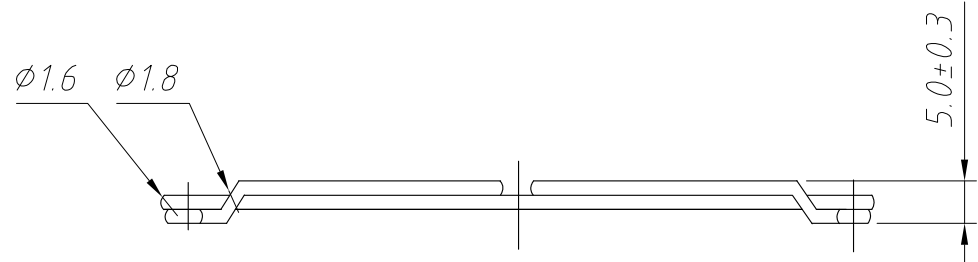
Notes:
 1. Material: Iron (Fe) wire
 2. Surface treatment: chromium plating
 3. Unmarked tolerance ± 0.50

GENERAL TOLERANCE	PROJECTION		Description:
X. ± 0.50	UNITS	mm	FINGER GUARD 150MM METAL
.X ± 0.25	SCALE	1:1	
.XX ± 0.10	Draw by:	Jenny	
ANGLE TOLERANCE	Check by:		KLS P/N: L-KLS22-FG-0150-00
X. $\pm 5^\circ$	Date	2018-03-01	NingBo KLS ELECTRONIC CO.,L TD.
X. $\pm 3^\circ$	SHEET	1 OF 1	
.XX $\pm 2^\circ$			

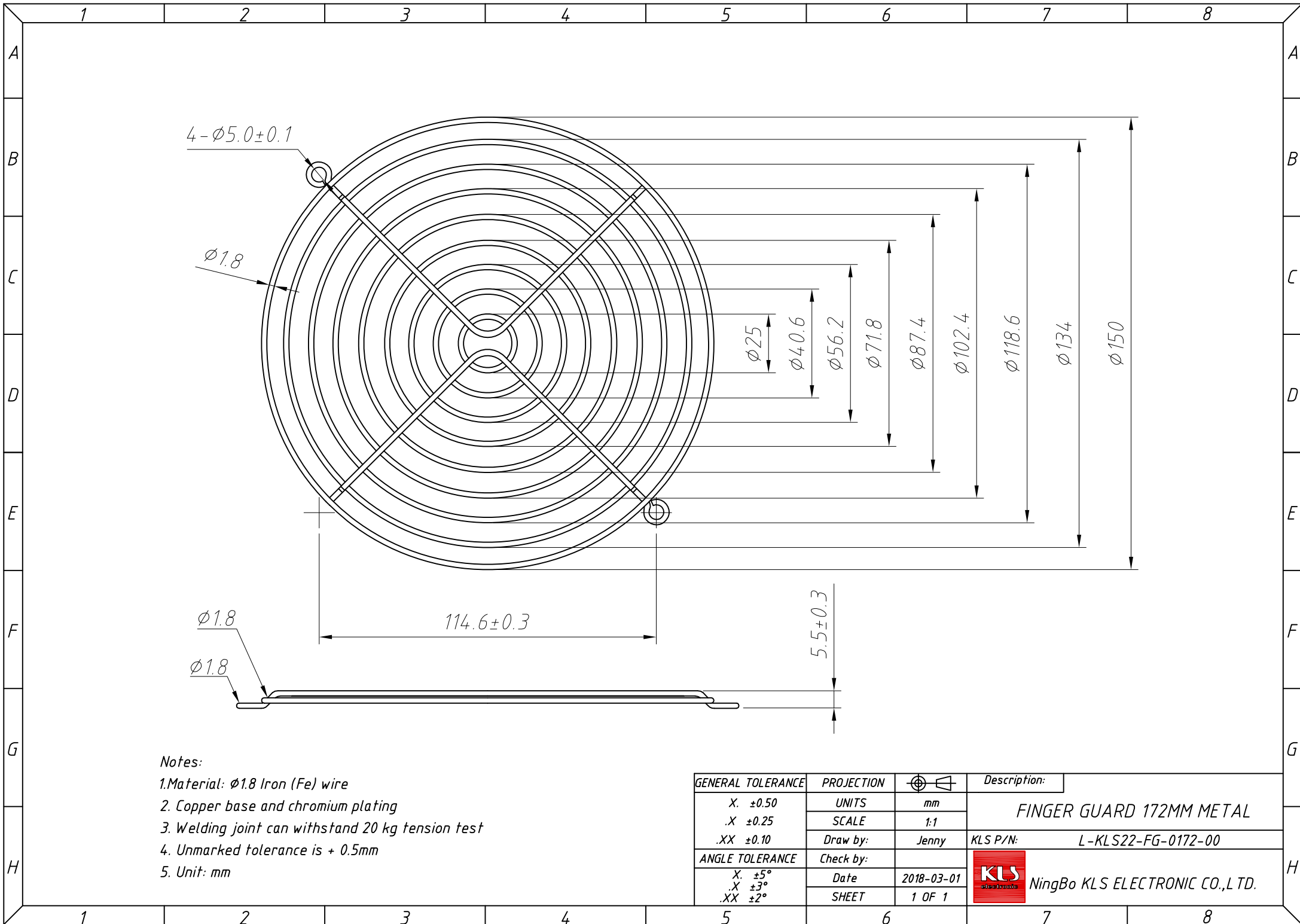


Notes:

- 1. Material: Water Pumping Iron Wire
- 2. General Tolerance Unless Noted Is ± 0.5 mm
- 3. Finish: Bright Nickel Chrome Plating
- 4. Tensile Strength: More Than 20kg
- 5. RoHS Compliant



GENERAL TOLERANCE	PROJECTION		Description:
X. ± 0.50	UNITS	mm	FINGER GUARD 150MM METAL
.X ± 0.25	SCALE	1:1	
.XX ± 0.10	Draw by:	Jenny	
ANGLE TOLERANCE	Check by:		KLS P/N: L-KLS22-FG-0150-U-00
X. $\pm 5^\circ$	Date	2018-03-01	NingBo KLS ELECTRONIC CO.,L TD.
.X $\pm 3^\circ$	SHEET	1 OF 1	
.XX $\pm 2^\circ$			



Notes:

1. Material: $\phi 1.8$ Iron (Fe) wire
2. Copper base and chromium plating
3. Welding joint can withstand 20 kg tension test
4. Unmarked tolerance is + 0.5mm
5. Unit: mm

GENERAL TOLERANCE	PROJECTION		Description:
X. ± 0.50	UNITS	mm	FINGER GUARD 172MM METAL
.X ± 0.25	SCALE	1:1	
.XX ± 0.10	Draw by:	Jenny	KLS P/N: L-KLS22-FG-0172-00
ANGLE TOLERANCE	Check by:		NingBo KLS ELECTRONIC CO.,L TD.
X. $\pm 5^\circ$	Date	2018-03-01	
.X $\pm 3^\circ$	SHEET	1 OF 1	