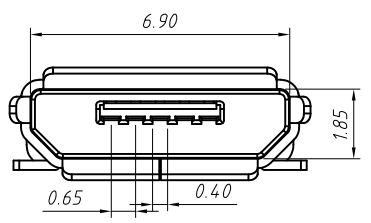
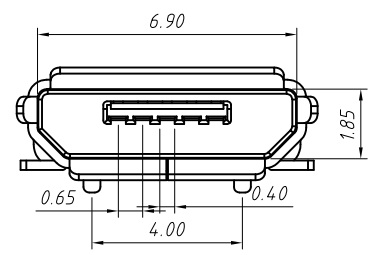


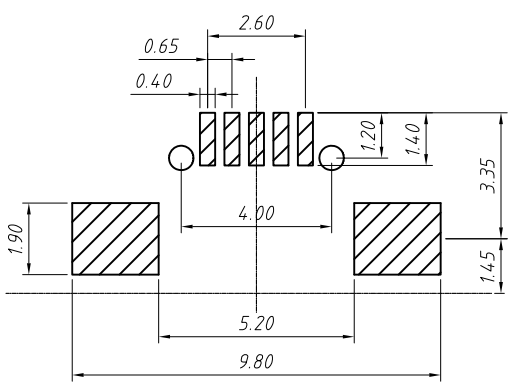
MYLAR



WITHOUT POST



WITH POST



RECOMMENDED PCB LAYOUT

**Material**  
Housing: High Temperature Thermoplastic,  
UL 94V-0 LCP, Black.  
Contact: Copper Alloy C2680.  
Shell: Copper Alloy C2680.  
Finish:  
Contact: Plated Gold In Mating Area,  
Tin On Solder Talls.  
Shell: Nickel Plating.

**Electrical:**  
Current Rating: 1.0A/Contact Terminal.  
Voltage Rating: 30V DC  
Contact Resistance: 50mΩ Max.  
Dielectric Withstanding Voltage:  
300 V AC AT Sea Level.  
Insulation Resistance: 100MΩ Min.  
Connector Mate and Unmated Force  
Mate Force: 3.0kgf Max.  
Unmated Force: 0.7kgf Min.  
Terminal Retention: 0.5kgf Min.

**Order Information**

L-KLS1- 233 - 0 - 0 - 0 - R

RoHS \_\_\_\_\_  
Micro USB Female \_\_\_\_\_  
Post: 0-Without Post \_\_\_\_\_  
1-With Post \_\_\_\_\_  
Terminal Plated: \_\_\_\_\_  
0-Gold plated \_\_\_\_\_  
1-Tin plated \_\_\_\_\_  
Mylar: 0-Without Mylar \_\_\_\_\_  
1-With Mylar \_\_\_\_\_  
Packing: T-Tube P-Tray R-Tape on Reel \_\_\_\_\_

GENERAL TOLERANCE	PROJECTION		Description:
.X ±0.50	UNITS	mm	CONN RCPT 5POS MICRO USB SMD
.X ±0.25	SCALE	1:1	
.XX ±0.10	Draw by:	Jenny	KLS P/N: L-KLS1-233-X-X-X-X
ANGLE TOLERANCE	Check by:		NingBo KLS ELECTRONIC CO.,L TD.
.X ±5°	Date	2018-03-01	
.X ±3°	SHEET	1 OF 1	
.XX ±2°			